

Material

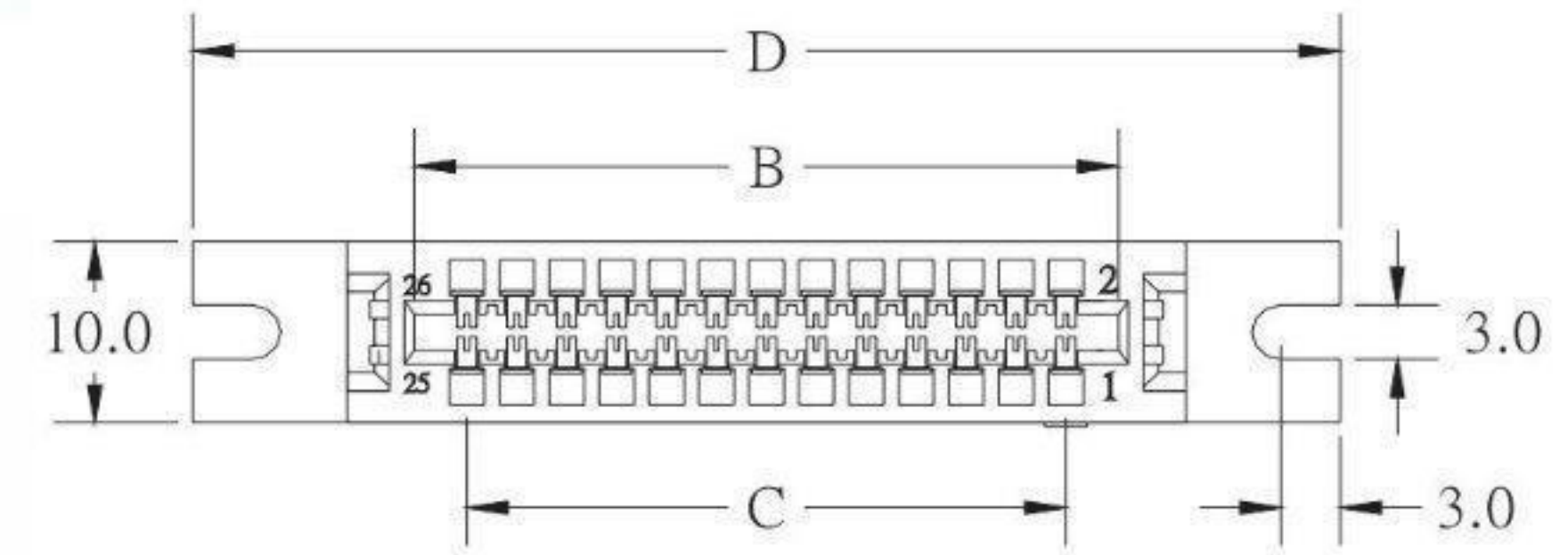
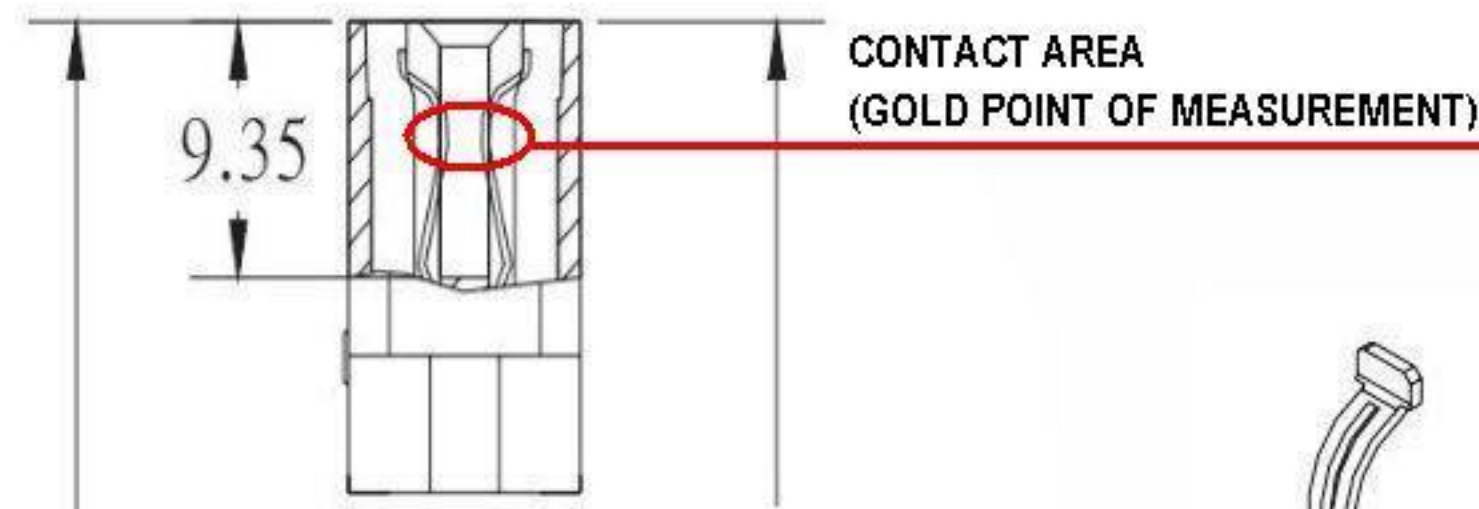
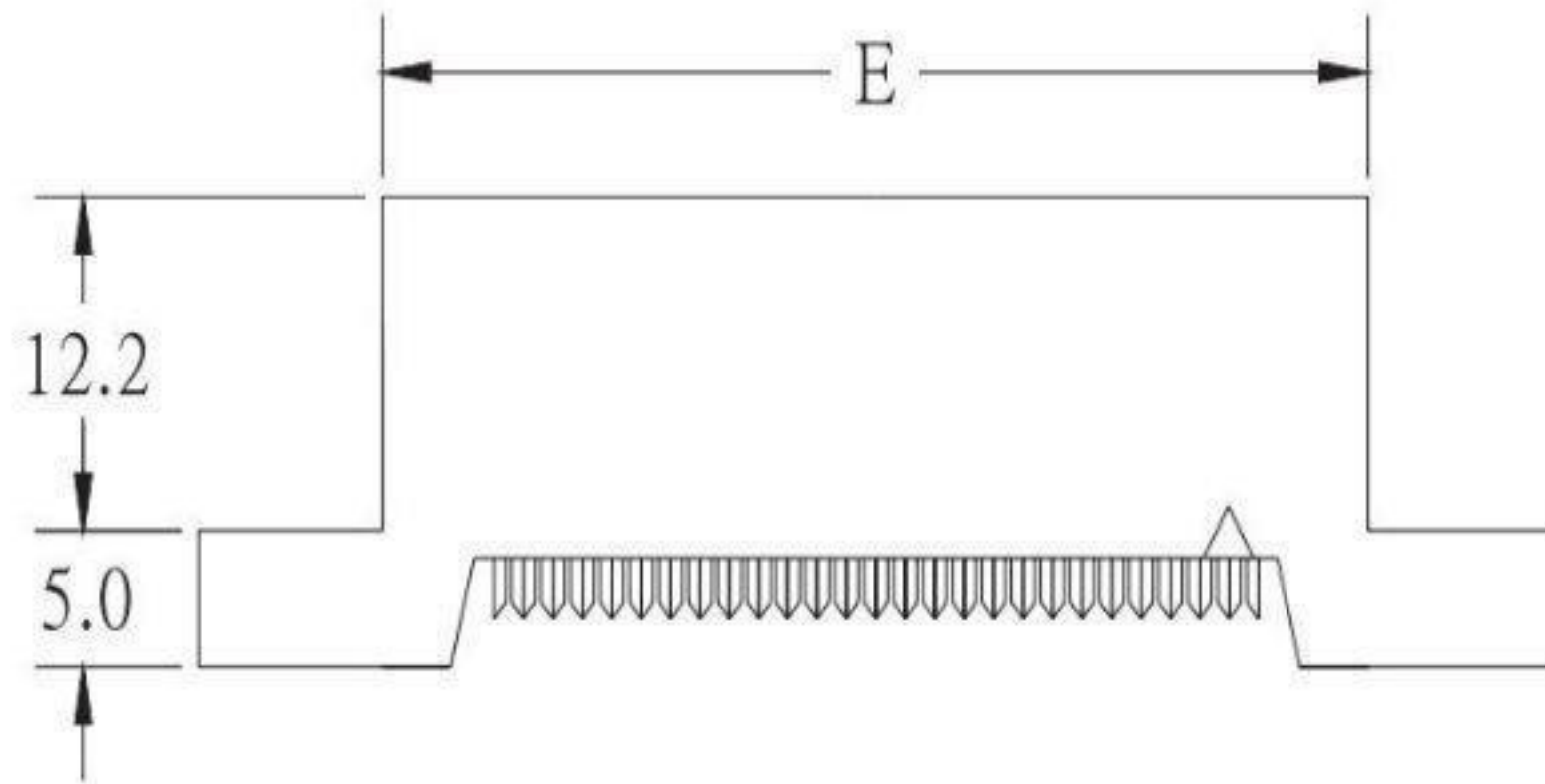
Insulator : PBT, glass reinforced, rated UL 94V-0
 Contact : Phosphor Bronze or Brass
 Contact Plating: Selective Gold Plating(0.6~0.8u"Min), Ni(30~40u" Min) underplating over

Electrical

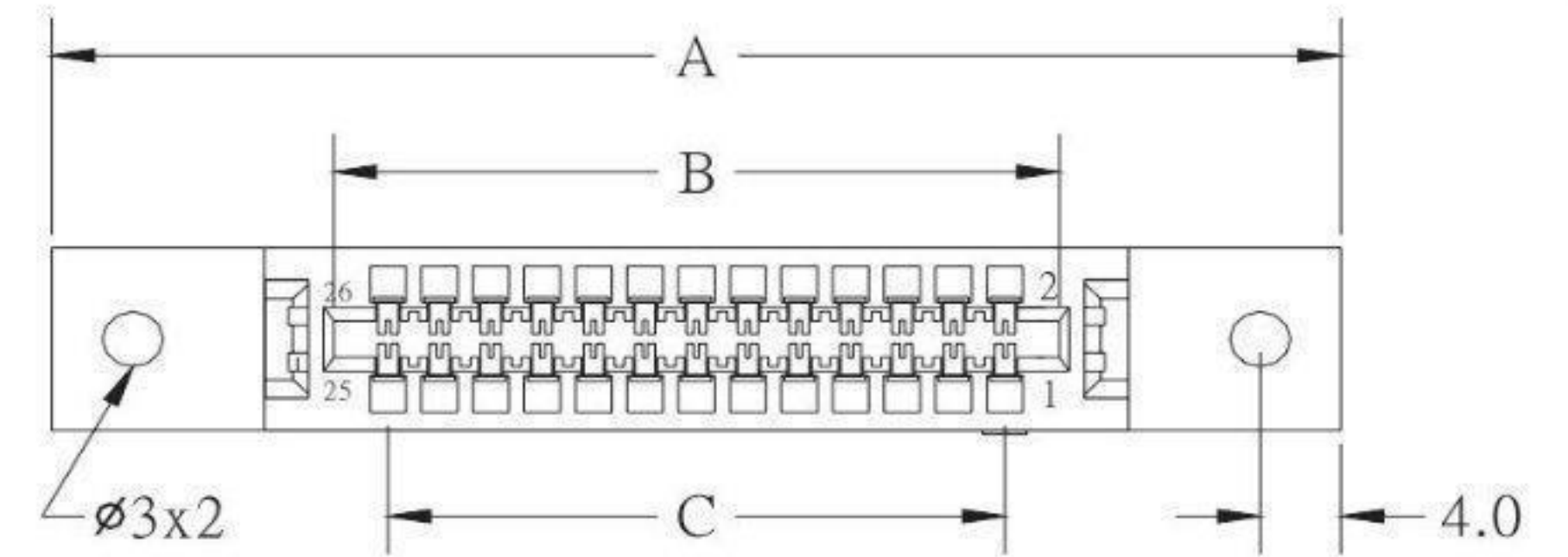
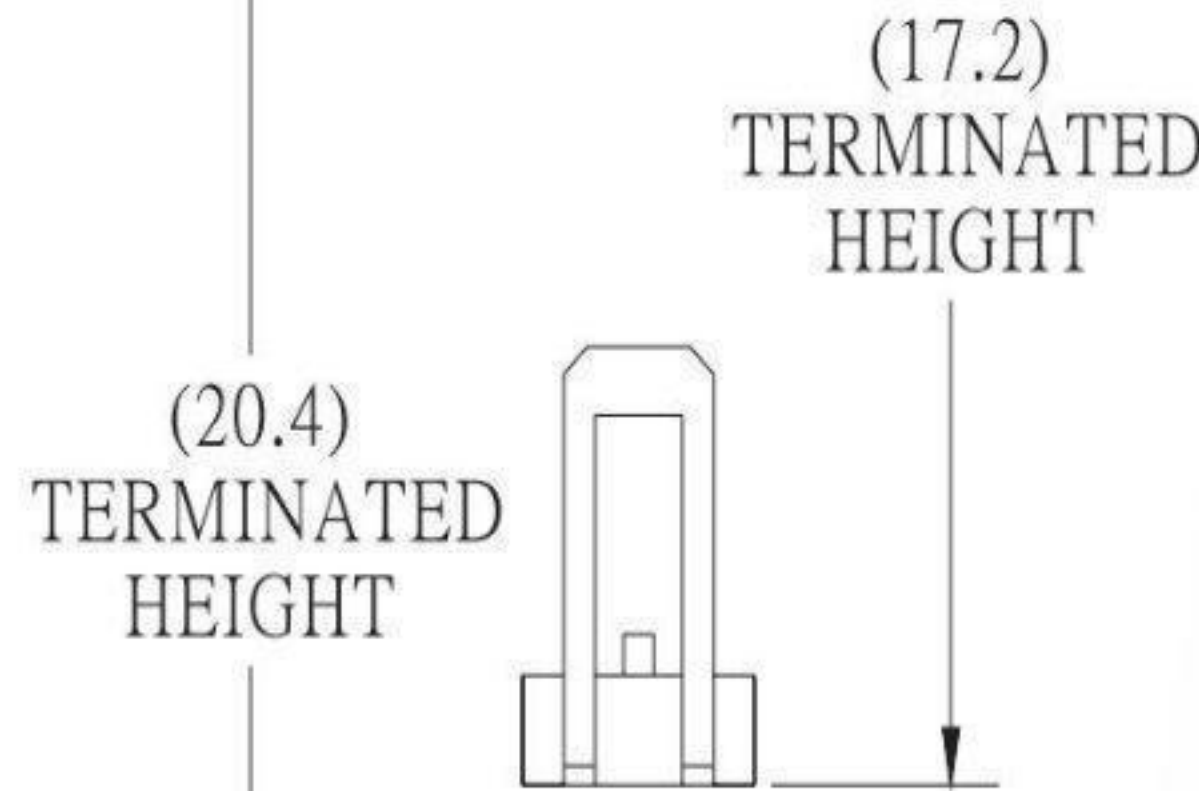
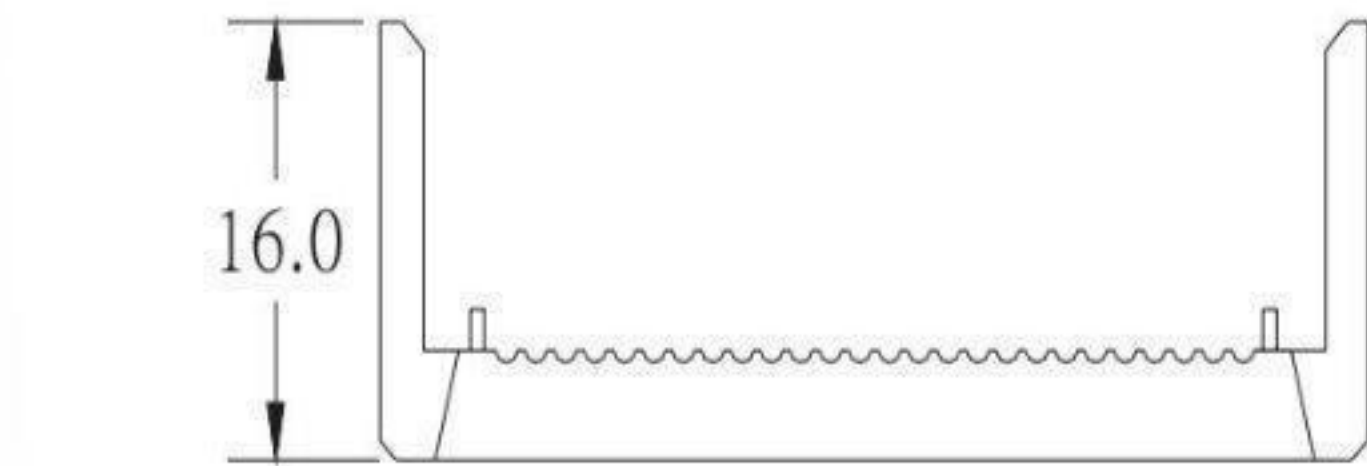
Current Rating : 1 Amp
 Contact Resistance : 30 mΩ max.
 Insulation Resistance : 3000 MΩ min.
 Dielectric Withstanding Voltage : 500V AC for 1 minute
 Operating Temperature : -40°C to +105°C

POSITION	A	B	C	D	E
10	43.06	15.50	10.16	38.06	22.36
14	48.14	20.58	15.24	43.14	27.44
16	50.68	23.12	17.78	45.68	29.98
20	55.76	28.20	22.86	50.76	35.06
26	63.38	35.82	30.48	58.38	42.68
34	73.54	45.98	40.64	68.54	52.84
40	81.16	53.60	48.26	76.16	60.46
50	93.86	66.30	60.96	88.86	73.16
60	106.56	79.00	73.66	101.10	85.86
62	109.10	81.54	76.20	104.10	88.40
64	111.64	84.08	78.74	106.64	90.94

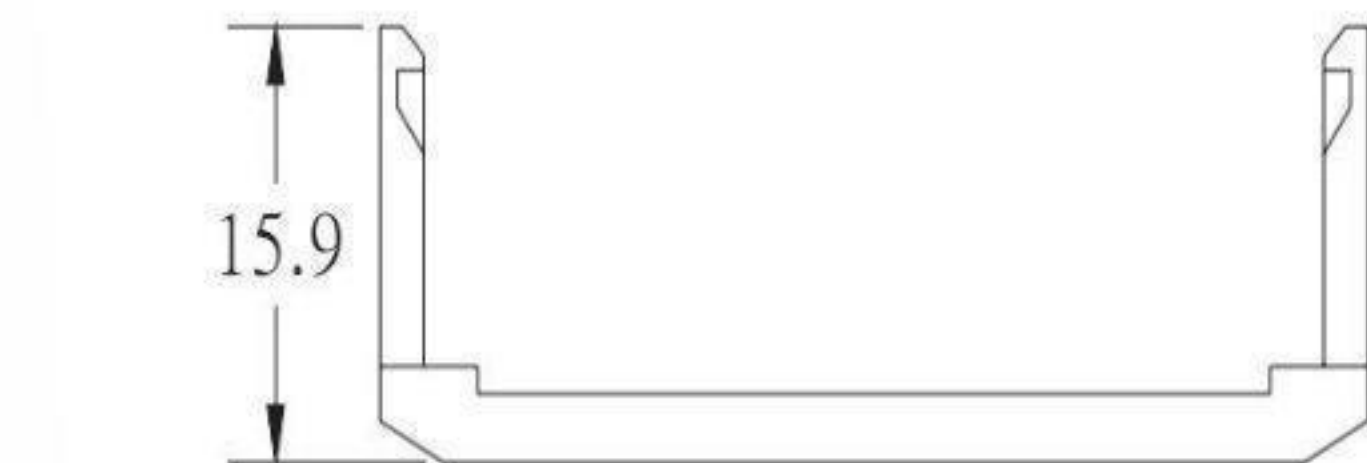
Remark -- Insulator Option:
A: 10, 14, 16, 20, 26, 34, 40, 50, 60, 64pin only.
B: 16, 20, 26, 34pin only.



(TYPE B) *WITH FORK MOUNTING EAR



(TYPE A) *WITH MOUNTING EAR



→OPTION:
 W/ OR W/O
 Strain Relief

RoHS Compliant		HSM 玄茂科技股份有限公司 HSUAN MAO TECHNOLOGY CO., LTD.	
APPD. 核准 DWG. 製圖 HELEN DATE 制表日 2011/11/15	SCALE 比例 參考 UNIT 單位 MM PAGE 張數 1 OF 1	TOLERANCE 容許公差 .0 ± 0.25 ANG. ± SIZE. 紙張尺寸 A4 REV. 版本 A	PART NAME 品名 IDC EDGE CARD W/EAR 2.54mm XXP BLACK INSULATOR ROHS PART NO. 料號 C2909-XXXXXXB0R