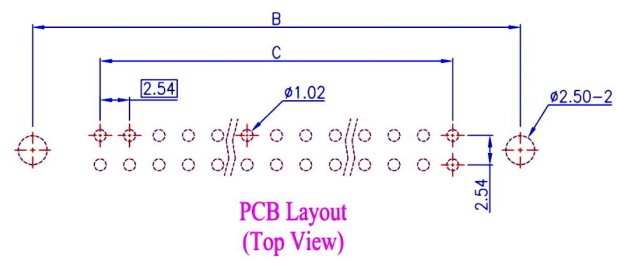
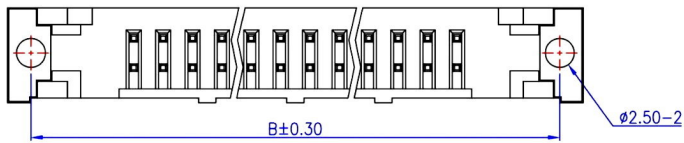
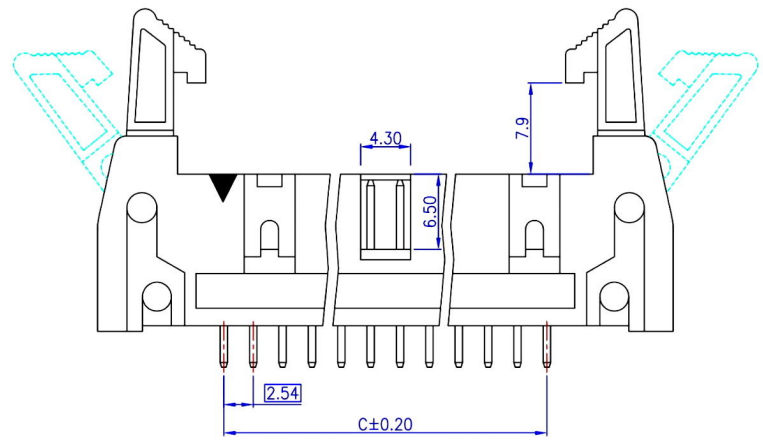
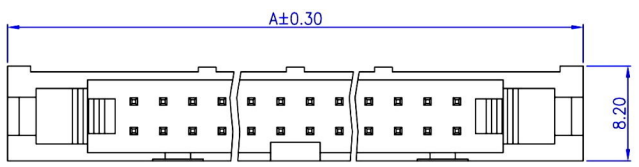
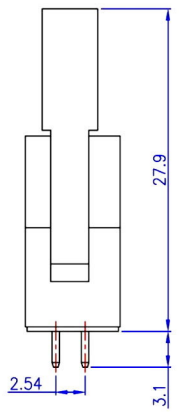
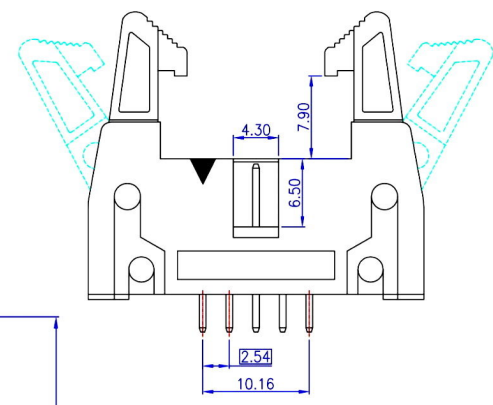


1 2 3 4 5 6 7 8

A  
B  
C  
D  
E  
F  
G  
H



10~16 Pin



**Material and Finish**

1. Housing: PBT (UL94V-0), Black. Gray.
2. Terminal: Sq. 0.64mm Copper Alloy, Gold Plating.

**Electrical Characteristics**

1. Current Rating: 3.0 Amp. Max..
2. Dielectric Withstand Voltage:  
1000V AC RMS for 60Seconds.
3. Insulation Resistance:  
1000M Ohms Min. at 1000V DC.

**Mechanical Characteristics**

1. Operating Temperature: -55°C ~ +105°C

Dimensions							
Pos.	A	B	C	Pos.	A	B	C
10	32.00	27.94	10.16	26	52.32	48.26	30.48
12	34.54	30.48	12.70	30	57.40	53.34	35.56
14	37.08	33.02	15.24	34	62.48	58.42	40.64
16	39.62	35.56	17.78	40	70.10	66.04	48.26
20	44.70	40.64	22.86	50	82.80	78.74	60.96
24	49.78	45.72	27.94				

RoHS  
Compliant

**HSM** 玄茂科技股份有限公司  
**HSUAN MAO TECHNOLOGY CO., LTD.**

APPD.  
核准 HELEN

DWG.  
製圖 ABBY

DATE 制表日  
2017/10/13

SCALE  
比例 參考

UNIT  
單位 MM

PAGE  
張數 1 OF 1

TOLERANCE  
容許公差  
0.0 ±0.30  
0.00 ±0.20  
0.000 ±0.10

SIZE  
紙張尺寸 A 4

REV.  
版次 A

PART NAME 品名  
FULLY SHROUDED HEADER ASSEMBLY  
2.54mm X 2.54mm XXP LONG LOCK  
STRAIGHT TYPE GOLD FLASH PLATING  
ROHS

PART NO.  
料號 C3000-XXSLGX00R

1 2 3 4 5 6 7 8