

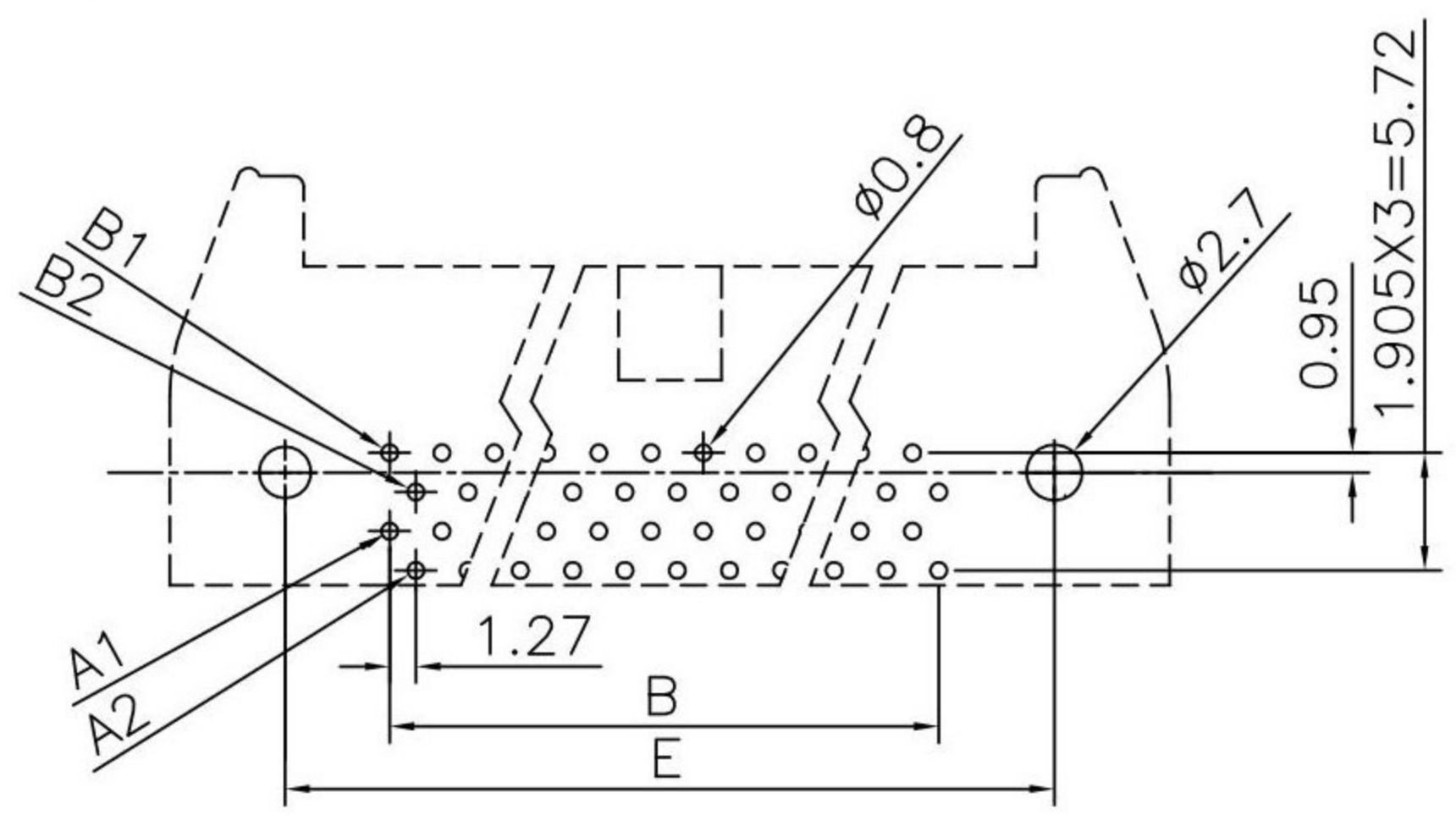
MATERIAL:

Housing: Thermoplastic Polyester Glass Filled UL94V-0.
 Contacts: Copper Alloy.

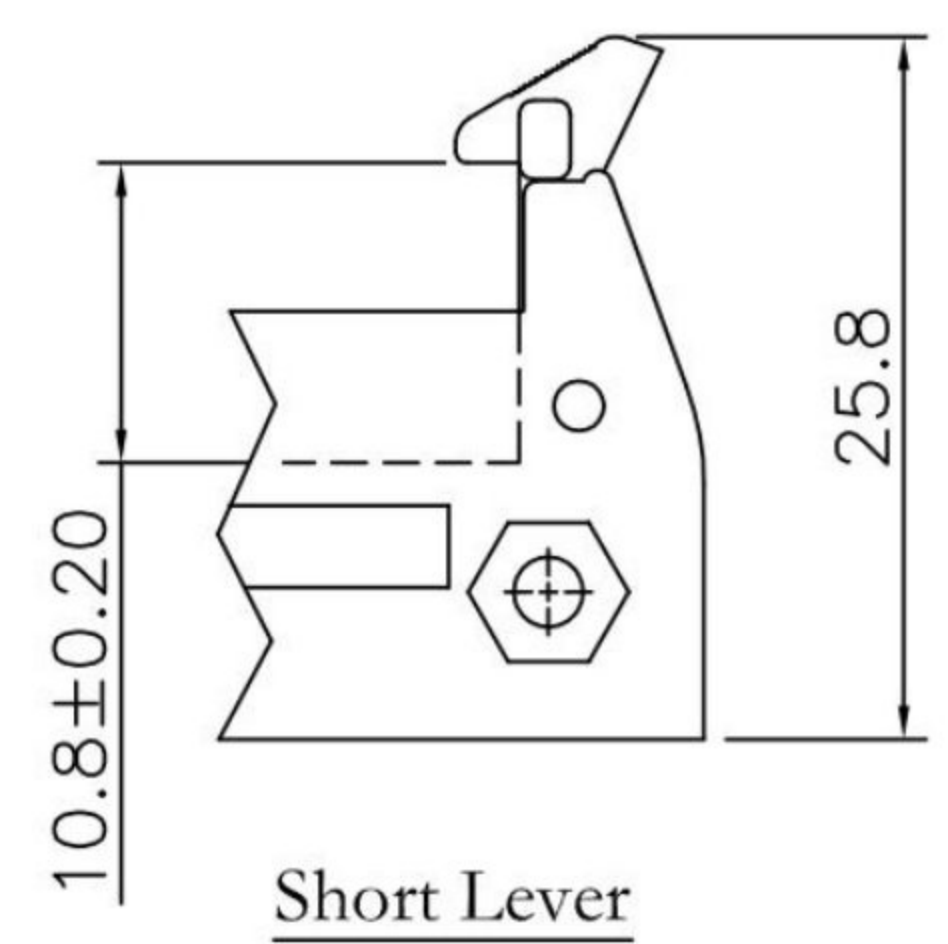
ELECTRICAL CHARACTERISTICS:

Current Rating: 1 AMP.
 Dielectric Withstanding Voltage: AC 500V For 1 minute.
 Insulator Resistance: 1000MΩ min. at DC 500V.
 Contact Resistance: 20mΩ max. at DC 100mA.
 Operating Temperature: -55°C~+105°C.

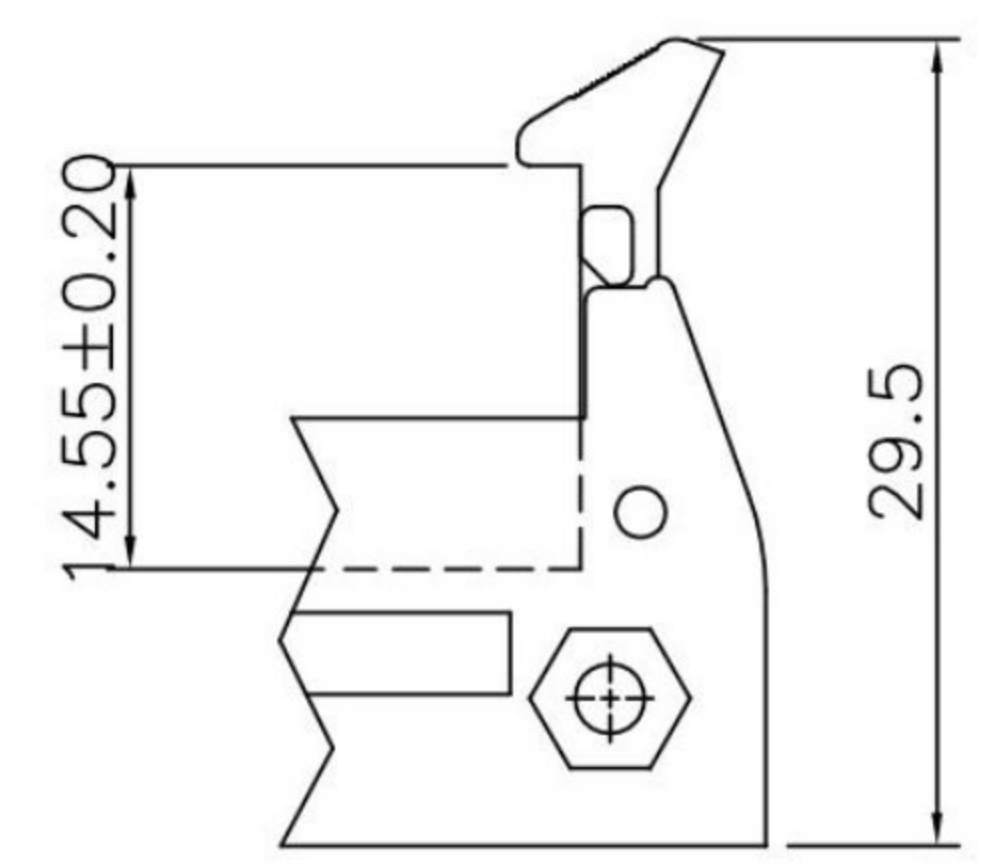
PIN	DIMENSION				
	A	B	C	D	E
20	32.36	11.43	29.35	18.75	21.59
26	36.18	15.24	33.16	22.56	25.40
32	39.98	19.05	36.97	26.37	29.21
34	41.25	20.32	38.24	27.64	30.48
40	45.06	24.13	42.05	31.45	34.29
50	51.41	30.48	48.40	37.80	40.64
52	52.68	31.75	49.67	39.07	41.91
60	57.76	36.83	54.75	44.15	46.99
68	62.84	41.91	59.83	49.23	52.07
80	70.46	49.53	67.45	56.85	59.69
100	83.16	62.23	80.25	69.55	72.39



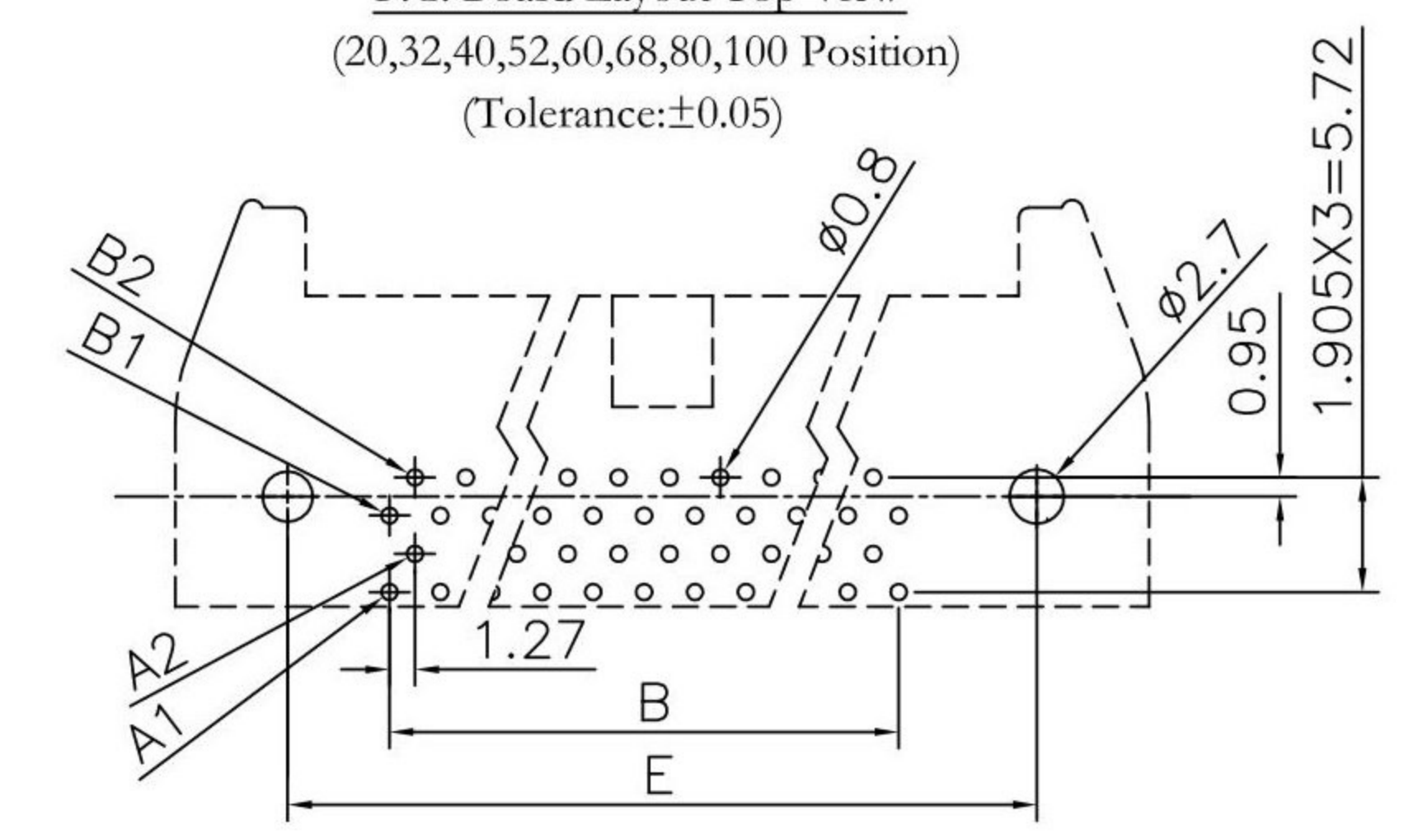
P.C. Board Layout Top View
 (20,32,40,52,60,68,80,100 Position)
 (Tolerance:±0.05)



Short Lever



Long Lever



P.C. Board Layout Top View
 (26,34,50 Position)
 (Tolerance:±0.05)

RoHS
Compliant

HSM 玄茂科技股份有限公司
HSUAN MAO TECHNOLOGY CO., LTD.

APPD. 核准 Betty
 DWG. 製圖 Betty
 DATE 制表日 2012/07/23

Tolerances
 x = ±0.5
 .x = ±0.25
 .xx = ±0.15
 SCALE 比例 參考
 UNIT 單位 MM
 PAGE 張數 1 OF 1
 SIZE. 紙張尺寸 A 4
 REV. 版次 A

PART NAME 品名
 FULLY SHROUDED HEADER ASSEMBLY
 1.27mm X 2.54mm XXP RIGHT ANGLE TYPE
 BLACK COLOR ROHS
 PART NO. 料號 C3002-XXRXXB00R