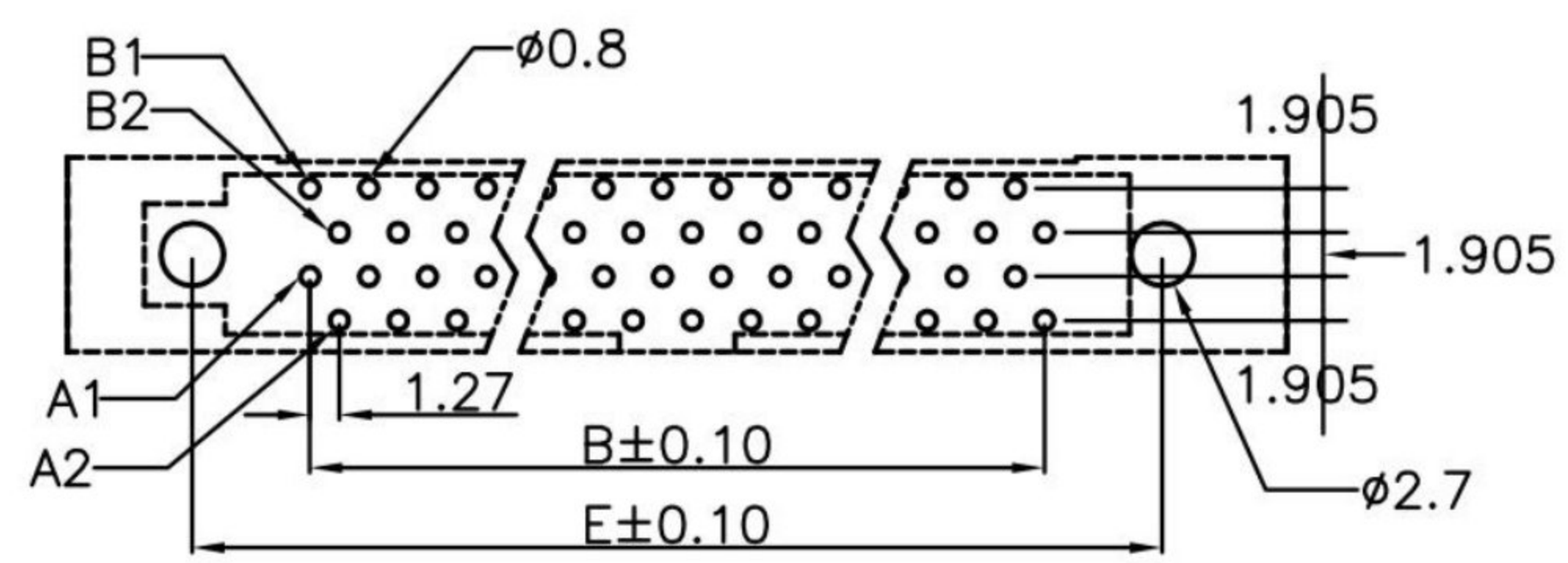
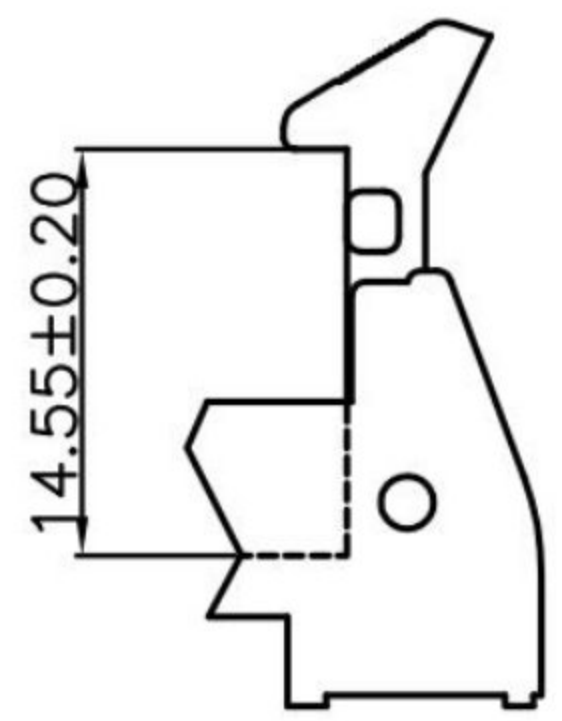
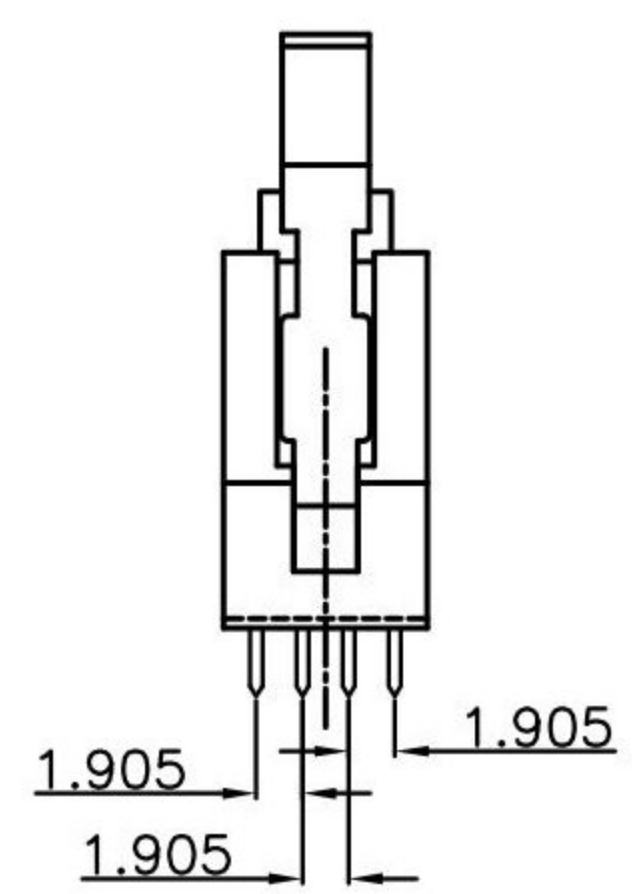
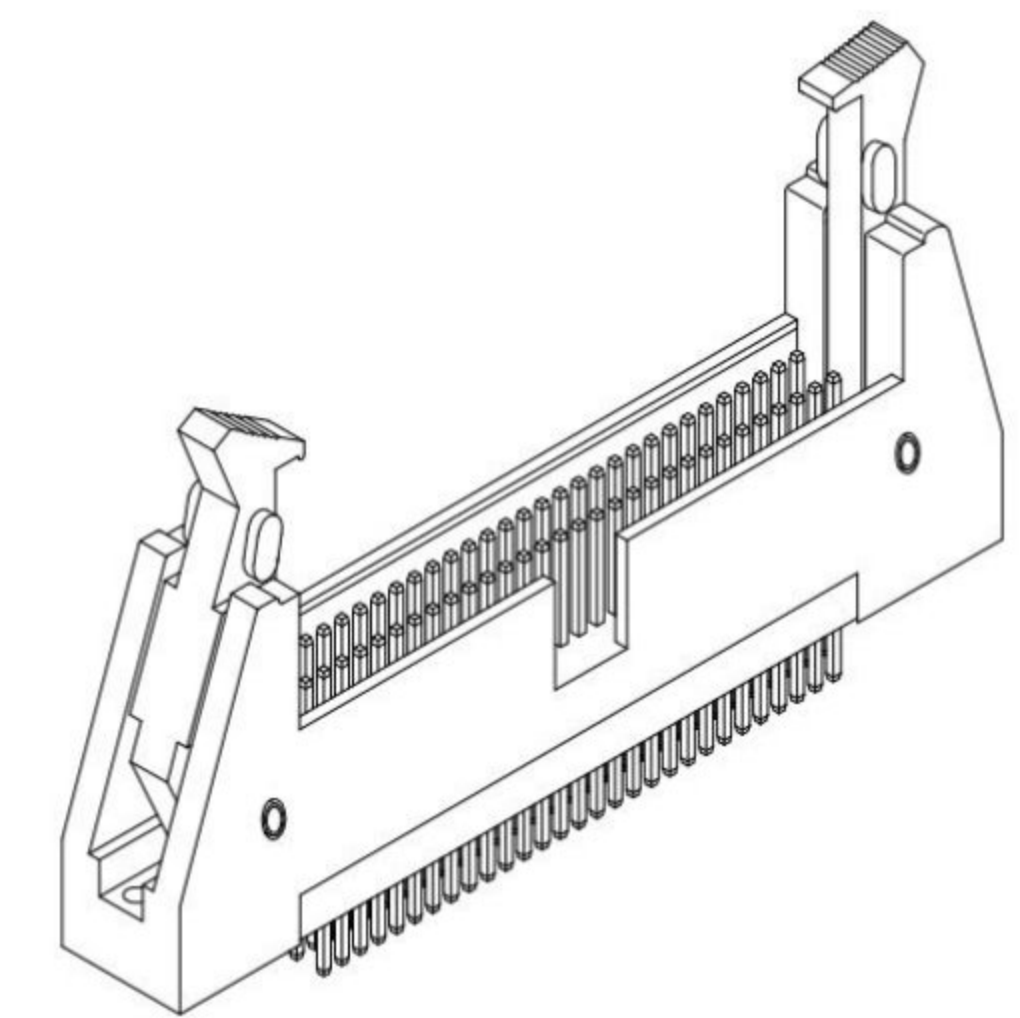


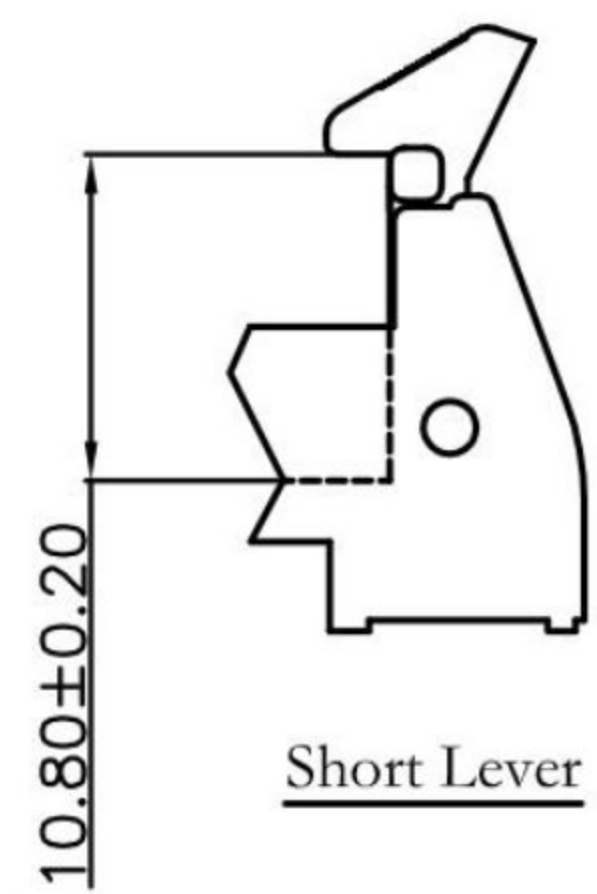
P.C. Board Layout Top View  
(26,34,50 Position)



P.C. Board Layout Top View  
(20,32,40,52,60,68,80,100 Position)



Long Lever



Short Lever

**Material:**

Housing: Thermoplastic Polyester Glass Filled UL94V-0.

Contacts: Copper Alloy.

**Electrical Characteristics:**

Current Rating: 1.0 AMP.

Dielectric Withstanding Voltage: AC 500V for 1 minuter.

Insulator Resistance: 1000MΩ min. at DC 500V.

Contact Resistance: 20mΩ max. at DC 100mA.

Operating Temperature: -55°C~+105°C.

Position	Dimension				
	A	B	C	D	E
20	32.36	11.43	29.35	18.75	21.59
26	36.18	15.24	33.16	22.56	25.40
32	39.98	19.05	36.97	26.37	29.21
34	41.25	20.32	38.24	27.64	30.48
40	45.06	24.13	42.05	31.45	34.29
50	51.41	30.48	48.40	37.80	40.64
52	52.68	31.75	49.67	39.07	41.91
60	57.76	36.83	54.75	44.15	46.99
68	62.84	41.91	59.83	49.23	52.07
80	70.46	49.53	67.45	56.85	59.69
100	83.16	62.23	80.25	69.55	72.39

<p>RoHS Compliant</p>		<p><b>HSM</b> 玄茂科技股份有限公司 HSUAN MAO TECHNOLOGY CO., LTD.</p>	
<p>APPD. 核准 Betty</p>		<p>Tolerances x = ±0.5 .x = ±0.25 .xx = ±0.15</p>	<p>PART NAME 品名 FULLY SHROUDED HEADER ASSEMBLY 1.27mm X 2.54mm XXP STRAIGHT TYPE BLACK COLOR ROHS</p>
<p>DWG. 製圖 Betty</p>	<p>SCALE 比例 參考</p>	<p>UNIT 單位 MM</p>	<p>SIZE. 紙張尺寸 A4</p>
<p>DATE 制表日 2012/07/23</p>	<p>PAGE 張數 1 OF 1</p>	<p>REV. 版次 A</p>	<p>PART NO. 料號 C3002-XXSXXB00R</p>