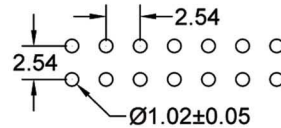
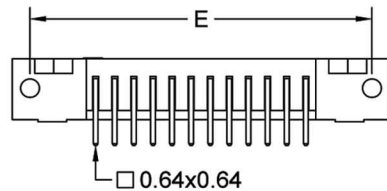
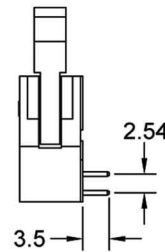
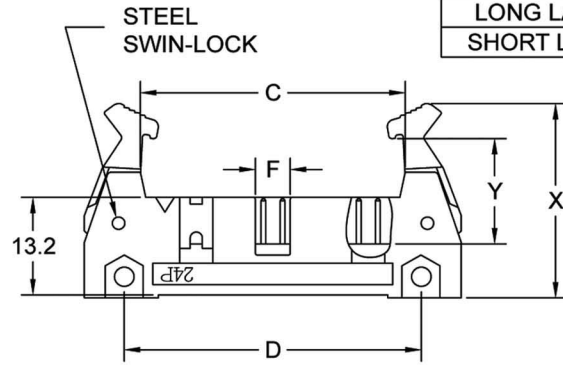
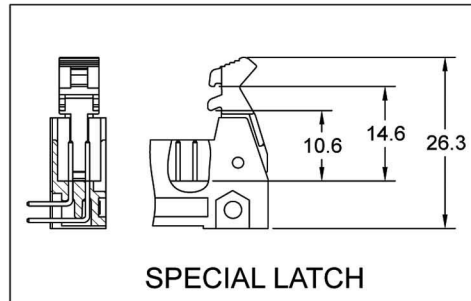
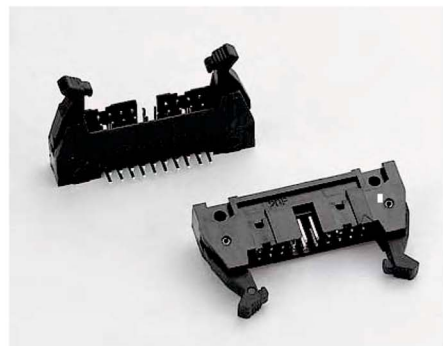


ACCESSORIES	X	Y
LONG LATCH	26.3	14.6
SHORT LATCH	24.7	10.6



RECOMMENDED P.C.B LAYOUT



SPECIAL LATCH

SPECIFICATIONS

Material

Insulator : PBT, glass reinforced, rated UL 94V-0
Contact : Brass

Electrical

Current Rating : 2 Amp
Contact Resistance : 30 mΩ max.
Insulation Resistance : 3000 MΩ min.
Dielectric Withstanding Voltage : 500V AC for 1minute
Operating Temperature : -40°C to +105°C

POSITION	A	B	C	D	E	F
6	27.16	5.08	12.77	16.49	22.44	2.9
8	29.70	7.62	15.31	19.03	24.98	2.9
10	32.24	10.16	17.85	21.57	27.52	4.6
12	34.78	12.70	20.39	24.11	30.06	4.6
14	37.32	15.24	22.93	26.65	32.60	4.6
16	39.86	17.78	25.47	29.19	35.14	4.6
20	44.94	22.86	30.55	34.27	40.22	4.6
24	50.02	27.94	35.63	39.35	45.30	4.6
26	52.56	30.48	38.17	41.89	47.84	4.6
30	57.64	35.56	43.25	46.97	52.92	4.6
34	62.72	40.64	48.33	52.05	58.00	4.6
40	70.34	48.26	55.95	59.67	65.62	4.6
44	75.42	53.34	61.03	64.75	70.70	4.6
50	83.04	60.96	68.65	72.37	78.32	4.6
60	95.74	73.66	81.35	85.07	91.02	4.6
64	100.82	78.74	86.43	90.15	96.10	4.6

RoHS
Compliant

HSM 玄茂科技股份有限公司
HSUAN MAO TECHNOLOGY CO., LTD.

APPD.
核准



TOLERANCE
容許公差

PART NAME 品名

DWG.
製圖

Hedy

SCALE
比例 參考

.0 ±
.00 ±
ANG. ±

2.54mm X 2.54mm SHROUDED HEADER WITH LOCK
2XXXP LONG LATCH 90° GOLD PLATING
BLACK COLOR ROHS

DATE 制表日

2016/05/06

UNIT
單位 M M

SIZE.
紙張尺寸 A 4

PART NO.

料號 C3010-XXRXXB00R

PAGE
張數 1 / 1

REV.
版次 B