

ACCESSORIES	X	Y
LONG LATCH	26.3	14.6
SHORT LATCH	24.7	10.6

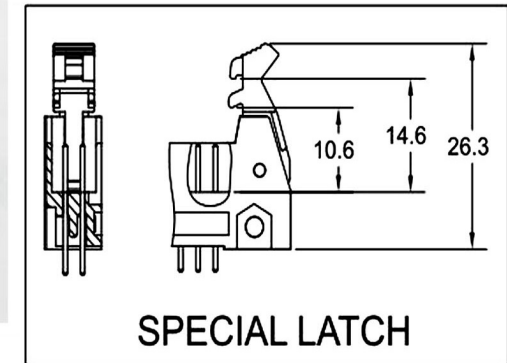
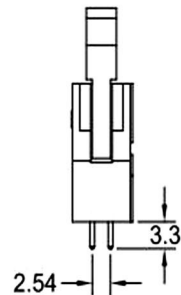
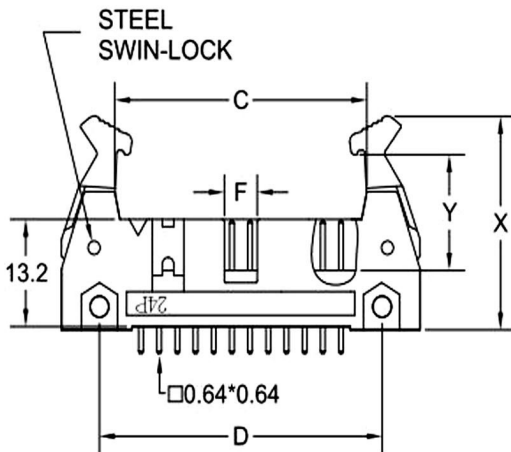
### SPECIFICATIONS

#### Material

Insulator : PBT, glass reinforced, rated UL 94V-0  
Contact : Brass

#### Electrical

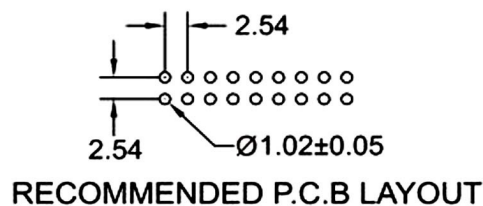
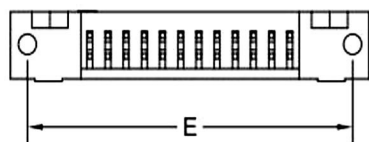
Current Rating : 2 Amp  
Contact Resistance : 30 mΩ max.  
Insulation Resistance : 3000 MΩ min.  
Dielectric Withstanding Voltage : 500V AC for 1minute  
Operating Temperature : -40°C to +105°C



C	3010	—	06	S	S	G	B	0	0	R
1	2		3	4	5	6	7	8	9	10

- |   |   |                                 |                     |
|---|---|---------------------------------|---------------------|
| 1. PRODUCTS:<br>C: Connector  | 5. BODY OPTION:<br>L: Long Latch<br>S: Short Latch                  | 7. INSULATOR COLOR:<br>B: Black | 8. FILL IT WITH "0" |
| 2. SERIES NO.:<br>3010  | 6. CONTACT PLATING:<br>T: Tin<br>S: Selective Gold<br>G: Gold Flash |                                 | 9. FILL IT WITH "0" |
| 3. CONTACT NO.:<br>06, 08, 10, 12, 14<br>16, 20, 24, 26, 30<br>34, 40, 44, 50, 60<br>64 |   |                                 | 10. R: RHS          |
| 4. CONTACT TYPE:<br>S: Straight<br>R: Right Angle                                       |   |                                 |                     |

POSITION	A	B	C	D	E	F
6	27.16	5.08	12.77	16.49	22.44	2.9
8	29.70	7.62	15.31	19.03	24.98	2.9
10	32.24	10.16	17.85	21.57	27.52	4.6
12	34.78	12.70	20.39	24.11	30.06	4.6
14	37.32	15.24	22.93	26.65	32.60	4.6
16	39.86	17.78	25.47	29.19	35.14	4.6
20	44.94	22.86	30.55	34.27	40.22	4.6
24	50.02	27.94	35.63	39.35	45.30	4.6
26	52.56	30.48	38.17	41.89	47.84	4.6
30	57.64	35.56	43.25	46.97	52.92	4.6
34	62.72	40.64	48.33	52.05	58.00	4.6
40	70.34	48.26	55.95	59.67	65.62	4.6
44	75.42	53.34	61.03	64.75	70.70	4.6
50	83.04	60.96	68.65	72.37	78.32	4.6
60	95.74	73.66	81.35	85.07	91.02	4.6
64	100.82	78.74	86.43	90.15	96.10	4.6



<b>RoHS Compliant</b>	<b>玄茂科技股份有限公司</b> <b>HSUAN MAO TECHNOLOGY CO., LTD.</b>		
	APPD. 核准 DWG. 製圖 DATE 2016/01/08	SCALE 比例 參考 UNIT 單位 M M PAGE 1 OF 1	TOLERANCE 容許公差 0 ± 0.30 .00 ± 0.20 ANG. ± 3° SIZE. 紙張尺寸 A 4 REV. 版次 B