

SPECIFICATIONS

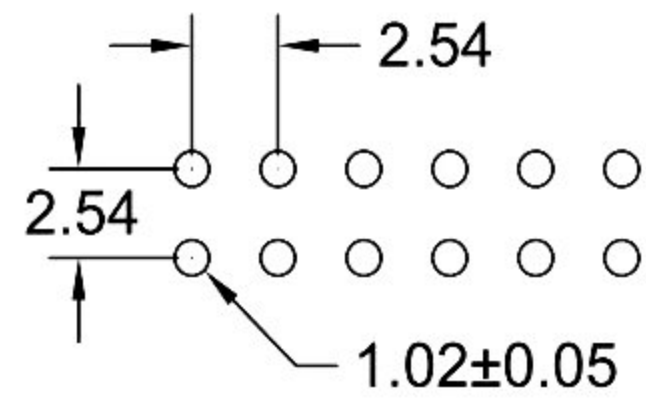
Material

Insulator : PBT, glass reinforced, rated UL 94V-0
 Contact : Brass

Electrical

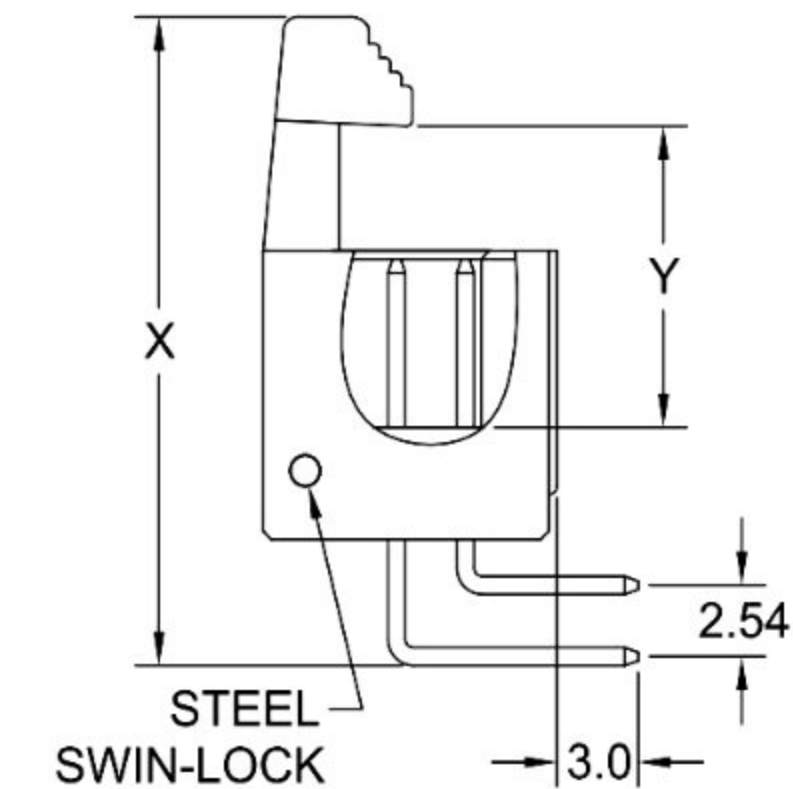
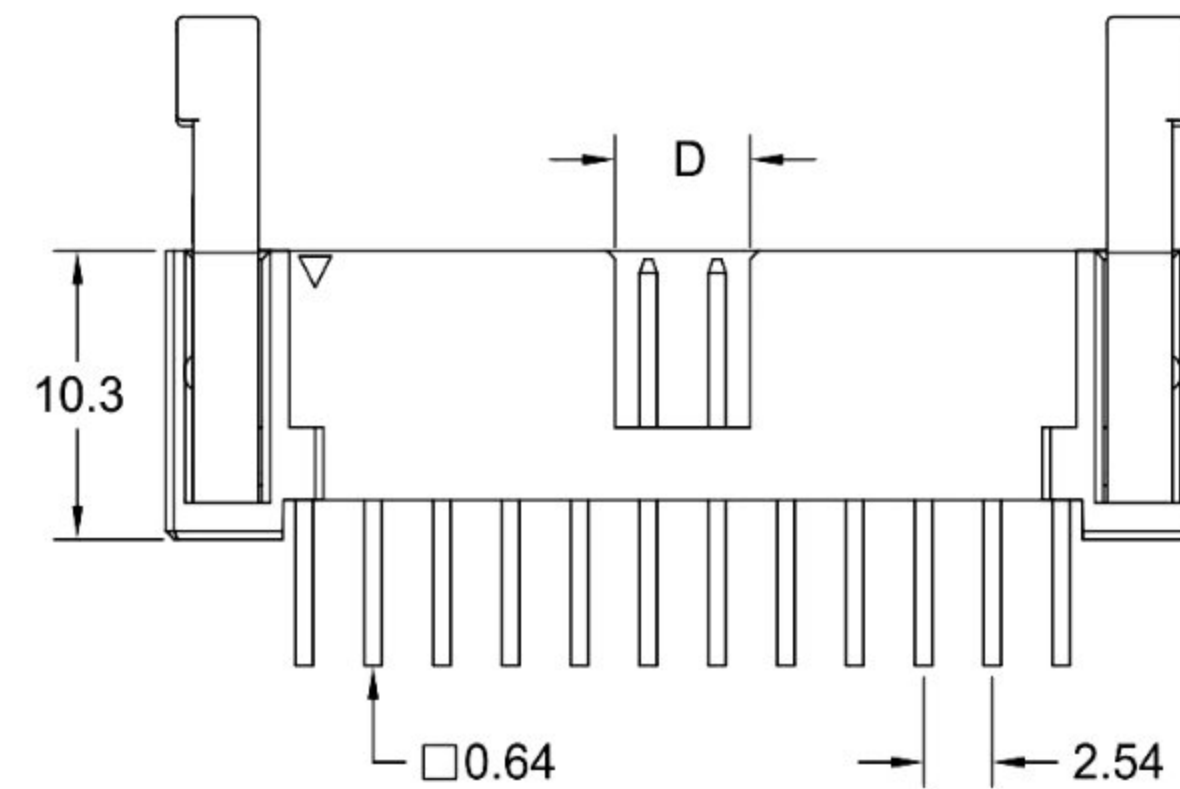
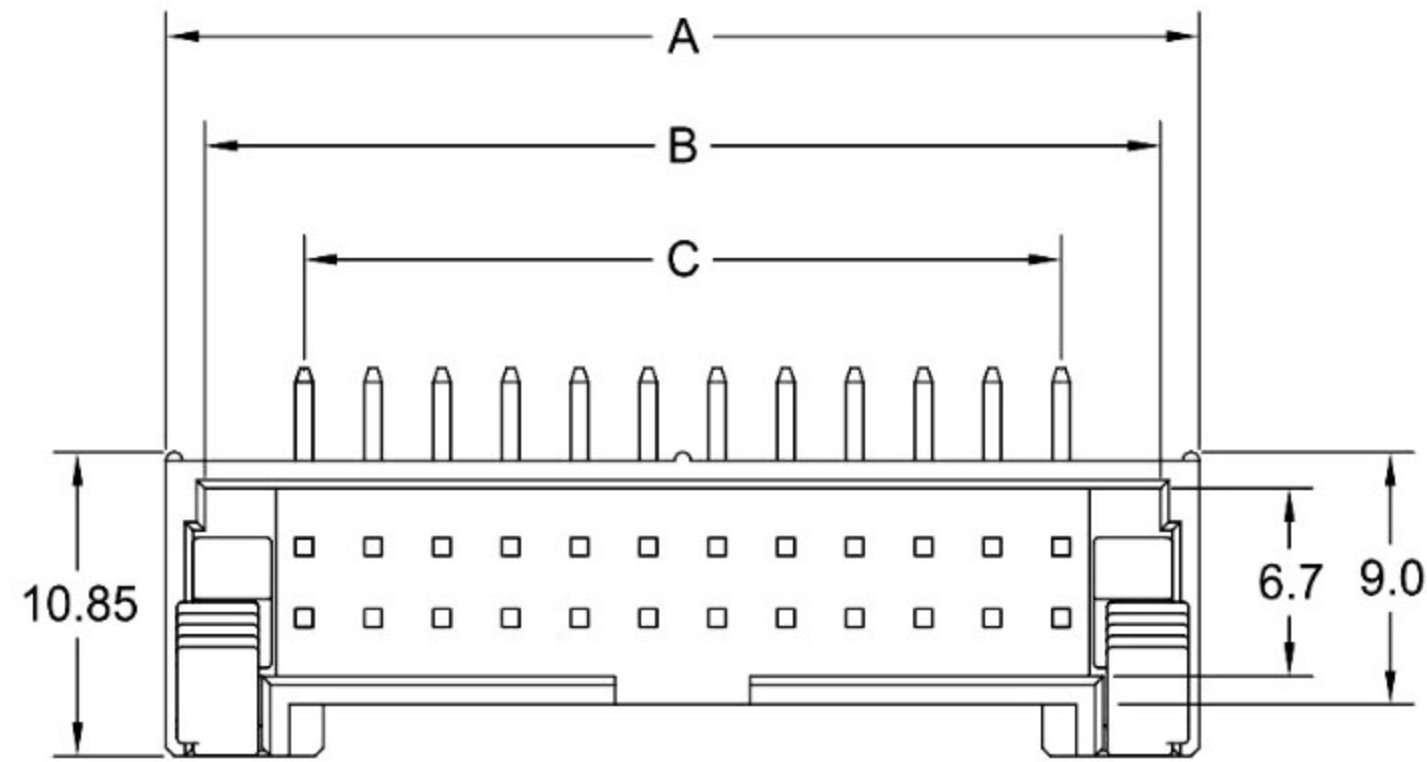
Current Rating : 2 Amp
 Contact Resistance : 30 mΩ max.
 Insulation Resistance : 3000 MΩ min.
 Dielectric Withstanding Voltage : 500V AC for 1minute
 Operating Temperature : -40°C to +105°C

ACCESSORIES	X	Y
LONG LATCH	26.6	14.6
SHORT LATCH	23.2	10.6



RECOMMENDED P.C.B LAYOUT

POSITION	A	B	C	D
6	15.28	12.42	5.08	2.30
8	17.82	14.96	7.62	2.30
10	20.36	17.50	10.16	5.00
12	22.90	20.04	12.70	5.00
14	25.44	22.58	15.24	5.00
16	27.98	25.12	17.78	5.00
20	33.06	30.20	22.86	5.00
24	38.14	35.28	27.94	5.00
26	40.68	37.82	30.48	5.00
30	45.76	42.90	35.56	5.00
34	50.84	47.98	40.64	5.00
40	58.46	55.60	48.26	5.00
50	71.16	68.30	60.96	5.00
60	83.86	81.00	73.66	5.00
64	88.94	86.08	78.74	5.00



RoHS Compliant		HSM 玄茂科技股份有限公司 HSUAN MAO TECHNOLOGY CO., LTD.	
APPD. 核准 HELEN		TOLERANCE 容許公差 .0 ± .00 ± ANG. ±	PART NAME 品名 2.54mm X 2.54mm SHROUDED HEADER WITH PLASTIC EJECTOR 2XXXP RIGHT ANGLE TYPE BLACK INSULATOR ROHS
DWG. 製圖 ABBY	SCALE 比例 參考	UNIT 單位 MM	SIZE 紙張尺寸 A4
DATE 制表日 2016/03/15	PAGE 張數 1 OF 1	REV. 版本 B	PART NO. 料號 C3011-XXRXXB00R