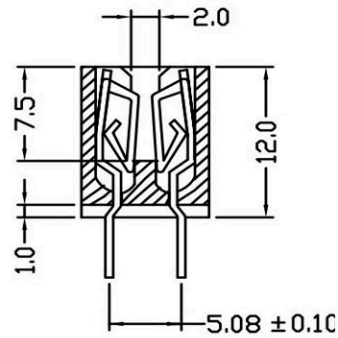


DIP TYPE

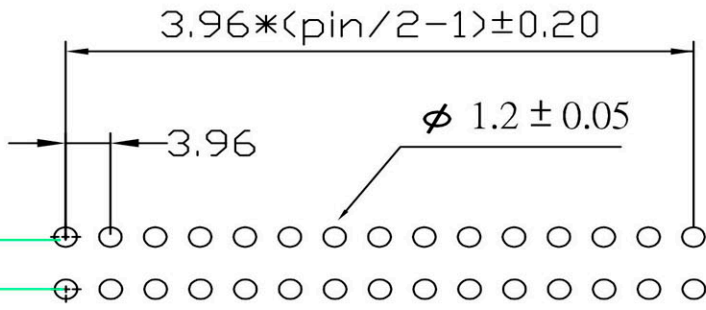


■ MATERIAL
 INSULATOR: PBT +30% GLASS FIBER (UL94V-0).
 CONTACT: BRASS
 PLATING: GOLD OVER NICKEL.

■ SPECIFICATION
 CURRENT RATING: 3 AMP.
 INSULATION RESISTANCE: 5000 MEGOHMS MIN AT 500 VDC
 CONTACT RESISTANCE: 20 MILLIOHMS MAX.
 VOLTAGE : 500V FOR ONE MINUTE.

■ ENVIRONMENTAL
 TEMPERATURE RANGE: -40°C TO +125°C.

Circuit	Dimension			Circuit	Dimension		
	A	B	C		A	B	C
10	15.84	24.06	27.40	64	122.76	130.98	134.32
12	19.80	28.02	31.36	70	134.64	142.86	146.20
16	27.72	35.94	39.28	72	138.60	146.82	150.16
20	35.64	43.86	47.20				
24	43.56	51.78	55.12				
26	47.52	55.74	59.08				
28	51.48	59.70	63.04				
30	55.44	63.66	67.00				
32	59.40	67.62	70.96				
36	67.32	75.54	78.88				
40	75.24	83.46	86.80				
44	83.16	91.38	94.72				
48	91.08	99.30	102.64				
50	95.04	103.26	106.60				
56	106.92	115.14	118.48				
60	114.84	123.06	126.40				
62	118.80	127.02	130.36				



RoHS Compliant		HSM 玄茂科技股份有限公司 HSUAN MAO TECHNOLOGY CO., LTD.	
APPD. 核准		TOLERANCE 容許公差 0 ± 0.3 .00 ± 5° ANG. ± 5°	PART NAME 品名 3.96mm CARD EDGE SLOT DUAL ROW XXP DIP TYPE ROW PITCH:5.08mm WITHOUT EAR WITHOUT PLUGGED KEY GOLD FLASH PLATING BLUE INSULATOR PBT MATERIAL ROHS
DWG. 製圖 <i>Helen</i>	SCALE 比例 參考	UNIT 單位 MM	PART NO. 料號 C3231-XXBPGNL0R
DATE 制表日 2015/4/24	PAGE 張數 1 OF 1	REV. 版本 A	