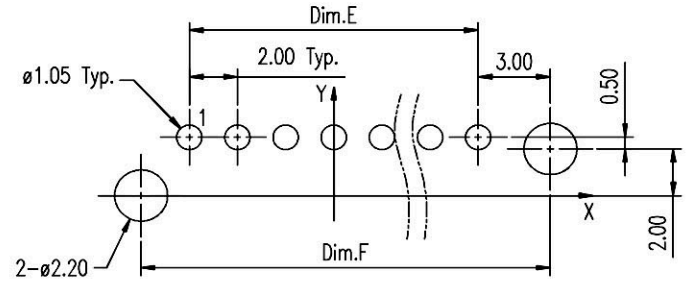


Notes:

- Material:
Housing: Thermoplastic UL 94V-0, Black
Terminal: Copper Alloy, T = 0.25
- Finish:
△ Terminal: Selected Gold on Contact Area, G/F or 100u" Min. Tin on Solder Tails, Both over 50u" Min. Nickel Under-plated Overall

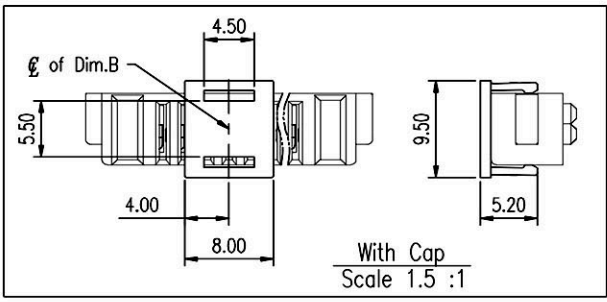


Recommended P.C.B. Layout
Layout Tolerance = ± 0.05mm

Dimension Information:

Amount of Pins	Dim.A	Dim.B	Dim.C	Dim.D	Dim.E	Dim.F
4	20.00	17.00	14.20	10.50	6.00	11.00
5	22.00	19.00	16.20	12.50	8.00	13.00
7	26.00	23.00	20.20	16.50	12.00	17.00
8	28.00	25.00	22.20	18.50	14.00	19.00
9	30.00	27.00	24.20	20.50	16.00	21.00

(OPTIONAL)



RoHS Compliant		HSM 玄茂科技股份有限公司 HSUAN MAO TECHNOLOGY CO., LTD.	
APPD. 核准 Betty DWG. 製圖 Lena DATE 制表日 2020/8/25	TOLERANCE 容許公差 X ±0.38 X° ±10° XX ±0.25 X° ±5° XXX ±0.13 XX° ±2°	PART NAME 品名 2.0mm Battery Connector Female XXPin Right Angle Dip Type Dip Length:1.2mm Contact Area:Gold 5U" Plating Dip Area:Gold Flash Plating Black Color ROHS	
UNIT 單位 MM PAGE 張數 1 OF 1	SCALE 比例 參考 SIZE 廠牌尺寸 A4 REV. 版本 A	PART NO. 料號 C3472-XXRA1ABX0R	