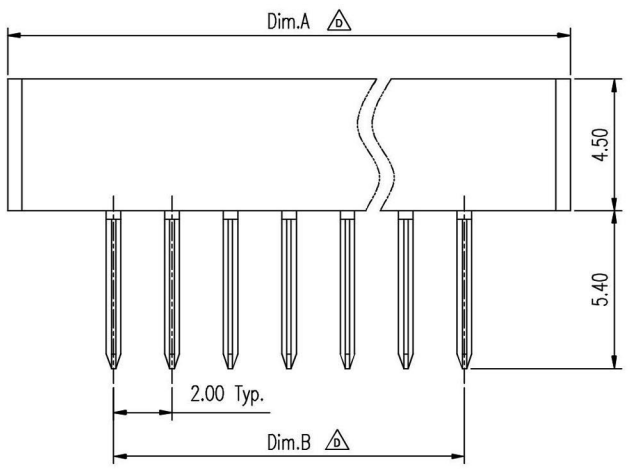


1 2 3 4 5 6 7 8

A



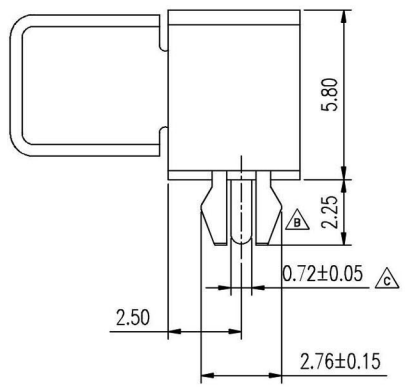
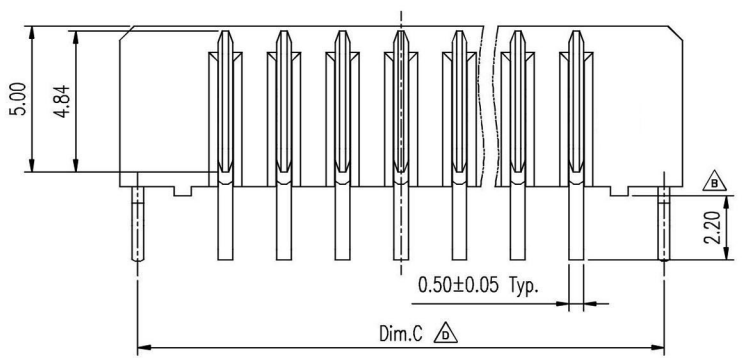
Notes:

- Material:
  - Housing: Thermoplastic UL 94V-0, Black
  - Terminal: Copper Alloy
  - Forklock: Copper Alloy
- Finished:
  - Terminal: 5u" Gold on Contact Area, Gold Flash on Solder Tails, Both over Nickel Under-plated Overall
  - Forklock: Gold Flash over Nickel Under-plated Overall

B

C

D



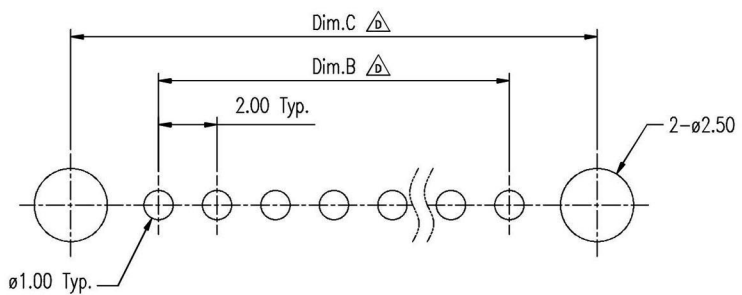
Dimension Information:

| Amount of Pins | Dim.A | Dim.B | Dim.C |
|----------------|-------|-------|-------|
| 6              | 17.25 | 10.00 | 16.00 |
| 7              | 19.25 | 12.00 | 18.00 |
| 10             | 25.25 | 18.00 | 24.00 |

E

F

G



Recommended P.C.B. Layout  
Layout Tolerance = ± 0.05mm

**RoHS Compliant** **HSM** 玄茂科技股份有限公司 **HSUAN MAO TECHNOLOGY CO., LTD.**

|                    |               |   |  |
|--------------------|---------------|---|--|
| APPD. 核准 Betty     |               | TOLERANCE 容許公差<br>X ±0.38 X° ±10°<br>XX ±0.25 X° ±5°<br>XXX±0.13 .XX° ±2° | PART NAME 品名<br>2.0MM BATTERY CONNECTOR MALE XXPIN RIGHT ANGLE<br>DIP TYPE DIP LENGTH:2.2MM WITH BOARDLOCK<br>CONTACT AREA:GOLD 5U" PLATING DIP AREA:GOLD FLASH<br>PLATING BLACK COLOR TUBE PACKING ROHS |
| DWG. 製圖 Lena       |               | SCALE 比例 參考   |  |
| DATE 制表日 2023/9/18 | UNIT 單位 MM    | SIZE. 紙張尺寸 A4   | PART NO. 料號 C3480-XXRA1BYBT0R  |
|                    | PAGE 張數 1 / 1 | REV. 版次 A   |  |

1 2 3 4 5 6 7 8

H

A

B

C

D

E

F

G

H