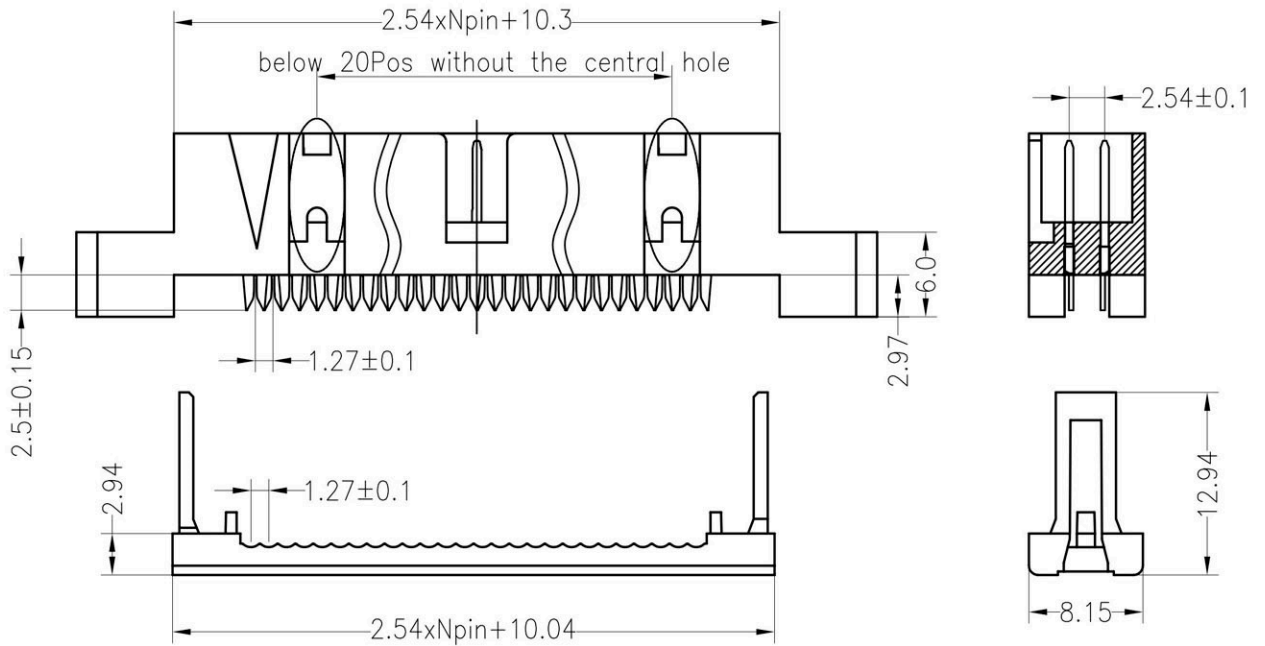
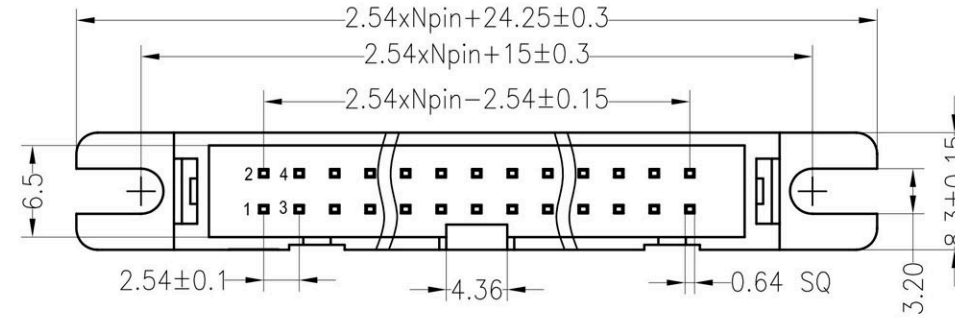


PART NO
08
10
14
16
20
24
26
30
34
40
50
60
64



SPECIFICATIONS

Rated Current: 3.0AMP
 Contact Resistance: 20mΩ Max
 Withstand Voltage: 1000V AC/DC
 Insulation Resistance: 1000MΩ Min
 Operation Temperature: -40°C to +105°C

Contact Material: Brass
 Contact Plating: Au or Sn Over Ni
 Insulator Material: Polyester (UL94V-0)
 Standard: PBT
 Max. Processing Temp: 180°C for 30-60 seconds
 (200°C for 10 seconds)

RoHS
Compliant

HSM 玄茂科技股份有限公司
HSUAN MAO TECHNOLOGY CO., LTD.

APPD. 核准	SCALE 比例 参考	TOLERANCE 容許公差	PART NAME 品名
DWG. 製圖 Helen		0 ± 0.3 .00 ± 0.2 ANG. ± 3°	
DATE 制表日 2015/10/8	UNIT 單位 MM	SIZE. 線規尺寸 A4	PART NO.
	PAGE 張數 1 OF 1	REV. 版本 A	料號 C3501-XXNYSG00R