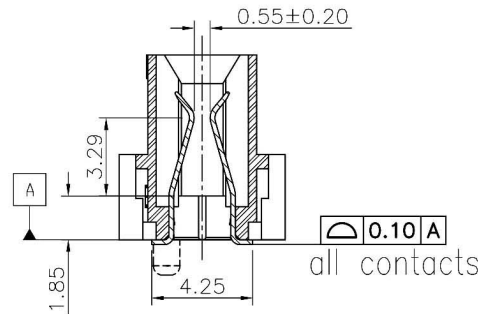
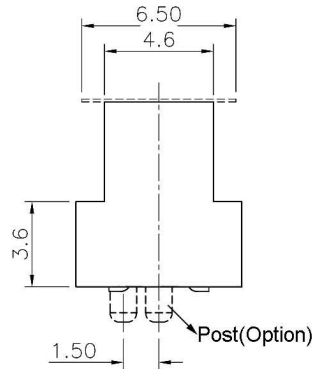
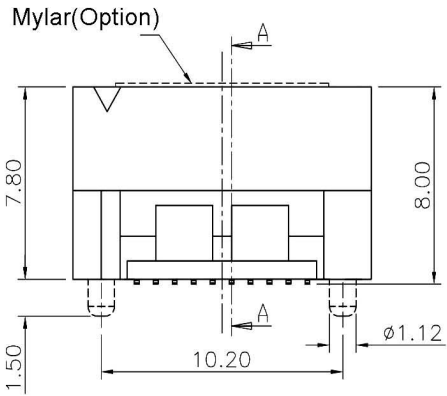
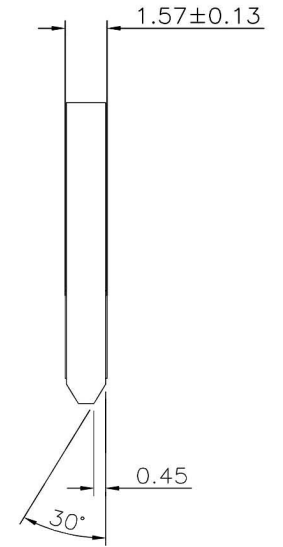


RECOMMENDED MATTING BOARD FOOTPRINT
(Tolerance: ±0.05)



Section A-A

Material and Plating :

Housing: LCP, UL94V-0, Black.

Contacts: Nickel Copper.

Gold Plated on Contact Area and 80u" Min Tin Plated on solder tail over Nickel 50u" Min.

Electrical Characteristics:

Current Rating: 3.1 AMP.

Dielectric Withstanding Voltage: AC 600V For 1 minute.

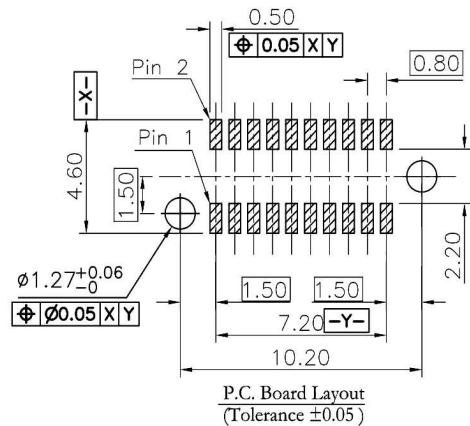
Insulator Resistance: 6000MΩ min. at DC 250V.

Contact Resistance: 8.4mΩ max. at DC 100mA.

Operating Temperature: -55°C~+125°C.

Insertion Depth: 3.15mm To 5.55mm.

Speed: 28+Gbps @-3dB.



P.C. Board Layout
(Tolerance ±0.05)

RoHS
Compliant

HSM 玄茂科技股份有限公司
HSUAN MAO TECHNOLOGY CO., LTD.

APPD. 核准
Betty
DATE 制表日
2019/09/10

SCALE 比例 参考
UNIT 單位 M M
PAGE 張數 1 OF 1

Tolerances
x = ±0.50
.x = ±0.25
.xx = ±0.15
SIZE 紙張尺寸 A 4
REV. 版次 A

PART NAME 品名
0.8mm High Speed Card Edge Connector
2X10Pin Material: LCP Without Front Key
Black Color ROHS
PART NO.
料號 C3551-20XNXNXBR