

Section A-A

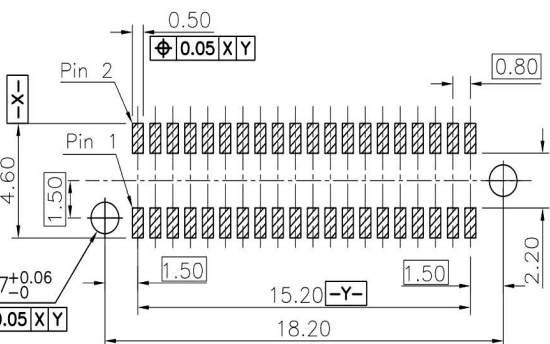
Material and Plating :

Housing: High Temperature Plastic UL94V-0.
 Contacts: Nickel Copper.
 Gold Plated on Contact Area and 80u" Min Tin Plated on solder tail over Nickel 50u" Min.

Electrical Characteristics:

Current Rating: 3.1 AMP.
 Dielectric Withstanding Voltage: AC 600V For 1 minute.
 Insulator Resistance: 6000MΩ min. at DC 250V.
 Contact Resistance: 8.4mΩ max. at DC 100mA.
 Operating Temperature: -55°C~+125°C.

Insertion Depth: 3.15mm To 5.55mm.
 Speed: 28+Gbps @-3dB.



P.C. Board Layout
(Tolerance ±0.05)

RoHS Compliant		HSM 玄茂科技股份有限公司 HSUAN MAO TECHNOLOGY CO., LTD.	
APPD. 核准	SCALE 比例 参考	Tolerances x = ±0.50 .x = ±0.25 .xx = ±0.15	PART NAME 品名 0.8mm High Speed Card Edge Connector 2X20Pin Material:LCP Without Front Key Black Color ROHS
DWG. 製圖 Betty	UNIT 單位 M M	SIZE. 紙張尺寸 A 4	PART NO. 料號 C3551-40XNXNXBR
DATE 制表日 2019/09/10	PAGE 張數 1 OF 1	REV. 版次 A	