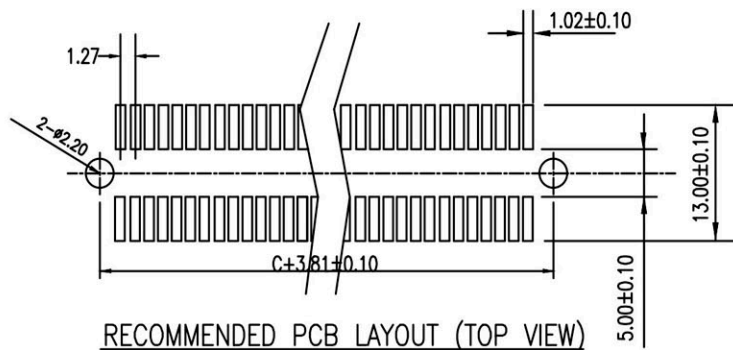
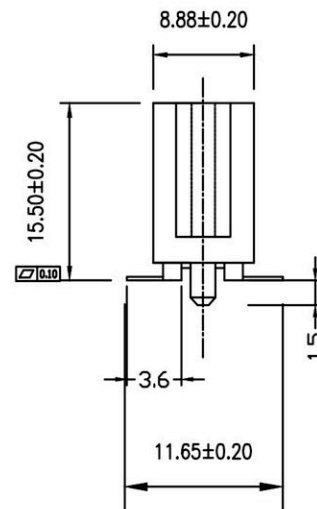


SECTION A-A



RECOMMENDED PCB LAYOUT (TOP VIEW)

MATERIAL

INSULATOR: HI-TEMP PPS UL 94V-0
 CONTACT: COPPER ALLOY.
 PLATING: MATING AREA - GOLD FLASH GOLD OVER NICKEL.
 SOLDER AREA - TIN OVER NICKEL.

ELECTRICAL

VOLTAGE RATING: 250 VAC RMS.
 CURRENT RATING: 1 AMP.
 DIELECTRIC WITHSTANDING VOLTAGE: 500 VAC RMS 60Hz FOR 1 MINUTE.
 INSULATION RESISTANCE: 1000 MEGOHMS MIN AT 500 VDC.
 CONTACT RESISTANCE: 30 MILLIOHMS MAX.

MECHANICAL

RETENTION FORCE: 460 GRAMS MIN PER CONTACT.
 INSERTION FORCE: 230 GRAMS MAX PER CONTACT PAIR.
 WITHDRAWAL FORCE: 15 GRAMS MIN PER CONTACT PAIR.

ENVIRONMENTAL

TEMPERATURE RANGE: -55°C TO +105°C.
 SOLDERABILITY: 260°C/10 sec

Circuit	Dimension			Circuit	Dimension		
	A	B	C		A	B	C
04	8.64	3.81	1.27	38	30.23	25.40	22.86
06	9.91	5.08	2.54	40	31.50	26.67	24.13
08	11.18	6.35	3.81	42	32.77	27.94	25.40
10	12.45	7.62	5.08	44	34.04	29.21	26.67
12	13.72	8.89	6.35	46	35.31	30.48	27.94
14	14.99	10.16	7.62	48	36.58	31.75	29.21
16	16.26	11.43	8.89	50	37.85	33.02	30.48
18	17.53	12.70	10.16	52	39.12	34.29	31.75
20	18.80	13.97	11.43	54	40.39	35.56	33.02
22	20.07	15.24	12.70	56	41.66	36.83	34.29
24	21.34	16.51	13.97	58	42.93	38.10	35.56
26	22.61	17.78	15.24	60	44.20	39.37	36.83
28	23.88	19.05	16.51	80	56.90	52.07	49.53
30	25.15	20.32	17.78	100	69.60	64.77	62.23
32	26.42	21.59	19.05	120	82.30	77.47	74.93
34	27.69	22.86	20.32	182	121.67	116.84	114.30
36	28.96	24.13	21.59				

RoHS
Compliant

HSM 玄茂科技股份有限公司
HSUAN MAO TECHNOLOGY CO., LTD.

APPD. 核准
 DWG. 製圖 Helen
 DATE 制表日 2022/12/2

SCALE 比例 參考
 UNIT 單位 MM
 PAGE 張數 1 OF 1

TOLERANCE 容許公差
 0 ± 0.35
 .00 ± 0.25
 ANG. ± 5°
 SIZE. 紙張尺寸 A4
 REV. 版本 A

PART NAME 品名
 1.27mm EDGE CARD CONNECTOR XXPIN SMT TYPE
 WITH PLASTIC POST SELECTIVE GOLD PLATING
 CONTACT MATERIAL: BRASS BLACK COLOR MATERIAL: PPS
 TUBE PACKING ROHS

PART NO.
 料號 C3609-XXDYSCBTR