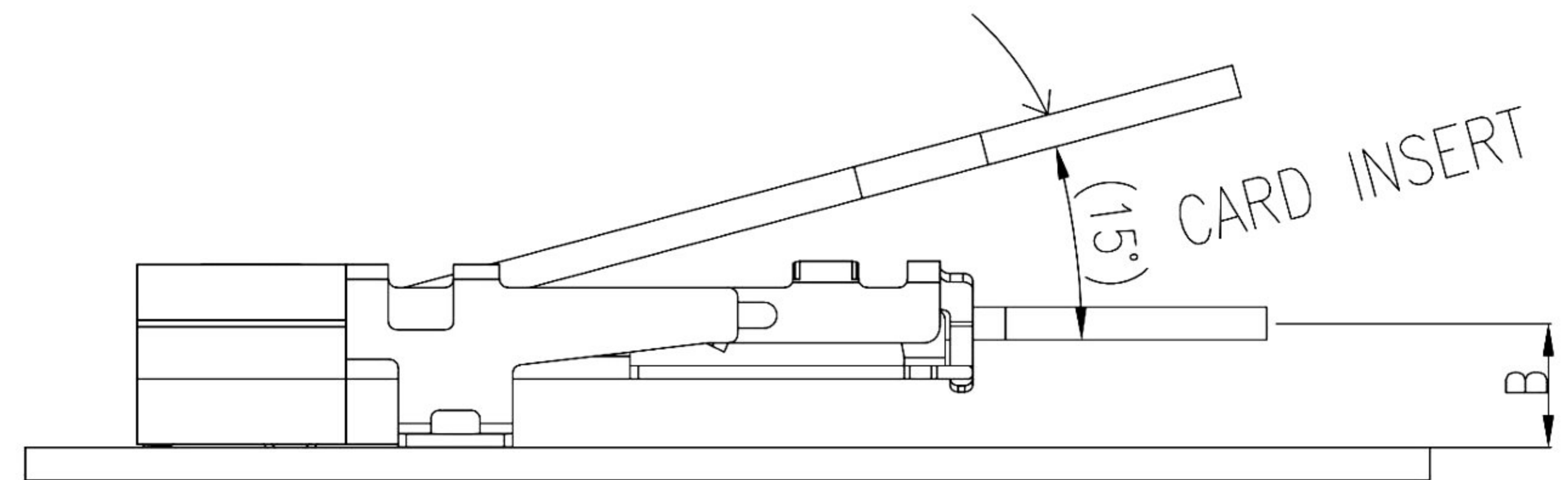
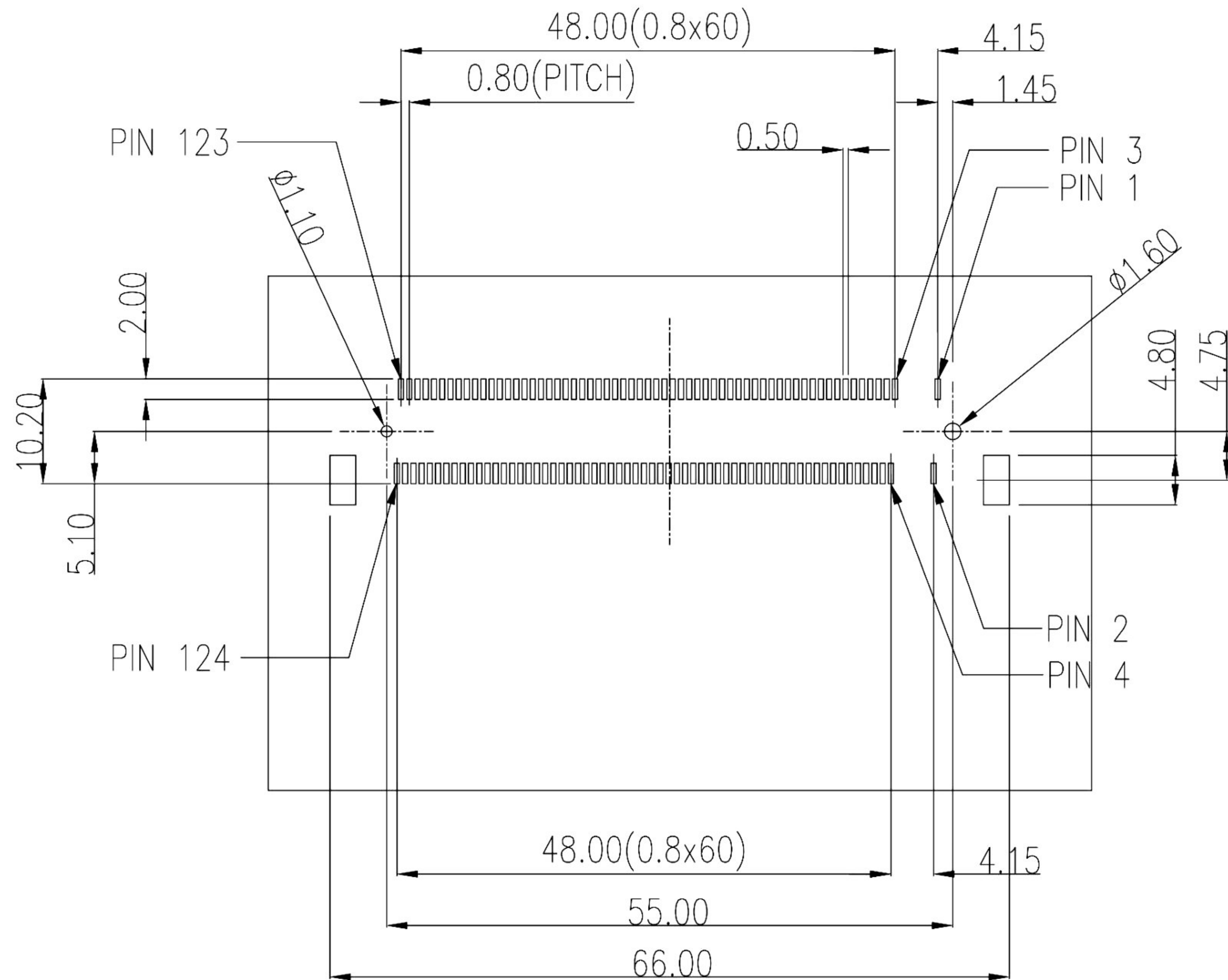


NOTES:

- Material:
- Housing: LCP, UL 94V-0 Rated.
- Color: Black.
- Contact: Phosphor Bronze.
- Plating: Gold Plating over Nickel on Contact Area.
Tin Plating on Solder Tail.
- Latched: Stainless Steel.
- Plating: Tin(80u" Min.) Plating over All.

H(mm)	A ± 0.25	B ± 0.25
5.2	5.2	3.4

RoHS Compliant		HSM 玄茂科技股份有限公司 HSUAN MAO TECHNOLOGY CO., LTD.	
APPD. 核准 HELEN		TOLERANCE 容許公差 .X $\pm .38$.XX $\pm .25$.XXX $\pm .20$ ANG. $\pm 3^\circ$	PART NAME 品名 0.8mm MINI PCI SOCKET 124P SMT 90° H=5.2mm 3.3V SELECTIVE GOLD BLACK INSULATOR ROHS
DWG. 製圖 ABBY	SCALE 比例 參考	UNIT 單位 MM	PART NO. 料號 C3610-C4BSB000R
DATE 制表日 2018/12/03	PAGE 張數 1 OF 2	REV. 版次 A	



RECOMMEND PC BOARD LAYOUT
GENERAL TOLERANCE: $\pm 0.05\text{mm}$

APPD. 核准 HELEN		 SCALE 比例 参考	TOLERANCE 容許公差 .X $\pm .38$.XX $\pm .25$.XXX $\pm .20$ ANG. $\pm 3^\circ$	PART NAME 品名 0.8mm MINI PCI SOCKET 124P SMT 90° H=5.2mm 3.3V SELECTIVE GOLD BLACK INSULATOR ROHS
DWG. 製圖 ABBY				
DATE 制表日 2018/12/03		PAGE 張數 2 OF 2	REV. 版次 A	PART NO. 料號 C3610-C4BSB000R

HSM 玄茂科技股份有限公司
HSUAN MAO TECHNOLOGY CO., LTD.