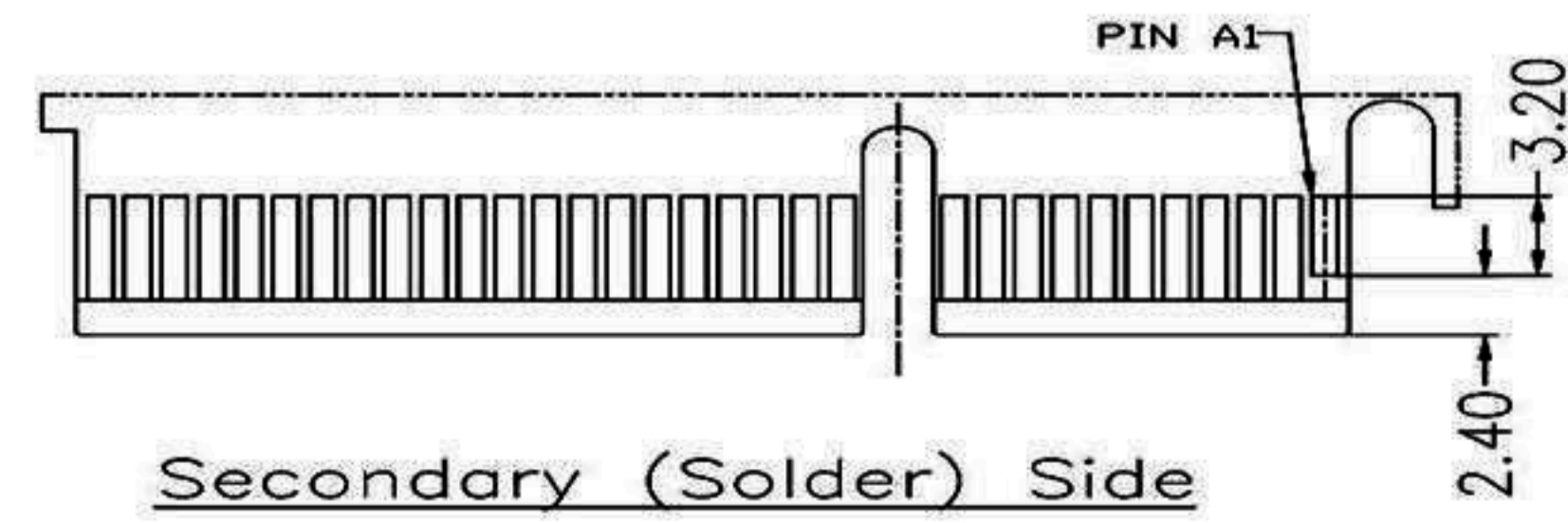
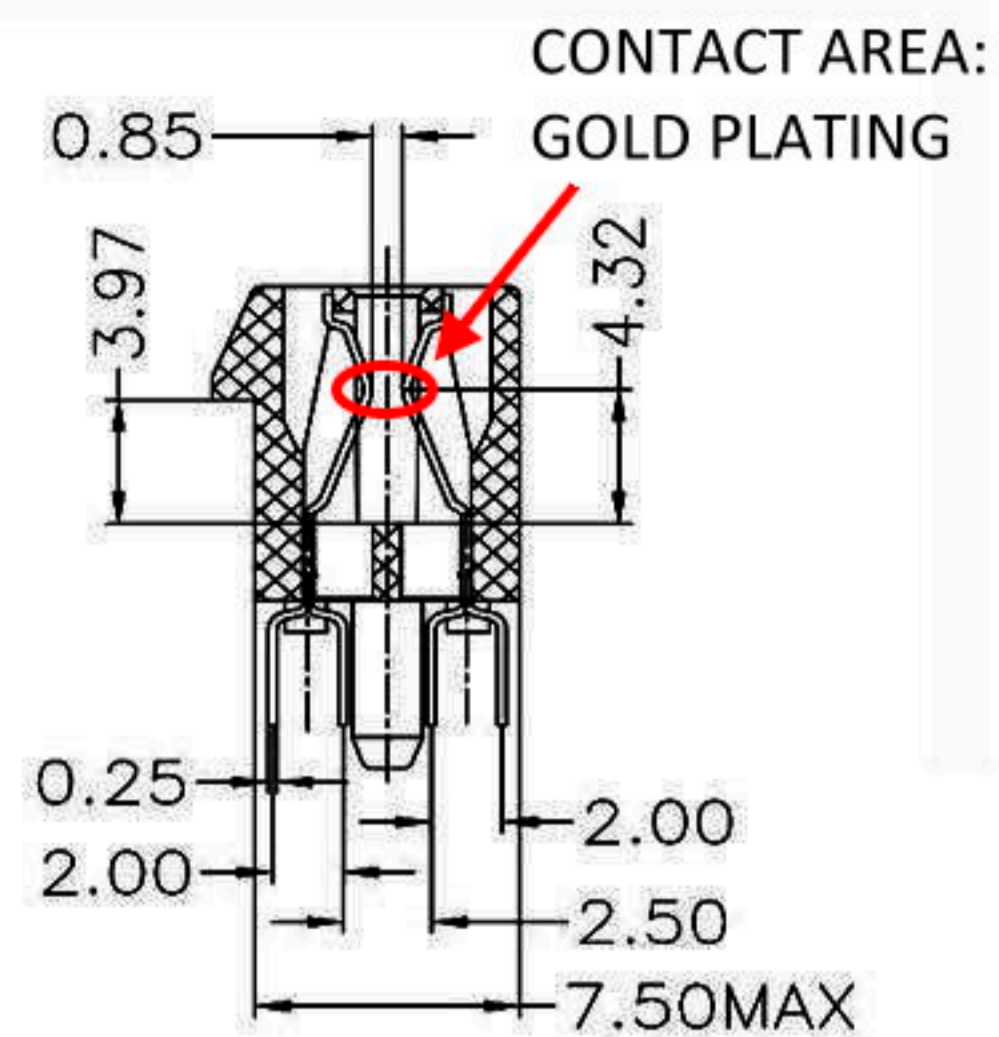


P.C.B Layout



Secondary (Solder) Side



Unit:mm
Dim "A"
2.5mm
3.0mm

NOTES

*Material

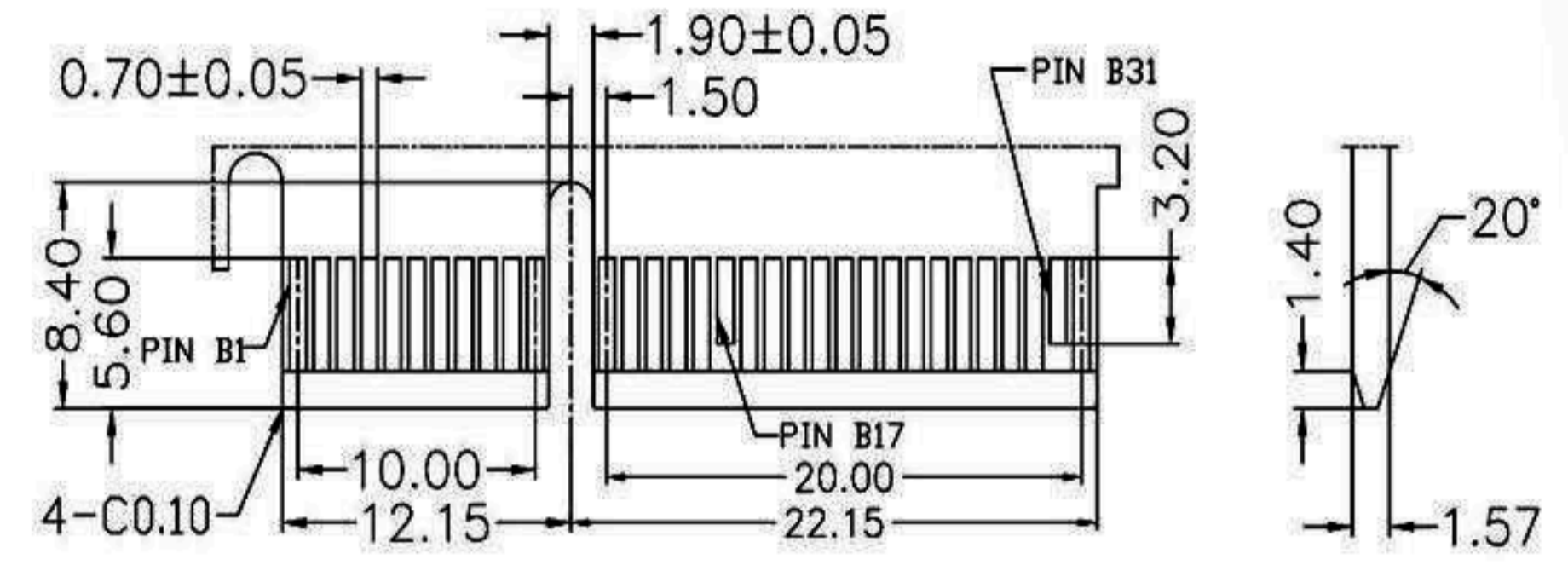
Body : NYLON46+30%G.F
UL 94V-0 Rated.Color: White or Black Orange
CAV.No: A~H
Contacts : Brass or Phosphor Bronze
Au plating 0.8u" on contact area,
Sn plating 100u" (min) on solder tail,
Ni 40u" (min) contact underplating overall.

*Mechanical:

Insertion Force: 1.15N max per contact pair;
Withdrawal Force: 0.15N min per contact pair;
Contact Retention Force: 4.9N min per contact;

*Electrical Specification

Contact Resistance : 30 Milliohms Max.
Current Resistance : 1.1 Ampere
Insulation Resistance : 1000 Megohms Min, At 500V AC.
Operating Temperature : -55°C to +105°C



Primary (Component) Side

RoHS Compliant		HSM 玄茂科技股份有限公司 HSUAN MAO TECHNOLOGY CO., LTD.	
APPD. 核准	SCALE 比例 参考	TOLERANCE 容許公差 .0 ± 0.38 .00 ± 0.25 ANG. ± 3°	PART NAME 品名 1.0mm PCI EXPRESS DIP TYPE (180°) 64P PLASTIC POSTS BODY MATERIAL: NYLON 46 CONTACT MATERIAL: BRASS SELECTIVE GOLD PLATING BLACK COLOR PIN LENGTH: (2.5 or 3.0mm) ROHS Soldering Temperature 260°C 5 Seconds
DWG. 製圖 Helen	UNIT 單位 MM	SIZE 紙張尺寸 A4	PART NO. 料號 C3613-64PNBS(2,3)BL
DATE 制表日 2012/3/22	PAGE 張數 1 OF 1	REV. 版本 A	