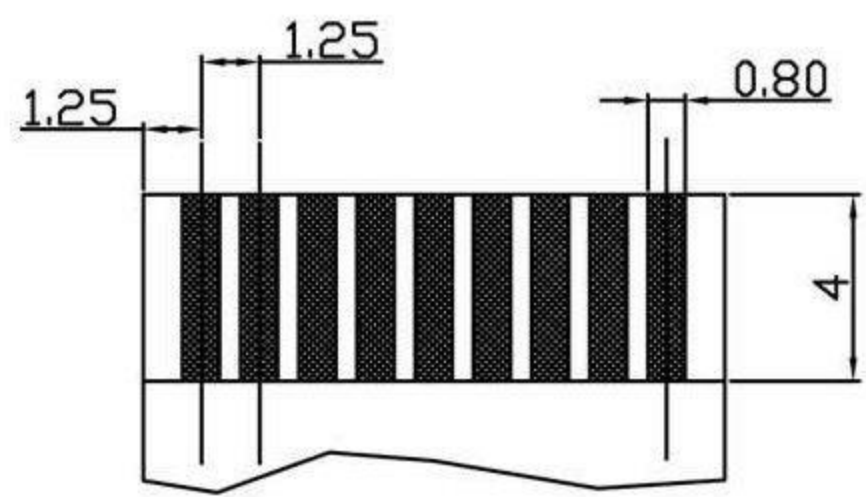
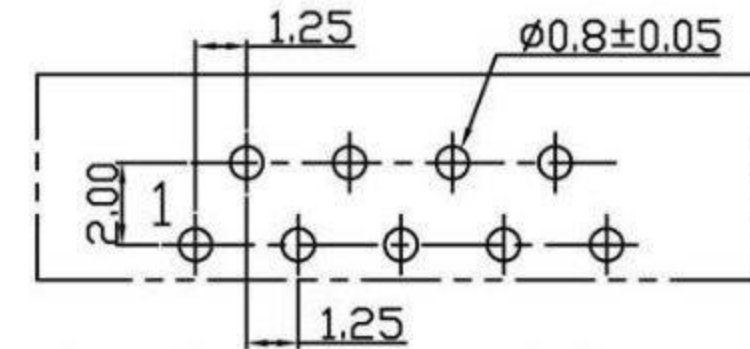


RECOMMEND PC BOARD HOLE DIMENSION
Tolerance±0.05
↑ C3912-XXCSTX10R



FFC/FPC DIMENSION THICKNESS 0.1mm
Tolerance±0.05



RECOMMEND PCB LAYOUT COMPONENT SIDE
Tolerance±0.05
↑ C3912-XXCETX10R

NOTES

- 1.MATERIALS:HOUSING-PBT UL94V-0
TERMINAL-PHOSPHOR BRONZE
- 2.PLATING: Sn/Pb 90/10, TIN 120u', NICKEL 50u'.

Ambient Temperaturd Range : -20 degree to +85 degree.

Electrical

Item	Requirement	Test Condition
Rated Voltage	200V(ac/dc)	Mate connectors measure by dry circuit.
Rated Current	1Amp(ac/dc)	
Contact Resistance	20mΩ	Mate connectors measure by dry circuit 20mV max, 10mA.
Insulation Resistance	500MΩ	Mate connectors, apply 500V dc between adjacent terminal or ground.
Dielectric Strength	No Breakdown	Mate connectors, apply 500V ac for 1 minute between adjacent terminal or ground.

CKT	A	B
3	9.55	5.20
4	10.80	6.45
5	12.05	7.70
6	13.30	8.95
7	14.55	10.20
8	15.80	11.45
9	17.05	12.70
10	18.30	13.95
11	19.55	15.20
12	20.80	16.45
13	22.05	17.70
14	23.30	18.95
15	24.55	20.20
16	25.80	21.45
17	27.05	22.70
18	28.30	23.95
19	29.55	25.20
20	30.80	26.45
21	32.05	27.70
22	33.30	28.95
23	34.55	30.20
24	35.80	31.45
25	37.05	32.70
26	38.30	33.95
27	39.55	35.20
28	40.80	36.45
29	42.05	37.70
30	43.30	38.95
31	44.55	40.20
32	45.80	41.45

RoHS Compliant		HSM 玄茂科技股份有限公司 HSUAN MAO TECHNOLOGY CO., LTD.	
APPD. 核准 BETTY		TOLERANCE 容許公差 .0 ±0.30 .00 ±0.25 ANG. ±	PART NAME 品名 ZIF FPC/FFC 1.25mm DIP 180° XXP TUBE PACKING TIN PLATING IVORY COLOR THICKNESS:0.1mm ROHS
DWG. 製圖 KAREN	SCALE 比例 參考	UNIT 單位 MM	PART NO. 料號 C3912-XXCS(E)TX10R
DATE 制表日 2012/08/28	PAGE 張數 1 OF 1	REV. 版本 B	