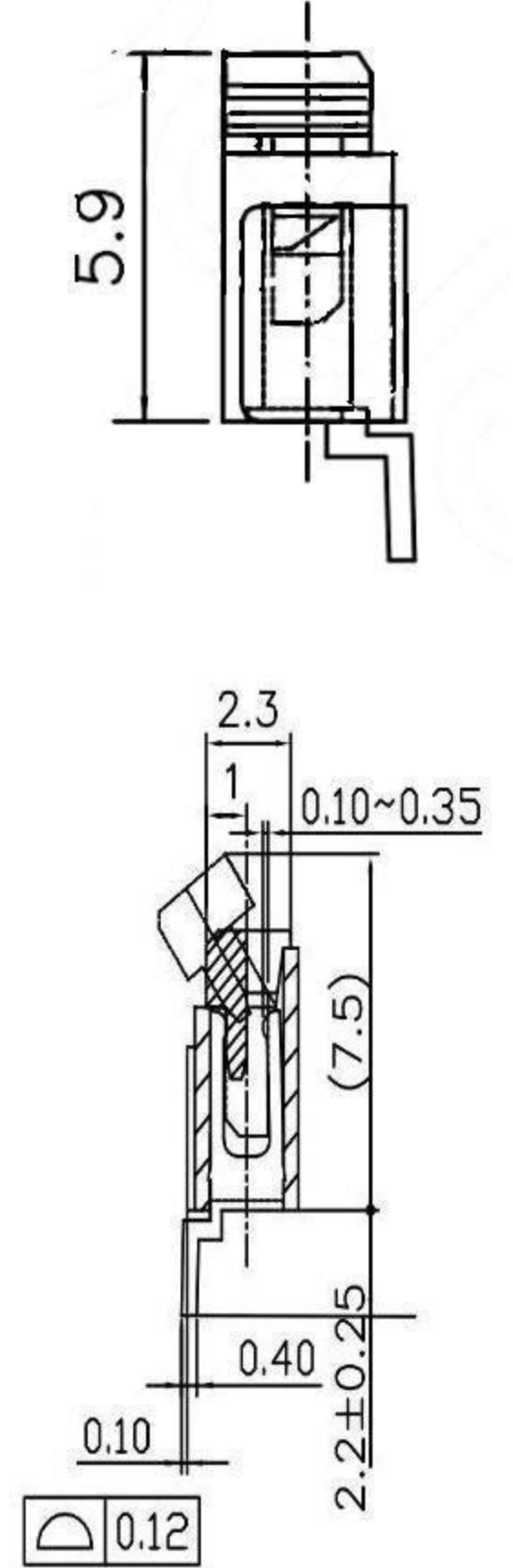
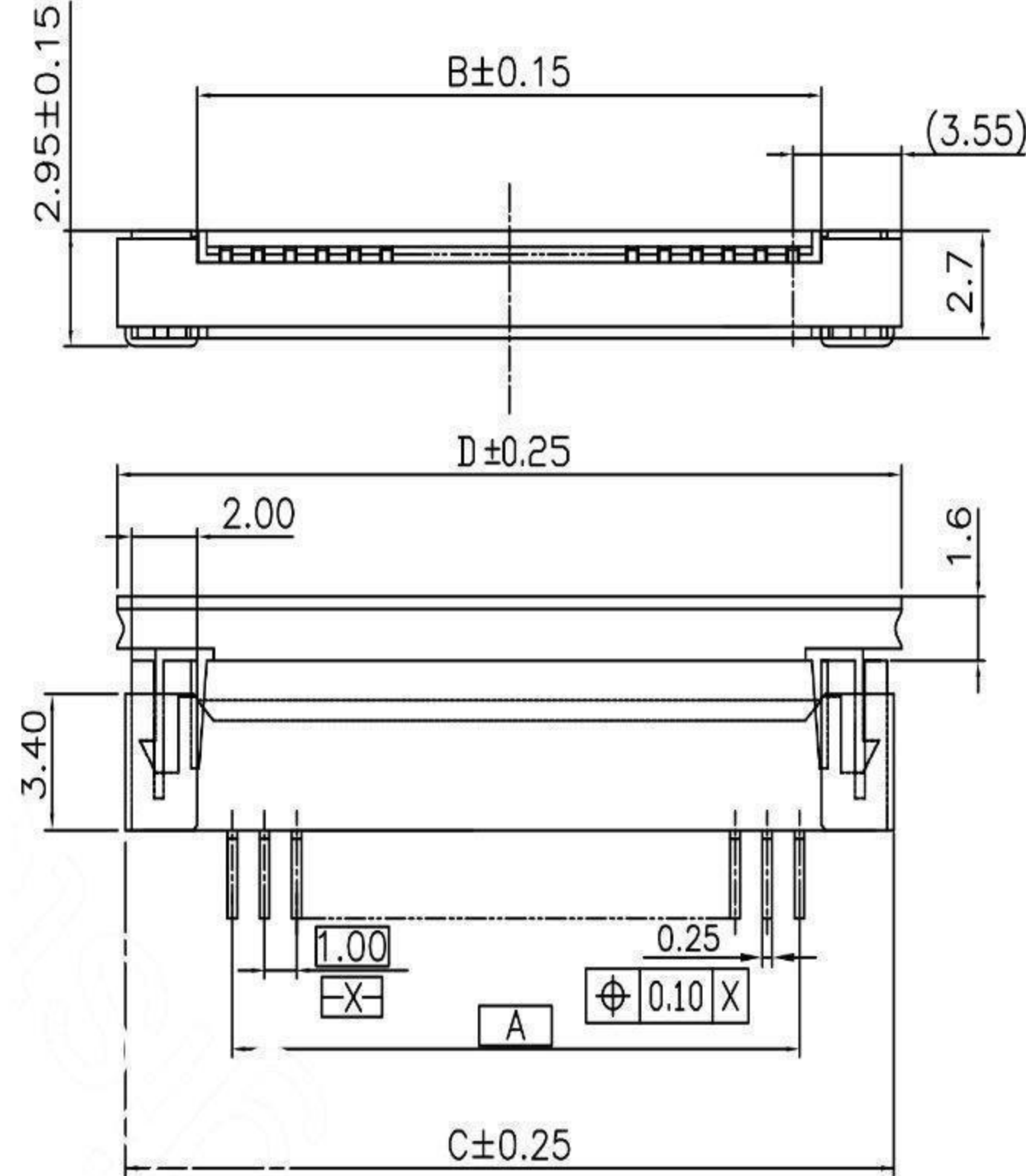
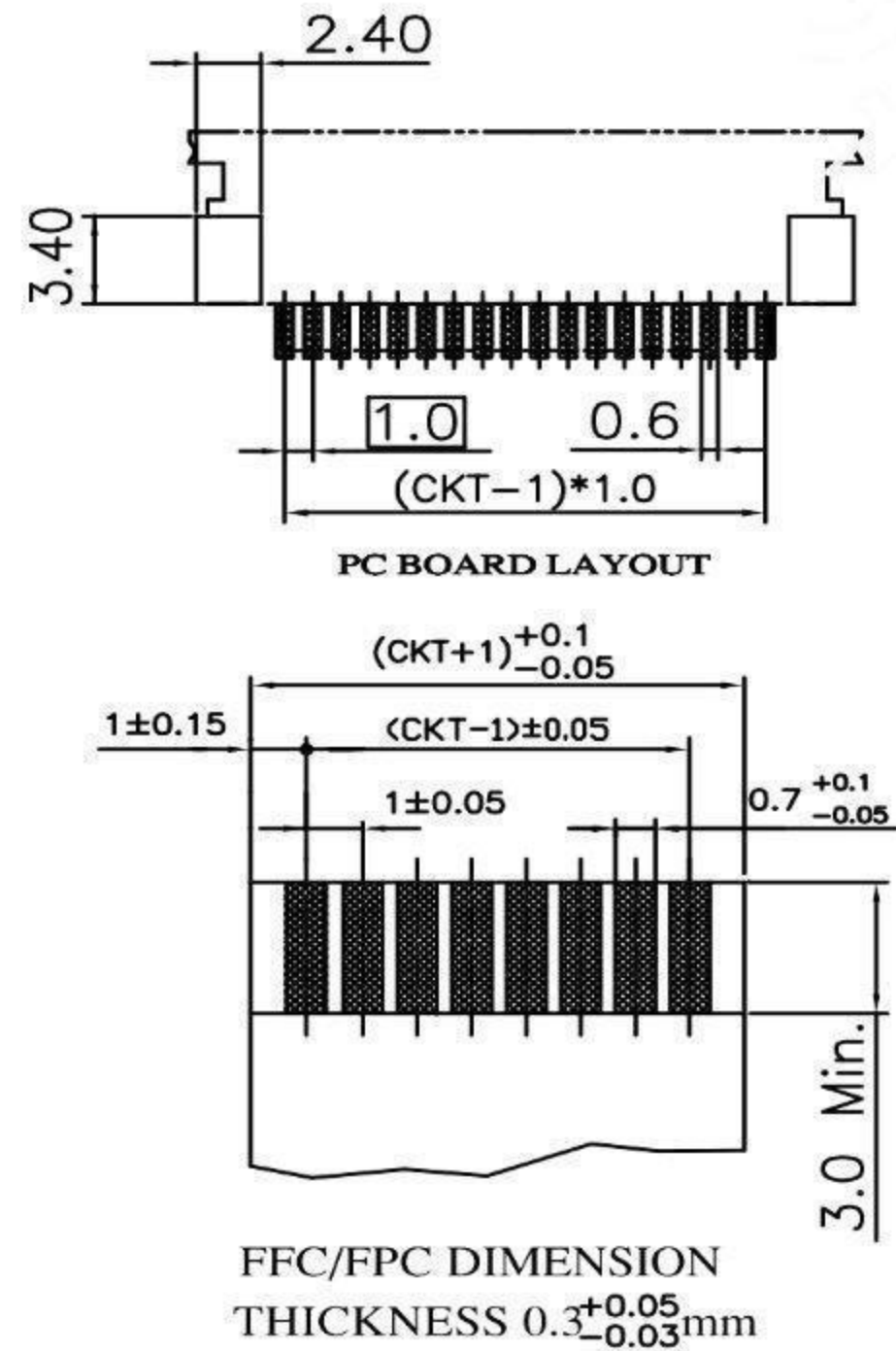
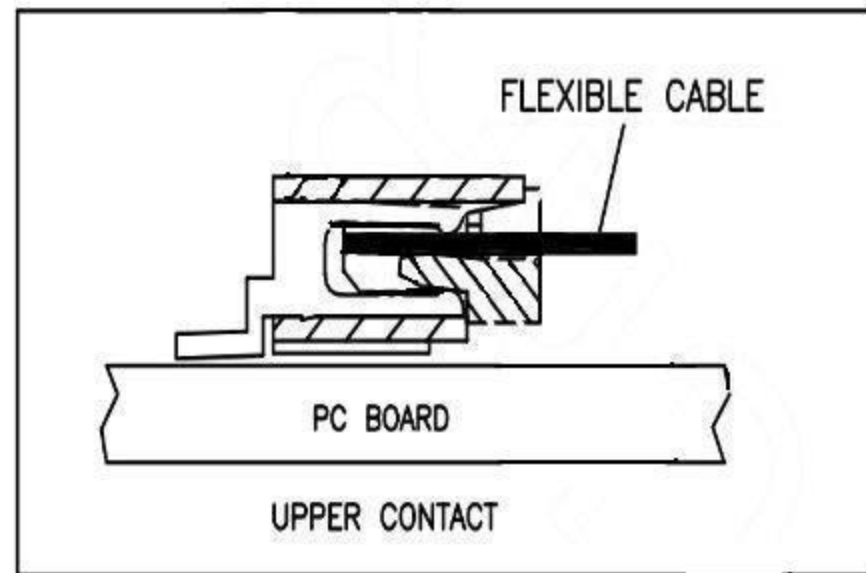


32	31.00	33.20	37.7	38.1
31	30.00	32.20	36.7	37.1
30	29.00	31.20	35.7	36.1
29	28.00	30.20	34.7	35.1
28	27.00	29.20	33.7	34.1
27	26.00	28.20	32.7	33.1
26	25.00	27.20	31.7	32.1
25	24.00	26.20	30.7	31.1
24	23.00	25.20	29.7	30.1
23	22.00	24.20	28.7	29.1
22	21.00	23.20	27.7	28.1
21	20.00	22.20	26.7	27.1
20	19.00	21.20	25.7	26.1
19	18.00	20.20	24.7	25.1
18	17.00	19.20	23.7	24.1
17	16.00	18.20	22.7	23.1
16	15.00	17.20	21.7	22.1
15	14.00	16.20	20.7	21.1
14	13.00	15.20	19.7	20.1
13	12.00	14.20	18.7	19.1
12	11.00	13.20	17.7	18.1
11	10.00	12.20	16.7	17.1
10	9.00	11.20	15.7	16.1
09	8.00	10.20	14.7	15.1
08	7.00	9.20	13.7	14.1
07	6.00	8.20	12.7	13.1
06	5.00	7.20	11.7	12.1
05	4.00	6.20	10.7	11.1
04	3.00	5.20	9.7	10.1
03	2.00	4.20	8.7	9.1
CKT	DIM. A	DIM. B	DIM. C	DIM. D

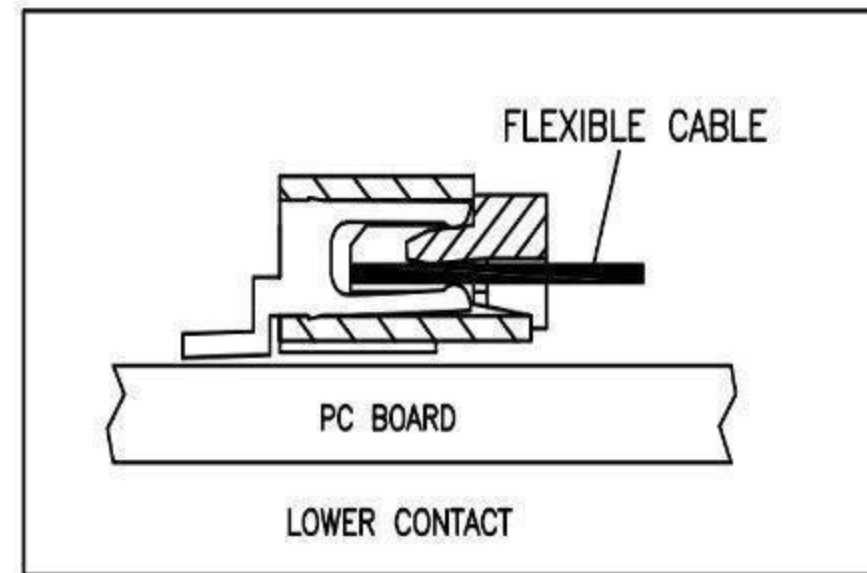


NOTES:

- MATERIALS: HOUSING-LCP, COVER-LCP  
TERMINAL-PHOSPHOR BRONZE, LATCH-PHOSPHOR BRONZE.  
PLATING: GOLD FLASH
- CAMBER: 0.05mm/cm MAX, DEFORMATION: NA,  
WARP: 0.05mm/cm MAX, TWIST: NA.



C3916-XXUTXI00R



C3916-XXBTXI00R

RoHS Compliant		<b>HSM</b> 玄茂科技股份有限公司 HSUAN MAO TECHNOLOGY CO., LTD.	
APPD. 核准 KAREN	SCALE 比例 参考	TOLERANCE Angle 12° 0.0 ±0.25 0.00 ±0.15 0.000 ±0.05	PART NAME 品名 FPC/FPC ZIF 1.0mm SMT TYPE HORIZONTAL TYPE XXP GOLD FLASH IVORY COLOR ROHS
DWG. 製圖 Helen	UNIT 單位 MM	SIZE 紙張尺寸 A4	PART NO. 料號 C3916-XXB(U)TXI00R
DATE 制表日 2016/3/8	PAGE 張數 1 OF 1	REV. 版本 A	