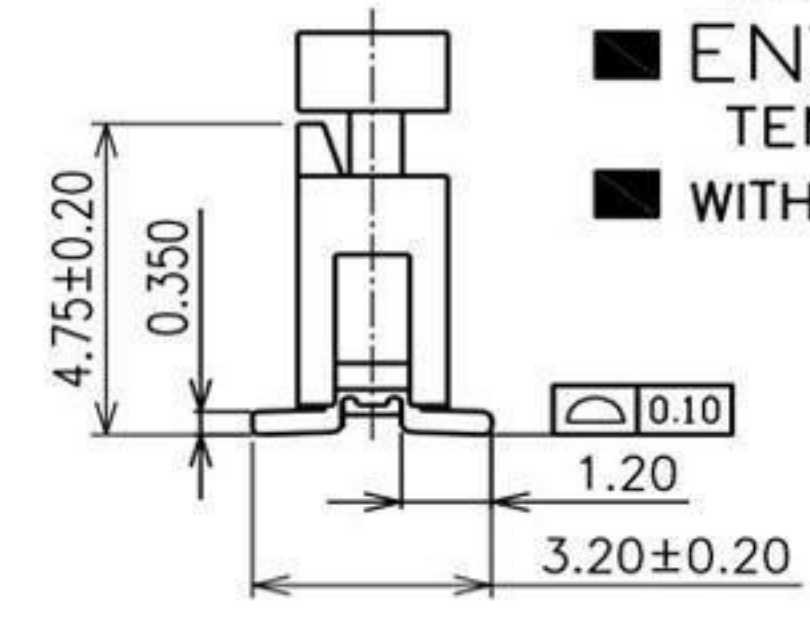
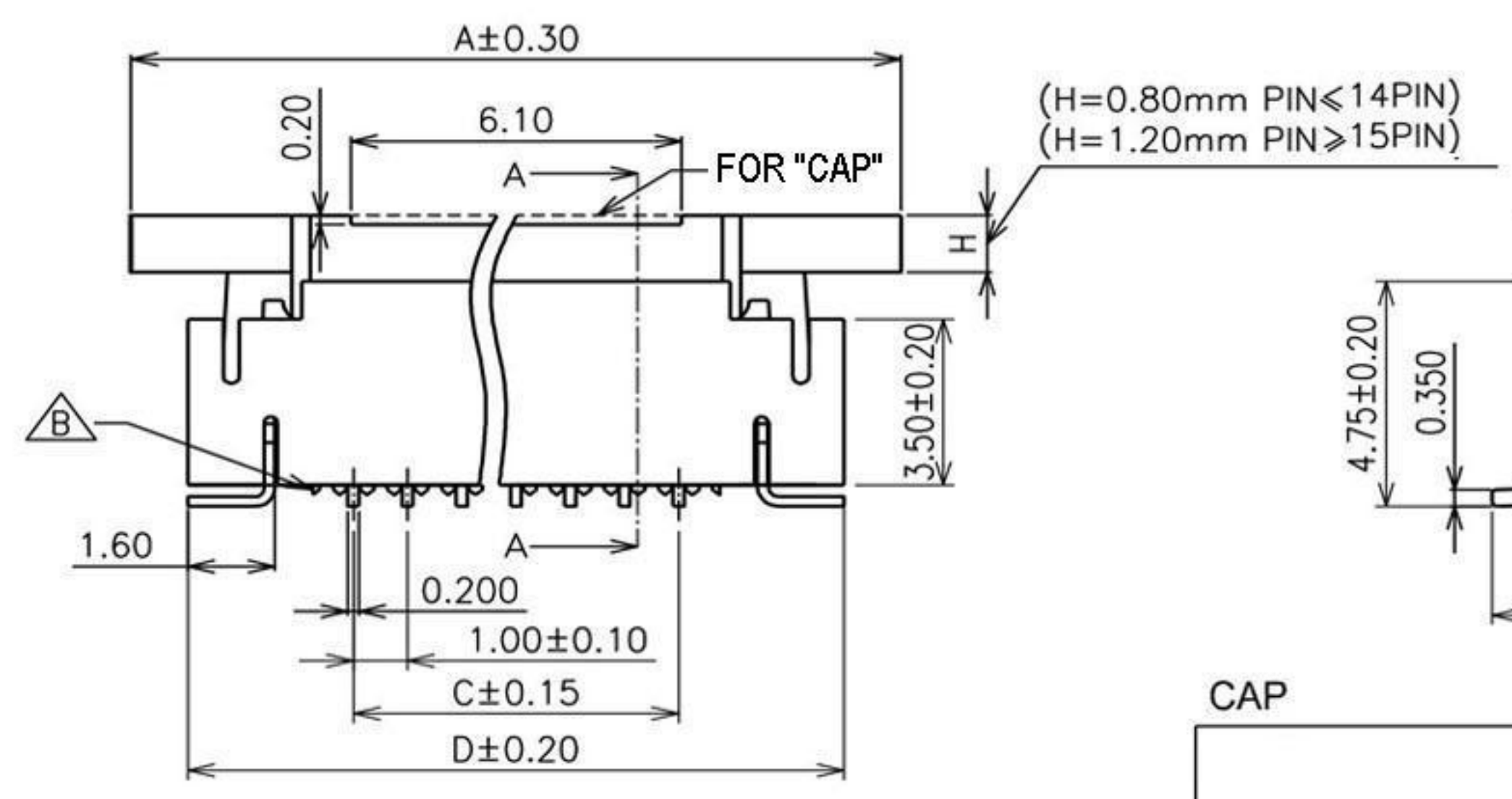
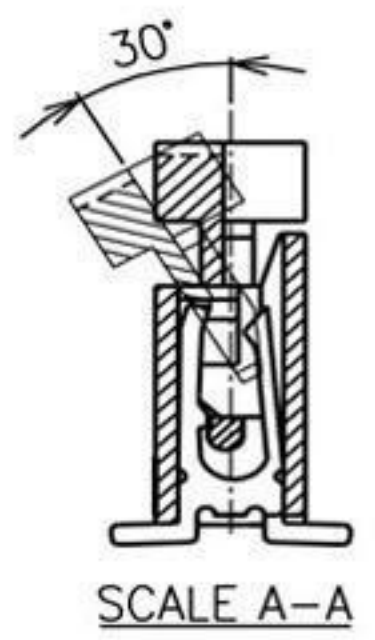
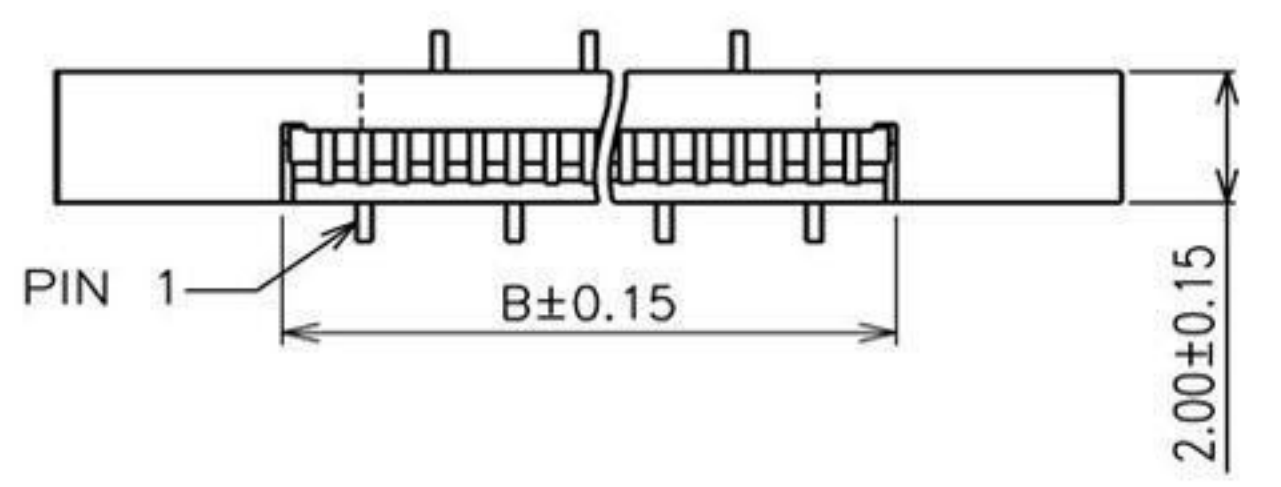


1 2 3 4 5 6 7 8

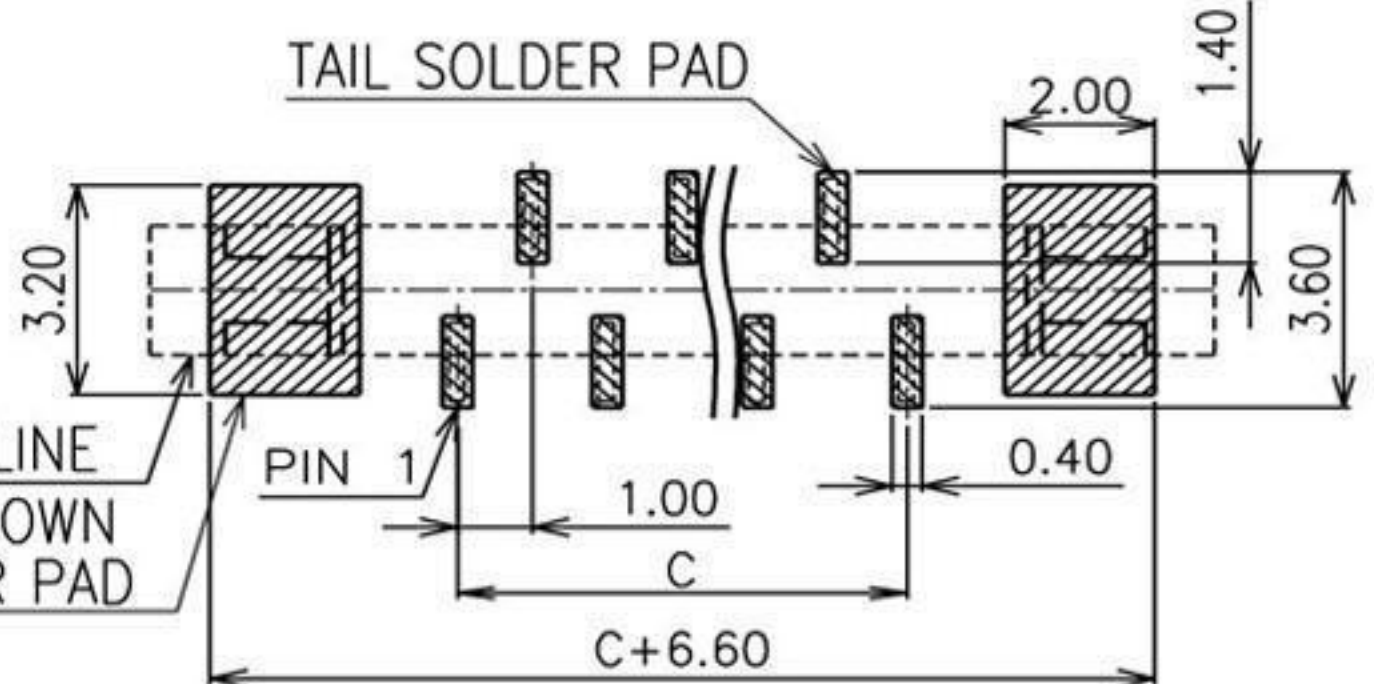
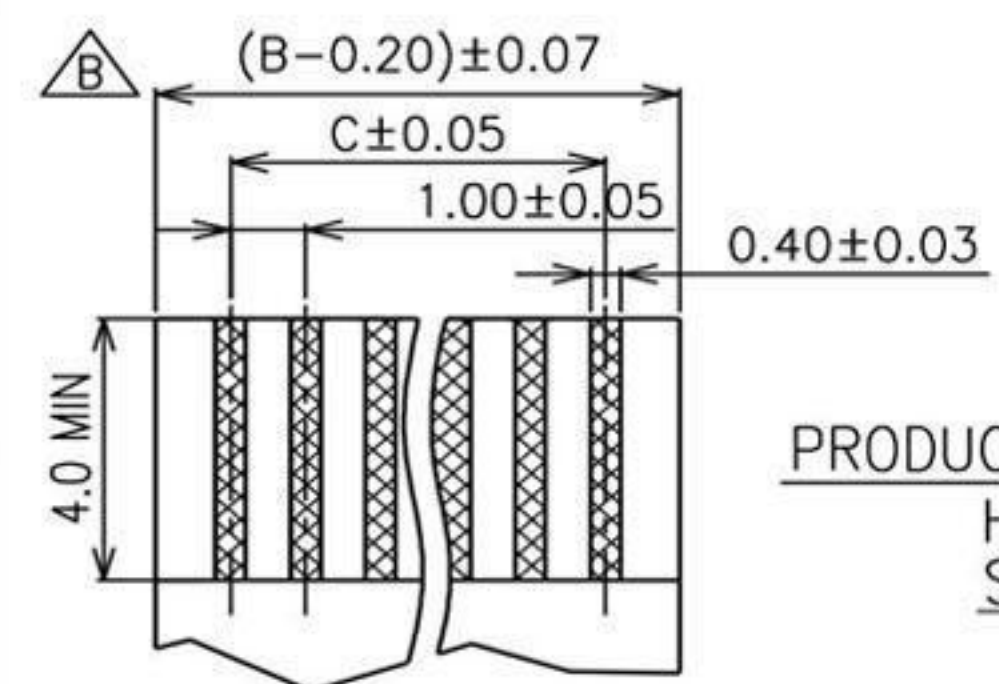
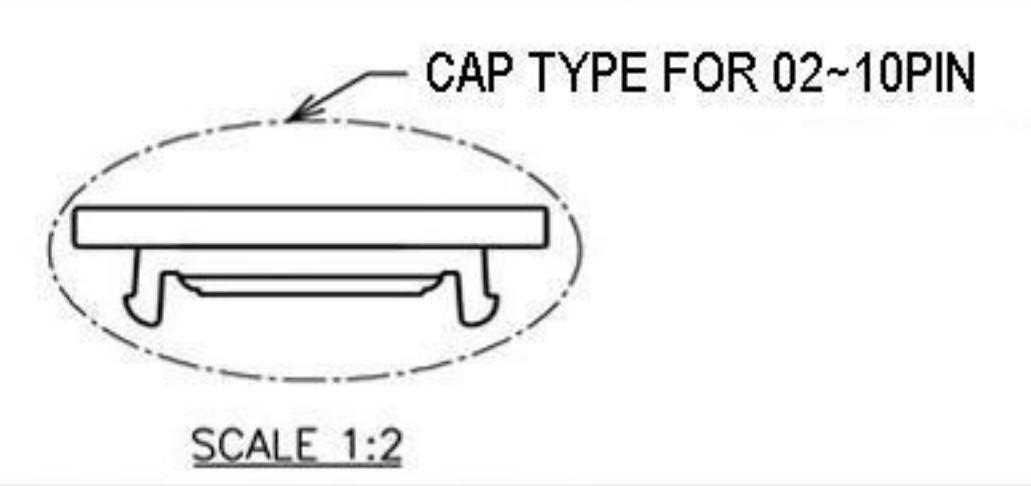
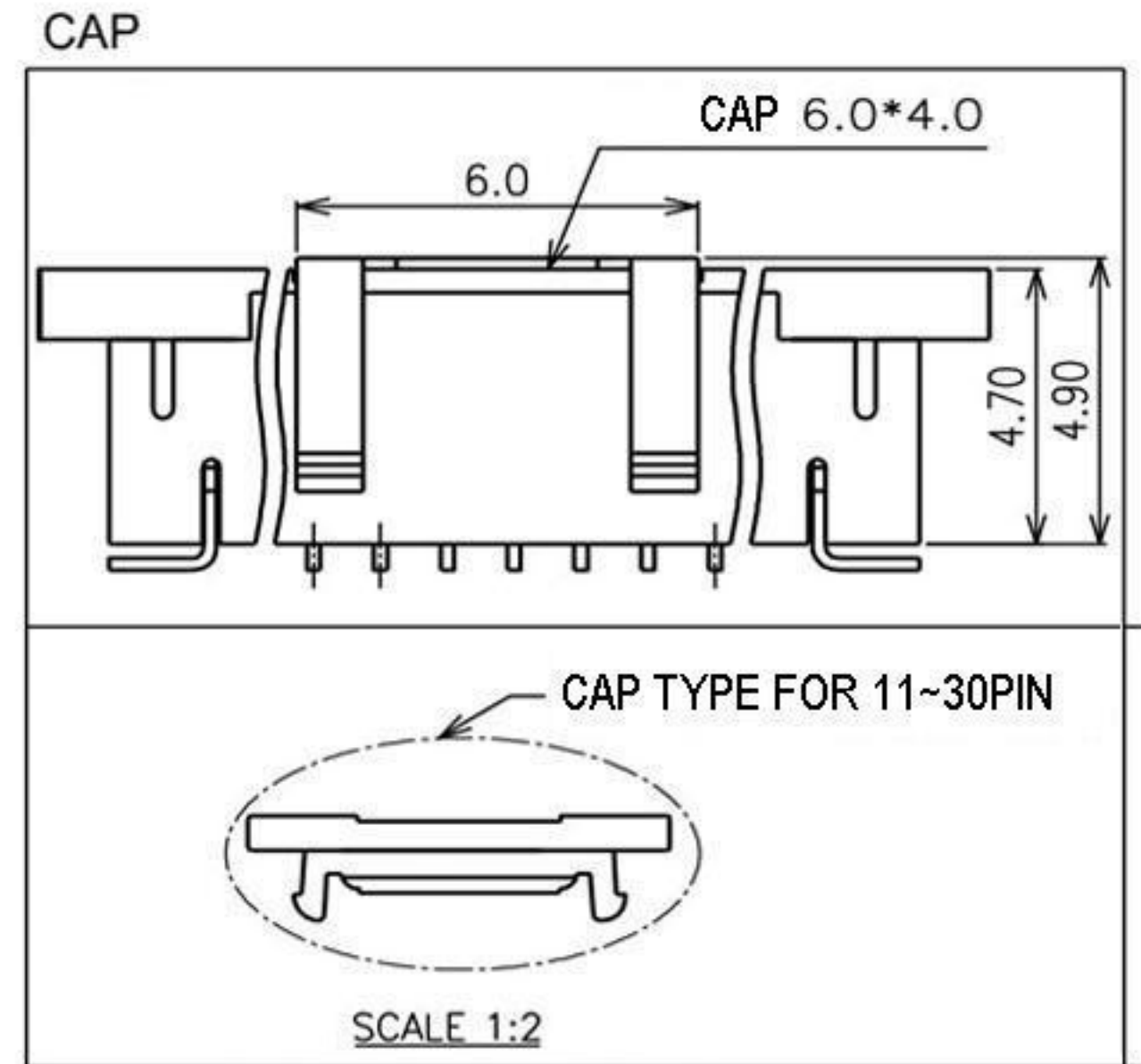
A
B
C
D
E
F
G
H

A
B
C
D
E
F
G
H



NOTE:

- MATERIAL
HOUSING:HIGH-TEMP. THERMOPLASTIC. UL 94V-0.
ACTUATOR:HIGH-TEMP. THERMOPLASTIC. UL 94V-0.
CONTACT:PHOSPHOR BRONZE.
PLATING:TIN OR GOLD PLATED OVER NICKEL.
HOLDDOWN:BRASS. PLATING:TIN PLATED OVER NICKEL.
- ELECTRICAL
CURRENT:0.5A MAX.
DIELECTRIC WITHSTANDING VOLTAGE:250V AC MIN.
CONTACT RESISTANCE:30mΩ MAX.
INSULATION RESISTANCE:100MΩ MIN.
- ENVIRONMENTAL
TEMPERATURE:-25°C TO +85°C
- WITH "A"."B"."C"."D"."O" MAJOR DIMENSION FOR QC.



■ DIMENSIONAL INFORMATION

| PIN | Dimension | | | |
|-----|-----------|-------|-------|-------|
| | A | B | C | D |
| 2 | 9.20 | 3.20 | 1.00 | 7.10 |
| 3 | 10.20 | 4.20 | 2.00 | 8.10 |
| 4 | 11.20 | 5.20 | 3.00 | 9.10 |
| 5 | 12.20 | 6.20 | 4.00 | 10.10 |
| 6 | 13.20 | 7.20 | 5.00 | 11.10 |
| 7 | 14.20 | 8.20 | 6.00 | 12.10 |
| 8 | 15.20 | 9.20 | 7.00 | 13.10 |
| 9 | 16.20 | 10.20 | 8.00 | 14.10 |
| 10 | 17.20 | 11.20 | 9.00 | 15.10 |
| 11 | 18.20 | 12.20 | 10.00 | 16.10 |
| 12 | 19.20 | 13.20 | 11.00 | 17.10 |
| 13 | 20.20 | 14.20 | 12.00 | 18.10 |
| 14 | 21.20 | 15.20 | 13.00 | 19.10 |
| 15 | 22.20 | 16.20 | 14.00 | 20.10 |
| 16 | 23.20 | 17.20 | 15.00 | 21.10 |
| 17 | 24.20 | 18.20 | 16.00 | 22.10 |
| 18 | 25.20 | 19.20 | 17.00 | 23.10 |
| 19 | 26.20 | 20.20 | 18.00 | 24.10 |

| PIN | Dimension | | | |
|-----|-----------|-------|-------|-------|
| | A | B | C | D |
| 20 | 27.20 | 21.20 | 19.00 | 25.10 |
| 21 | 28.20 | 22.20 | 20.00 | 26.10 |
| 22 | 29.20 | 23.20 | 21.00 | 27.10 |
| 23 | 30.20 | 24.20 | 22.00 | 28.10 |
| 24 | 31.20 | 25.20 | 23.00 | 29.10 |
| 25 | 32.20 | 26.20 | 24.00 | 30.10 |
| 26 | 33.20 | 27.20 | 25.00 | 31.10 |
| 27 | 34.20 | 28.20 | 26.00 | 32.10 |
| 28 | 35.20 | 29.20 | 27.00 | 33.10 |
| 29 | 36.20 | 30.20 | 28.00 | 34.10 |
| 30 | 37.20 | 31.20 | 29.00 | 35.10 |

RoHS Compliant

HSM 玄茂科技股份有限公司
HSUAN MAO TECHNOLOGY CO., LTD.

APPD. 核准
DWG. 製圖 Helen
DATE 制表日 2012/10/26

TOLERANCE 容許公差
SCALE 比例 參考
UNIT 單位 MM
PAGE 張數 1 OF 1
REV. 版本 A

PART NAME 品名
FPC/FFC ZIF 1.0mm SMT TYPE VERTICAL
TYPE XXP CROSS PIN TIN PLATING IVORY
COLOR ROHS
PART NO. 料號 C3931-XXVTXI00R

1 2 3 4 5 6 7 8