

NOTES:

- MATERIALS: HOUSING-LCP
TERMINAL-PHOSPHOR BRONZE, LATCH -Brass
- CAMBER: 0.05mm/cm MAX, DEFORMATION: NA,
WARP: 0.05mm/cm MAX, TWIST: NA.

A

B

C

D

E

F

G

H

A

B

C

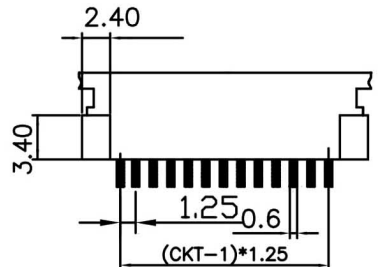
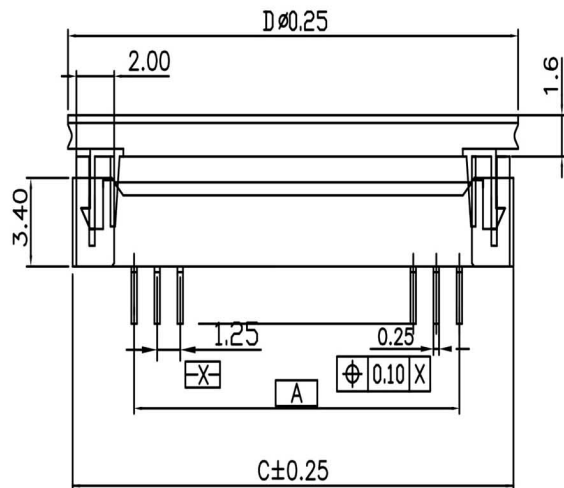
D

E

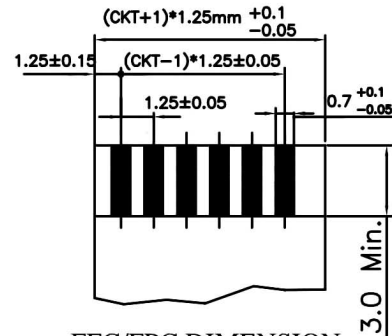
F

G

H

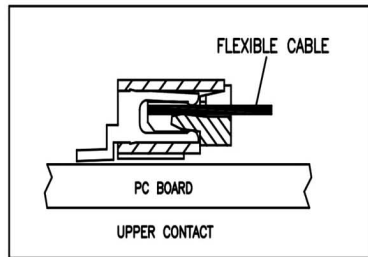


PC BOARD LAYOUT

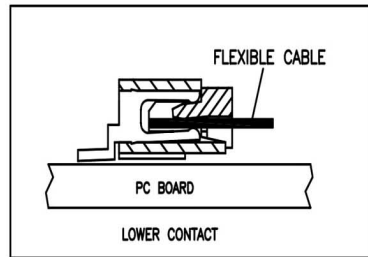


FFC/FPC DIMENSION
THICKNESS 0.3 +0.05/-0.03 mm

| CKT | DIM.A | DIM.B | DIM.C | DIM.D |
|-----|-------|-------|-------|-------|
| 3 | 2.50 | 5.20 | 9.85 | 10.25 |
| 4 | 3.75 | 6.45 | 11.10 | 11.50 |
| 5 | 5.00 | 7.00 | 12.35 | 12.75 |
| 6 | 6.25 | 8.95 | 13.60 | 14.00 |
| 7 | 7.50 | 10.20 | 14.85 | 15.25 |
| 8 | 8.75 | 11.45 | 16.10 | 16.50 |
| 9 | 10.00 | 12.70 | 17.35 | 17.75 |
| 10 | 11.25 | 13.95 | 18.60 | 19.00 |
| 11 | 12.50 | 15.20 | 19.85 | 20.25 |
| 12 | 13.75 | 16.45 | 21.10 | 21.50 |
| 13 | 15.00 | 17.70 | 22.35 | 22.75 |
| 14 | 16.25 | 18.95 | 23.60 | 24.00 |
| 15 | 17.50 | 20.20 | 24.85 | 25.25 |
| 16 | 18.75 | 21.45 | 26.10 | 26.50 |
| 17 | 20.00 | 22.70 | 27.35 | 27.75 |
| 18 | 21.25 | 23.95 | 28.60 | 29.00 |
| 19 | 22.50 | 25.20 | 29.85 | 30.25 |
| 20 | 23.75 | 26.45 | 31.10 | 31.50 |
| 21 | 25.00 | 27.70 | 32.35 | 32.75 |
| 22 | 26.25 | 28.95 | 33.60 | 34.00 |
| 23 | 27.50 | 30.20 | 34.85 | 35.25 |
| 24 | 28.75 | 31.45 | 36.01 | 36.50 |
| 25 | 30.00 | 32.70 | 37.35 | 37.75 |
| 26 | 31.25 | 33.95 | 38.60 | 39.00 |
| 27 | 32.50 | 35.20 | 39.85 | 40.25 |
| 28 | 33.75 | 36.45 | 41.10 | 41.50 |
| 29 | 35.00 | 37.70 | 42.35 | 42.75 |
| 30 | 36.25 | 38.95 | 43.60 | 44.00 |



C3934-XXUTTI00R



C3934-XXBTTI00R

RoHS
Compliant

HSM 玄茂科技股份有限公司
HSUAN MAO TECHNOLOGY CO., LTD.

APPD.
核准
Betty
DATE 制表日
2017/10/18

SCALE
比例 参考
UNIT
單位 MM
PAGE
張數 1 OF 1

General Tolerances
Angle Dim 0.0 ±0.50
0.00 ±0.25
0.000 ±0.150
SIZE
紙張尺寸 A 4
REV.
版次 A

PART NAME 品名
FPC/FFC ZIF 1.25mm SMT TYPE HORIZONTAL
TYPE XXPin BOTTOM OR UPPER CONTACT
TUBE PACKING TIN PLATING IVORY COLOR ROHS
PART NO.
料號 C3934-XX(B,U)TTI00R