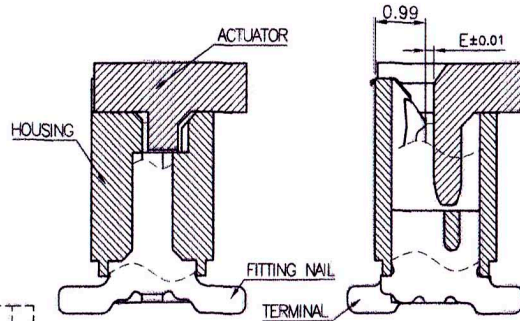
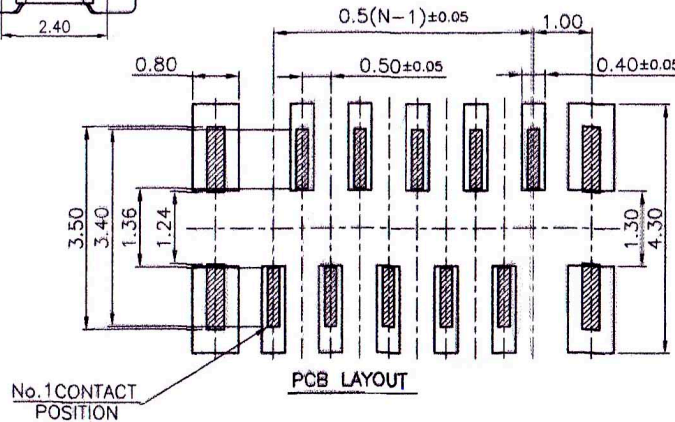


RECOMMENDED FFC/FPC DIMENSION



SECTION A-A

SECTION B-B



- HOUSING MATERIAL: HEAT RESISTANT PLASTIC UL94 V-0.
- ACTUATOR MATERIAL: HEAT RESISTANT PLASTIC UL94 V-0.
- TERMINAL MATERIAL: PHOSPHOR BRONZE.
- FITTING NAIL MATERIAL: BRASS.

PIN	DIM.A	DIM.B	DIM.C	DIM.D	DIM.E	PIN	DIM.A	DIM.B	DIM.C	DIM.D	DIM.E	
4	8.10	6.85	2.60	1.50	0.14	28	20.10	18.85	14.60	13.50	0.15	
5	8.60	7.35	3.10	2.00		29	20.60	19.35	15.10	14.00		
6	9.10	7.85	3.60	2.50		30	21.10	19.85	15.60	14.50		
7	9.60	8.35	4.10	3.00		31	21.60	20.35	16.10	15.00		
8	10.10	8.85	4.60	3.50		32	22.10	20.85	16.60	15.50		
9	10.60	9.35	5.10	4.00	0.15	33	22.60	21.35	17.10	16.00	0.16	
10	11.10	9.85	5.60	4.50		34	23.10	21.85	17.60	16.50		
11	11.60	10.35	6.10	5.00		35	23.60	22.35	18.10	17.00		
12	12.10	10.85	6.60	5.50		36	24.10	22.85	18.60	17.50		
13	12.60	11.35	7.10	6.00		37	24.60	23.35	19.10	18.00		
14	13.10	11.85	7.60	6.50	0.15	38	25.10	23.85	19.60	18.50	0.16	
15	13.60	12.35	8.10	7.00		39	25.60	24.35	20.10	19.00		
16	14.10	12.85	8.60	7.50		40	26.10	24.85	20.60	19.50		
17	14.60	13.35	9.10	8.00		41	26.60	25.35	21.10	20.00		
18	15.10	13.85	9.60	8.50		42	27.10	25.85	21.60	20.50		
19	15.60	14.35	10.10	9.00	0.15	43	27.60	26.35	22.10	21.00	0.16	
20	16.10	14.85	10.60	9.50		44	28.10	26.85	22.60	21.50		
21	16.60	15.35	11.10	10.00		45	28.60	27.35	23.10	22.00		
22	17.10	15.85	11.60	10.50		46	29.10	27.85	23.60	22.50		
23	17.60	16.35	12.10	11.00		47	29.60	28.35	24.10	23.00		
24	18.10	16.85	12.60	11.50	0.15	48	30.10	28.85	24.60	23.50	0.16	
25	18.60	17.35	13.10	12.00		49	30.60	29.35	25.10	24.00		
26	19.10	17.85	13.60	12.50		50	31.10	29.85	25.60	24.50		
27	19.60	18.35	14.10	13.00								

RoHS
Compliant

HSM 玄茂科技股份有限公司
HSUAN MAO TECHNOLOGY CO., LTD.

APPD.
核准
Betty
DATE 制表日
2022/01/04

SCALE
比例 参考
UNIT
單位 M M
PAGE
張數 1 OF 1

TOLERANCE
容許公差
.0 ± 0.30
.00 ± 0.20
ANG. ± 3°
SIZE
紙張尺寸 A 4
REV.
版次 A

PART NAME 品名
FPC/FFC ZIF 0.5MM SMT TYPE
VERTICAL TYPE XXPIN CROSS PIN
IVORY COLOR ROHS
PART NO.
料號 C3945-XXVXXI00R