

SPECIFICATION

MATERIAL:

Insulator: PA6T (E630N)

Contacts: Brass C2680

Shell: Zamak3

CONTACT PLATING:

Contact area: 6u" Selective Gold

Solder tails area: 50u"~150u" Tin(Matte)

ELECTRICAL:

Impedance: 50 Ohms

Insulator Resistance: 1000 Mohms Min. at 100V DC

Withstanding Voltage: AC 780Vrms Min. 60Hz

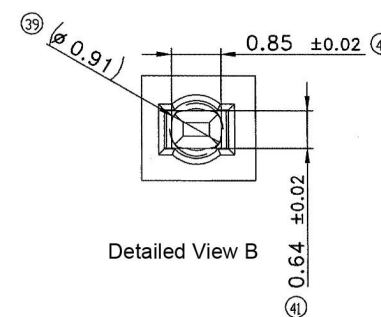
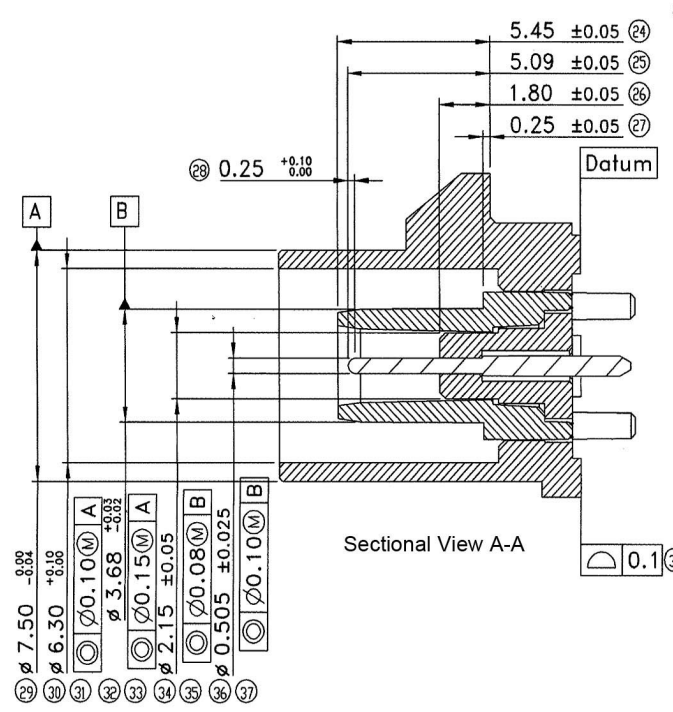
Voltage Rating: AC 335Vrms

Current Rating: 1.0A Max.

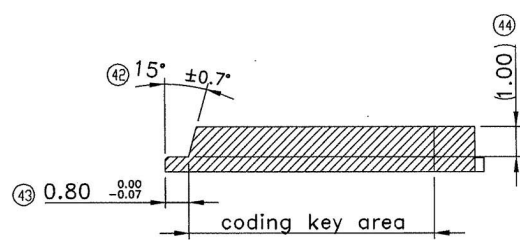
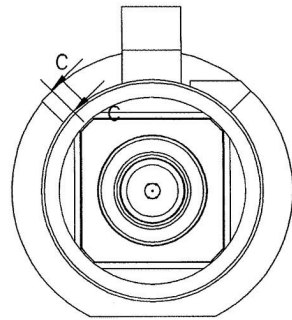
Contact Resistance: 5 Mohms Max. at 20mV Max.

Operation Temp. Range: -40 degree to +105 degree

Mating cycles: 25 insertions

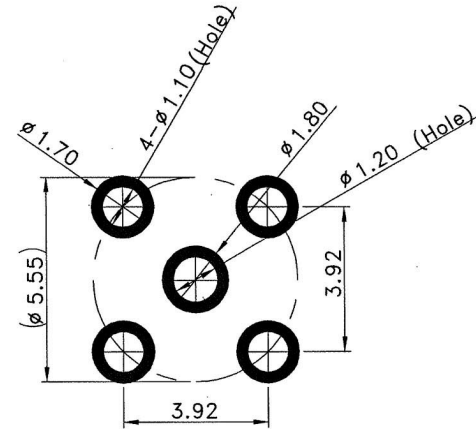


<p>RoHS Compliant</p>		<p>HSM 玄茂科技股份有限公司 HSUAN MAO TECHNOLOGY CO., LTD.</p>	
<p>APPD. 核准</p>		<p>UNLESS OTHERWISE SPECIFIED TOLERANCE</p> <p>X<1 00.05 1x X≤6 00.10 6x X≤30 00.15 30x X 00.25 Radius 0.2 max Angle 42°</p>	<p>PART NAME 品名 FAKRA PLUG 180° FOR DIP PCB CENTER CONTACT: BRASS, GOLD 6U" BODY: BRASS, MATTE TIN PLATED INSULATOR MATERIAL: PA6T 50Ω ROHS</p>
<p>DWG. 製圖 Betty</p>	<p>SCALE 比例 參考</p>	<p>UNIT 單位 MM</p>	<p>PART NO. C4002-MKZLXAXR</p>
<p>DATE 製表日 2019/06/28</p>	<p>PAGE 張數 1 OF 4</p>	<p>REV. 版次 A</p>	<p>料號</p>

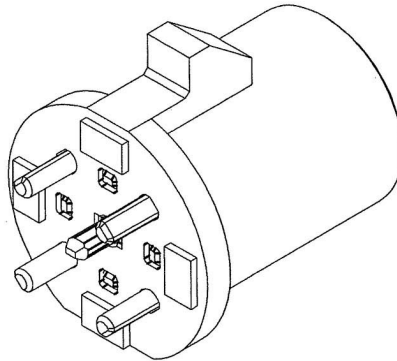
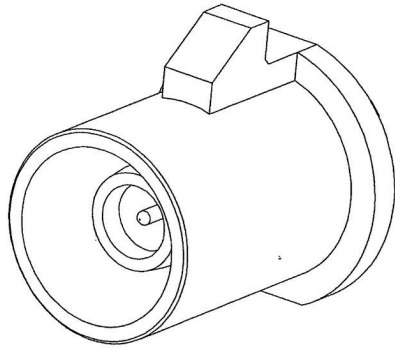


coding key cross section

Sectional View C-C



RECOMMENDED PCB LAYOUT
TOLERANCES ±0.05mm



RoHS Compliant		HSM 玄茂科技股份有限公司 HSUAN MAO TECHNOLOGY CO., LTD.	
APPD. 核准	SCALE 比例 参考	UNLESS OTHERWISE SPECIFIED TOLERANCE X<1 ±0.05 1x X≤6 ±0.10 6x X≤30 ±0.15 30x X ±0.25 Radius 0.2 max Angle ±2°	PART NAME 品名 FAKRA PLUG 180° FOR DIP PCB CENTER CONTACT: BRASS, GOLD 6U" BODY: BRASS, MATTE TIN PLATED INSULATOR MATERIAL: PA6T 50Ω ROHS
DWG. 製圖			
DATE 制表日	PAGE 張數	REV. 版次	PART NO. 料號
2019/06/28	2 OF 4	A	C4002-MKZLXAXR

A

B

C

D

E

F

G

H

A

B

C

D

E

F

G

H

1

2

3

4

5

6

7

8

1

2

3

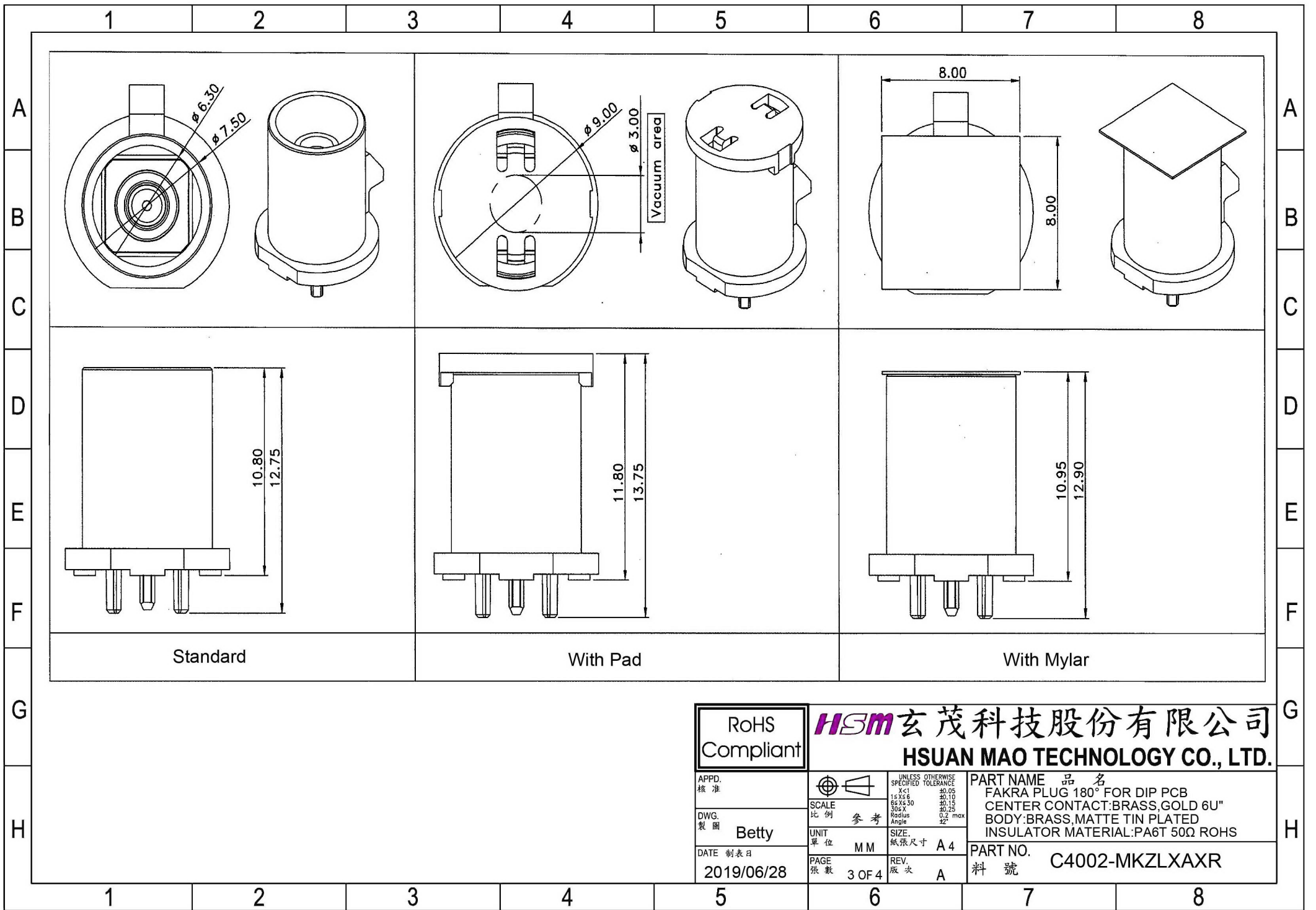
4

5

6

7

8



Standard

With Pad

With Mylar

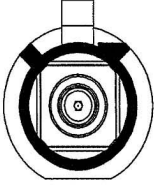
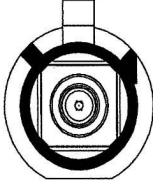
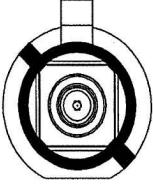
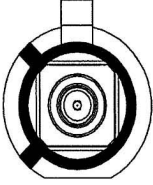
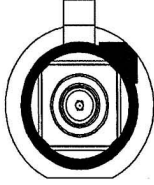
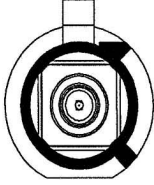
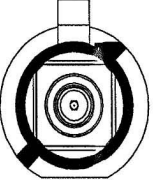
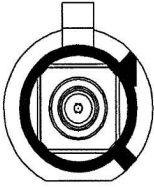
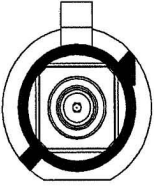
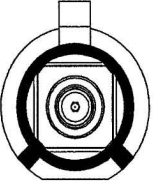
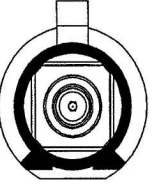
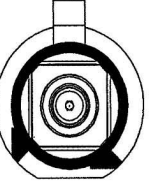
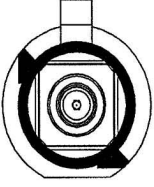
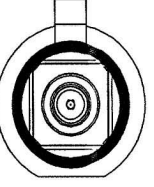
RoHS
Compliant

HSM 玄茂科技股份有限公司
HSUAN MAO TECHNOLOGY CO., LTD.

APPD.
核准
Betty
DATE 制表日
2019/06/28

UNLESS OTHERWISE SPECIFIED TOLERANCE
X<1 20.00
1x X≤6 20.10
6x X≤30 20.15
30x X 20.25
Radius 0.2 max
Angle 2°
SCALE 比例 參考
UNIT 單位 MM
PAGE 張數 3 OF 4
REV. 版次 A

PART NAME 品名
FAKRA PLUG 180° FOR DIP PCB
CENTER CONTACT: BRASS, GOLD 6U"
BODY: BRASS, MATTE TIN PLATED
INSULATOR MATERIAL: PA6T 50Ω ROHS
PART NO. 料號
C4002-MKZLXAXR

	1	2	3	4	5	6	7	8	
A	Coding	A	B	C	D	E	F	G	A
B	Plug								B
C	Color	Black	White	Blue	Bordeaux Violet	Green	Brown	Grey	C
D	RAL	sim.9005	sim.9001	sim.5005	sim.4004	sim.6002	sim.8011	sim.7031	D
E	Coding	H	I	K	L	M	N	Z	E
F	Plug								F
G	Color	Violet	Beige	Curry	Camine Red	Pastel Orange	Pastel Green	Water Blue	G
H	RAL	sim.4003	sim.1001	sim.1027	sim.3002	sim.2003	sim.6019	sim.5021	H
	1	2	3	4	5	6	7	8	

RoHS
Compliant

HSM 玄茂科技股份有限公司
HSUAN MAO TECHNOLOGY CO., LTD.

APPD.
核准
Betty
DATE 制表日
2019/06/28

UNLESS OTHERWISE SPECIFIED TOLERANCE
X<1 20.05
1xX≤6 20.10
6xX≤30 20.15
30xX 20.25
Radius 0.2 max
Angle 2°
SCALE 比例 參考
UNIT 單位 M M
PAGE 張數 4 OF 4
REV. 版次 A

PART NAME 品名
FAKRA PLUG 180° FOR DIP PCB
CENTER CONTACT:BRASS,GOLD 6U"
BODY:BRASS,MATTE TIN PLATED
INSULATOR MATERIAL:PA6T 50Ω ROHS
PART NO.
料號 C4002-MKZLXAXR