

**Material:**

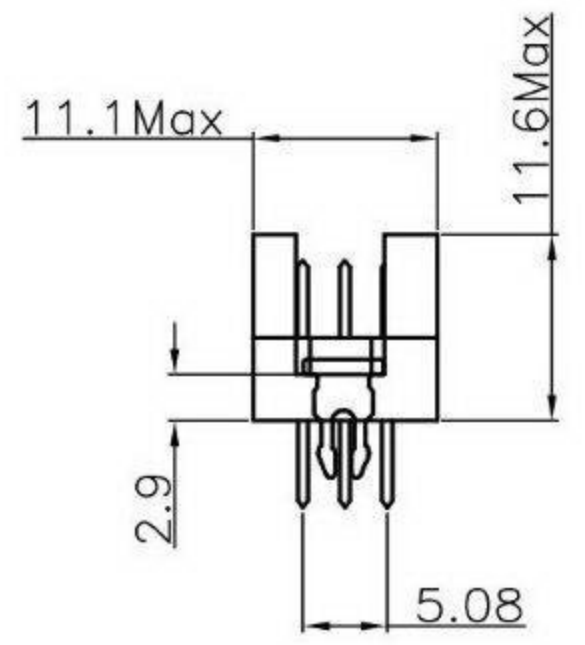
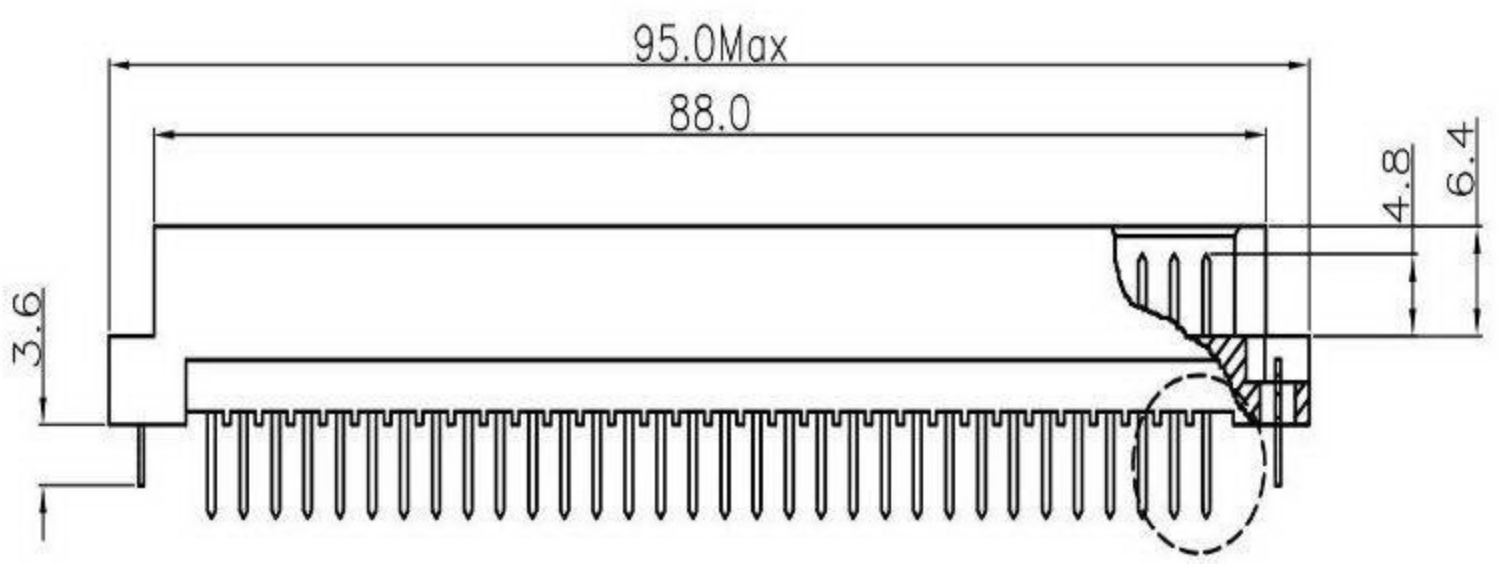
Housing: Thermoplastic Polyester Glass Filled UL94V-0.  
 Contacts: Copper Alloy.  
 Lock: Copper Alloy.

**Electrical Characteristics:**

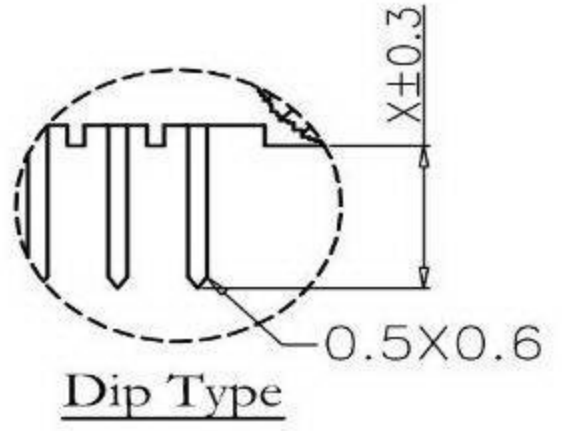
Current Rating: 2 AMP.  
 Dielectric Withstanding Voltage: AC 1000V For 1 minute.  
 Insulator Resistance: 1000M $\Omega$  min. at DC 500V.  
 Contact Resistance: 20m $\Omega$  max. at DC 100mA.  
 Operating Temperature: -55°C~+125°C .

A  
B  
C  
D  
E  
F  
G  
H

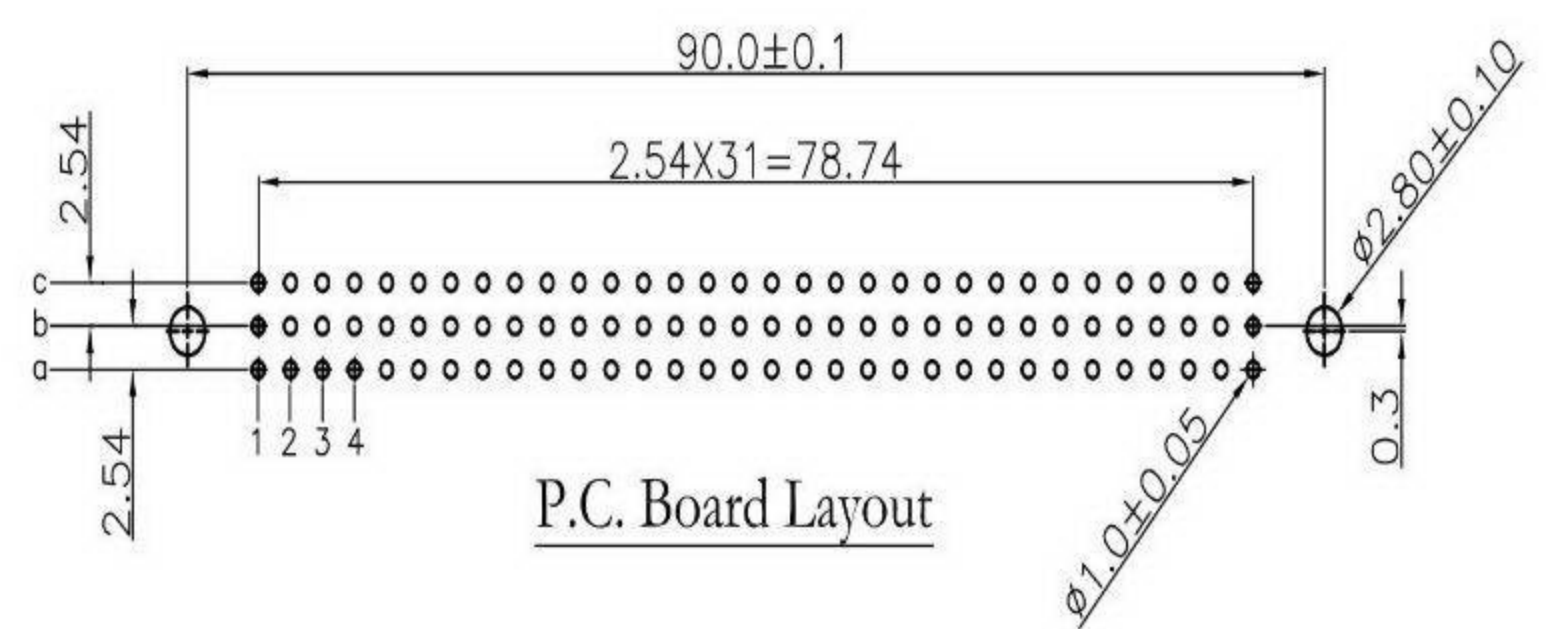
A  
B  
C  
D  
E  
F  
G  
H



| Pitch  | Position | Rows with Contacts | Contact Arrange |
|--------|----------|--------------------|-----------------|
| 2.54mm | 96       | a b c              |                 |
|        | 64       | a - c              |                 |
|        | 32       | a - -              |                 |



| Length | S   | A   | B  | C  |
|--------|-----|-----|----|----|
| X      | 4.0 | 2.5 | 13 | 17 |



RoHS  
Compliant

**HSM** 玄茂科技股份有限公司  
**HSUAN MAO TECHNOLOGY CO., LTD.**

APPD. 核准 BETTY  
 DWG. 製圖 KAREN  
 DATE 制表日 2012/08/24

TOLERANCE  
 x = ±0.5  
 .x = ±0.25  
 .xx = ±0.15  
 SCALE 比例 參考  
 UNIT 單位 MM  
 PAGE 張數 1 OF 1  
 REV. 版本 B

PART NAME 品名  
 DIN 41612 TRIPLE ROW BODY  
 MALE DIP STRAIGHT 2.54mm  
 PART NO.  
 料號 C4163-XXMXAXS0R

1 2 3 4 5 6 7 8