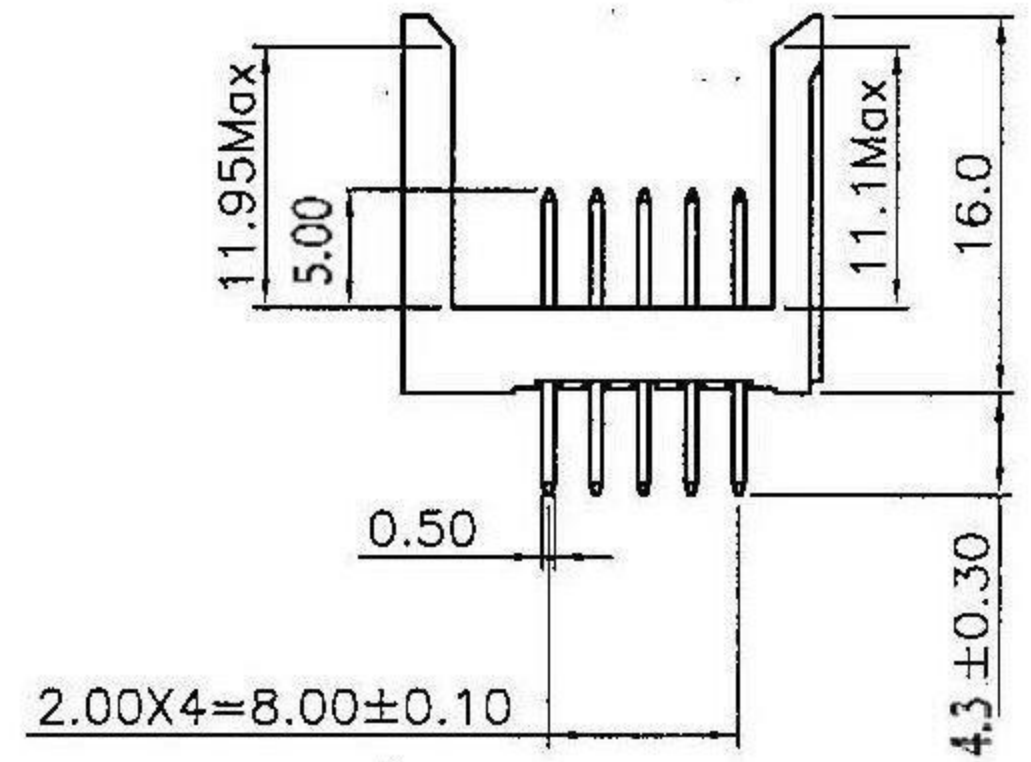
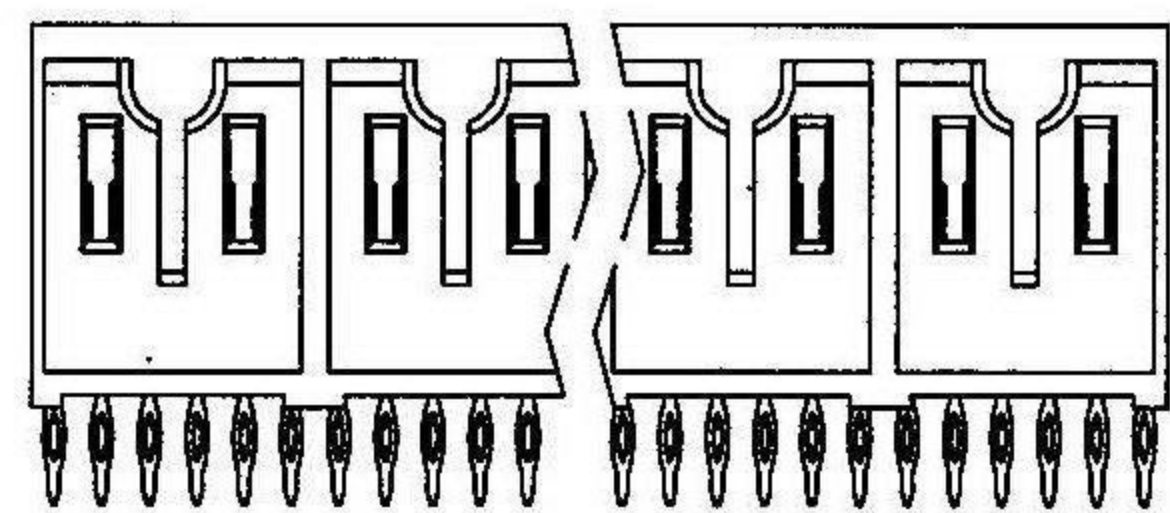


Material:

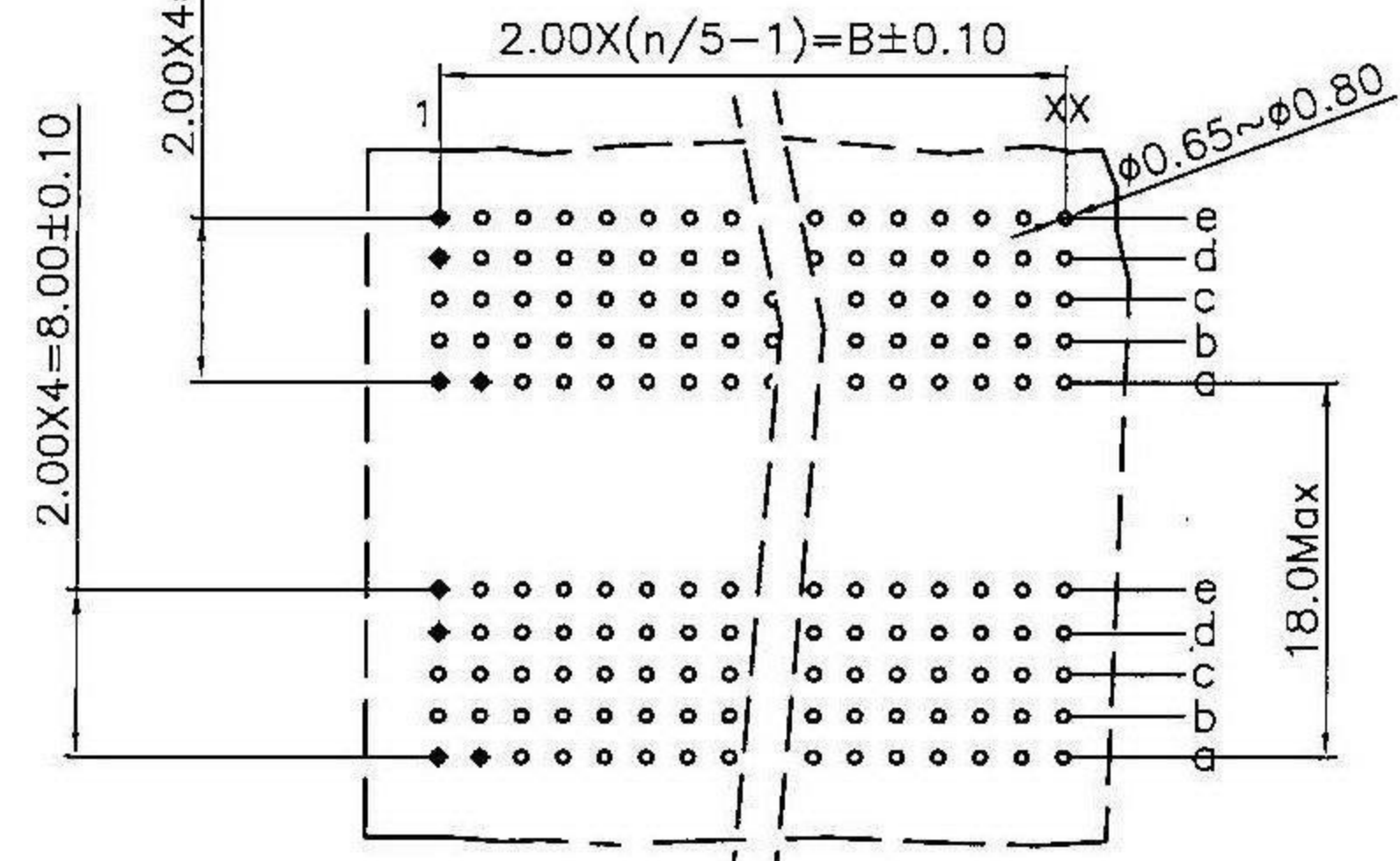
Housing: High Temperature Plastic UL94V-0
 Contacts: Brass.

Electrical Characteristics:

Current Rating: 1 AMP.
 Dielectric Withstanding Voltage: AC 1000V For 1 minute.
 Insulator Resistance: 1000MΩ min. at DC 500V.
 Contact Resistance: 30mΩ max. at DC 100mA.
 Operating Temperature: -65°C~+125°C.



Position (n)	Dimension	
	A	B
30	11.95	10.0
60	23.95	22.0
90	35.95	34.0
120	47.95	46.0
150	59.95	58.0
180	71.95	70.0
210	83.95	82.0
240	95.95	94.0
270	107.95	106.0
300	119.95	118.0
330	131.95	130.0
360	143.95	142.0
390	155.95	154.0



P.C. Board Layout

RoHS Compliant		HSM 玄茂科技股份有限公司 HSUAN MAO TECHNOLOGY CO., LTD.	
APPD. 核准 DWG. 製圖 HELEN DATE 制表日 2011/3/28	SCALE 比例 參考 UNIT 單位 MM PAGE 張數 1 OF 1	TOLERANCE 容許公差 .0 ± 0.25 .00 ± 0.15 ANG. ± SIZE 紙張尺寸 A4 REV. 版本 A	PART NAME 品名 2.0mm H.D. FUTUREBUS 5 ROW XXP MALE SIGNAL STRAIGHT PRESS FIT TYPE CONTACT LENGTH:5.0mm DIP LENGTH:4.3mm SELECTIVE GOLD 10U" PLATING TUBE PACKING ROHS PART NO. 料號 C4200-XXMSAFPTR