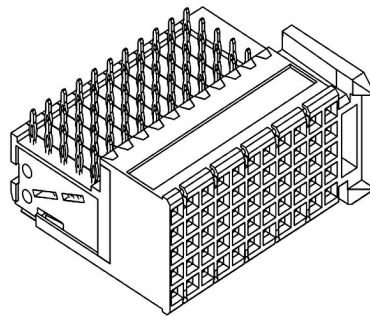
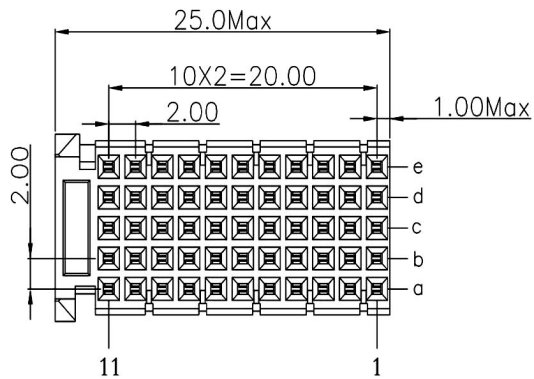


1 2 3 4 5 6 7 8

A



Material:

Housing: Thermoplastic Polyester Glass Filled UL94V-0.
Contacts: Copper Alloy.

Electrical Characteristics:

Current Rating: 1 AMP.
Dielectric Withstanding Voltage: AC 750V For 1 minute.
Insulator Resistance: 1000MΩ min. at DC 500V.
Contact Resistance: 20mΩ max. at DC 100mA.
Operating Temperature: -55°C ~+125°C .

***RoHS Compliant**

Notes:
Without Post.

B

C

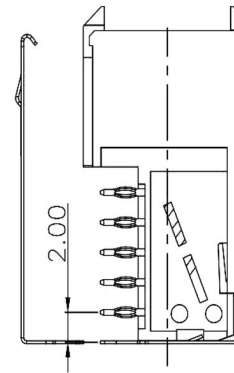
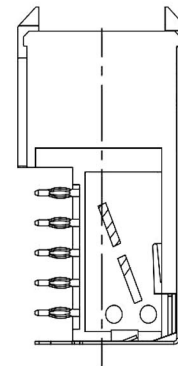
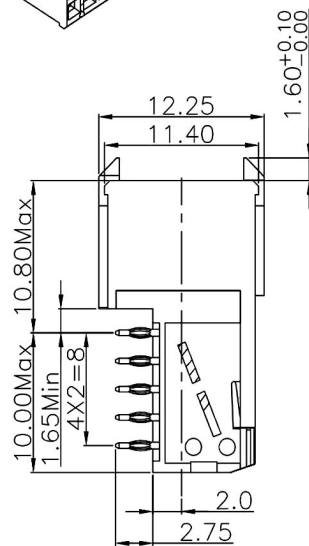
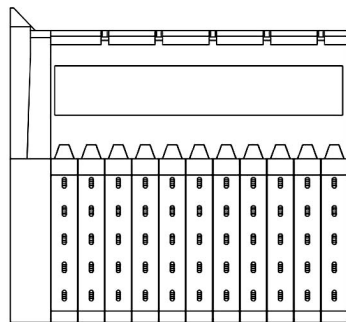
D

E

F

G

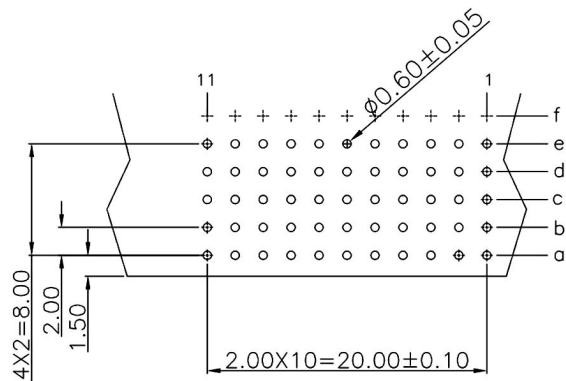
H



N:None Shielded

A:With Top Body Shielded

B:With Top Body Shielded and Bottom Shielded



P.C. Board Layout
(Top View)

RoHS Compliant		玄茂科技股份有限公司 HSUAN MAO TECHNOLOGY CO., LTD.	
APPD. 核准		Tolerances	PART NAME 品名
DWG. 製圖	SCALE 比例 參考	x = ±0.5 .x = ±0.25 .xx = ±0.15	2.0mm HARD METRIC CONNECTOR TYPE C 5 ROW 55PIN(5X11P) FEMALE 90° W/O POST PRESS FIT TYPE DIP L=2.75mm CONTACT AREA: GOLD 10U" DIP AREA: TIN PLATING TUBE PACKING ROHS
DATE 制表日	UNIT 單位	SIZE 紙張尺寸	PART NO.
2019/10/08	M M	A 4	料號 C4202-55FRXAS10TR
	PAGE 張數	REV. 版次	
	1 OF 1	A	

1 2 3 4 5 6 7 8