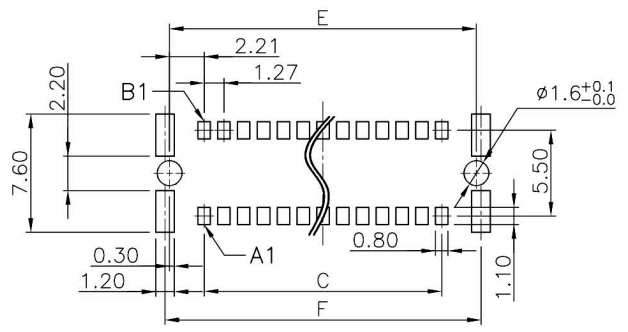
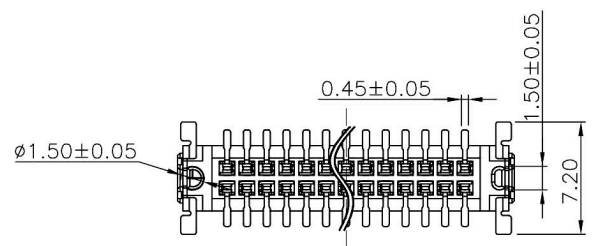
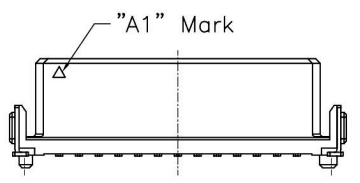
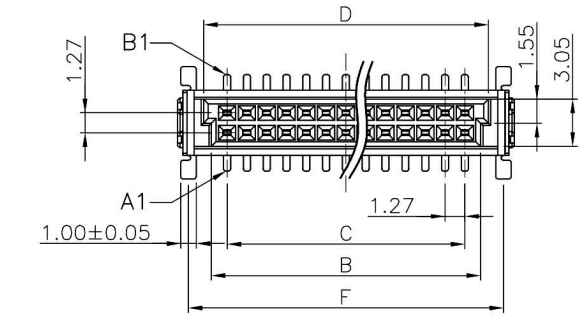
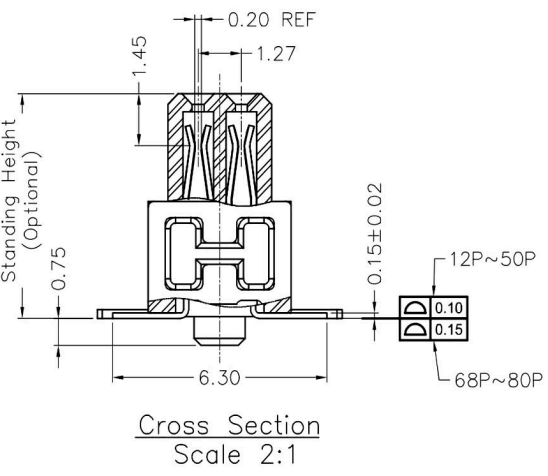


Material:
Housing: LCP, UL94V-0, Black.
Contacts: Phosphor Bronze, Gold Plated on Contact Area and 100u" Tin Plated on Solder Tail over Nickel 50~80u".
Lock: Brass, 100u" Tin Plated over Nickel 40u".

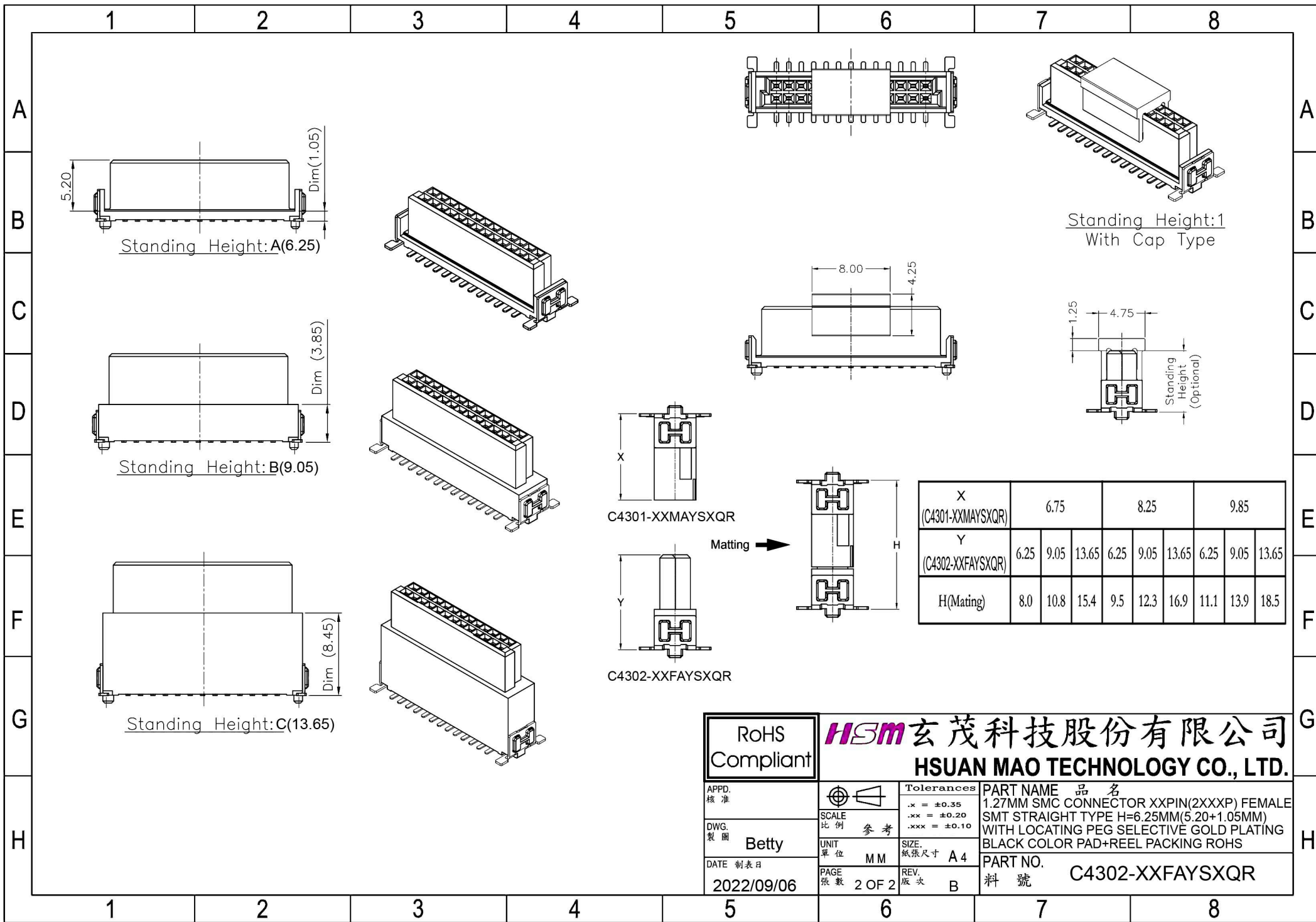
Electrical Characteristics:
Current Rating: 1.7 AMP.
Dielectric Withstanding Voltage: AC 500V.
Insulation Resistance: 1000MΩ min.
Contact Resistance: 25mΩ max.
Operating Temperature: -55°C~+125°C.
*RoHS Compliant

Dimension						
Positions	A	B	C	D	E	F
10	11.43	7.10	5.08	8.10	9.50	10.07
12	12.70	8.37	6.35	9.37	10.77	11.34
16	15.24	10.91	8.89	11.91	13.31	13.88
20	17.78	13.45	11.43	14.45	15.85	16.42
24	20.32	15.99	13.97	16.99	18.39	18.96
26	21.59	17.26	15.24	18.26	19.66	20.23
30	24.13	19.80	17.78	20.80	22.20	22.77
32	25.40	21.07	19.05	22.07	23.47	24.04
40	30.48	26.15	24.13	27.15	28.55	29.12
50	36.83	32.50	30.48	33.50	34.90	35.47
68	48.26	43.93	41.91	44.93	46.33	46.90
80	55.88	51.55	49.53	52.55	53.95	54.52



PCB Layout
Tolerance: ±0.05

RoHS Compliant		HSM 玄茂科技股份有限公司 HSUAN MAO TECHNOLOGY CO., LTD.	
APPD. 核准	SCALE 比例	Tolerances .x = ±0.35 .xx = ±0.20 .xxx = ±0.10	PART NAME 品名 1.27MM SMC CONNECTOR XXPIN(2XXXP) FEMALE SMT STRAIGHT TYPE H=6.25MM(5.20+1.05MM) WITH LOCATING PEG SELECTIVE GOLD PLATING BLACK COLOR PAD+REEL PACKING ROHS
DWG. 製圖	UNIT 單位	SIZE. 紙張尺寸	PART NO.
DATE 制表日	PAGE 張數	REV. 版次	C4302-XXFAYSXQR
2022/09/06	1 OF 2	B	料號



X (C4301-XXMAYSXQR)	6.75	8.25	9.85						
Y (C4302-XXFAYSXQR)	6.25	9.05	13.65	6.25	9.05	13.65	6.25	9.05	13.65
H(Mating)	8.0	10.8	15.4	9.5	12.3	16.9	11.1	13.9	18.5

RoHS Compliant		HSM 玄茂科技股份有限公司 HSUAN MAO TECHNOLOGY CO., LTD.	
APPD. 核准	SCALE 比例 參考	Tolerances .x = ±0.35 .xx = ±0.20 .xxx = ±0.10	PART NAME 品名 1.27MM SMC CONNECTOR XXPIN(2XXXP) FEMALE SMT STRAIGHT TYPE H=6.25MM(5.20+1.05MM) WITH LOCATING PEG SELECTIVE GOLD PLATING BLACK COLOR PAD+REEL PACKING ROHS
DWG. 製圖 Betty	UNIT 單位 MM	SIZE 紙張尺寸 A 4	PART NO. 料號 C4302-XXFAYSXQR
DATE 制表日 2022/09/06	PAGE 張數 2 OF 2	REV. 版次 B	