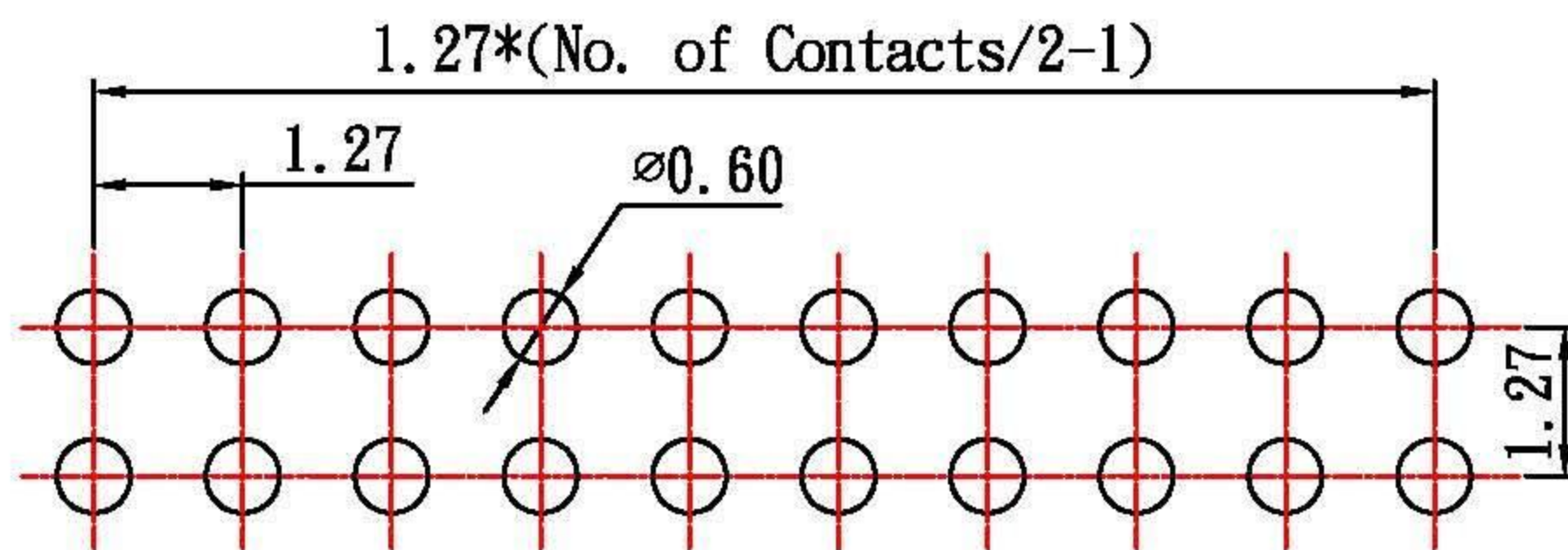
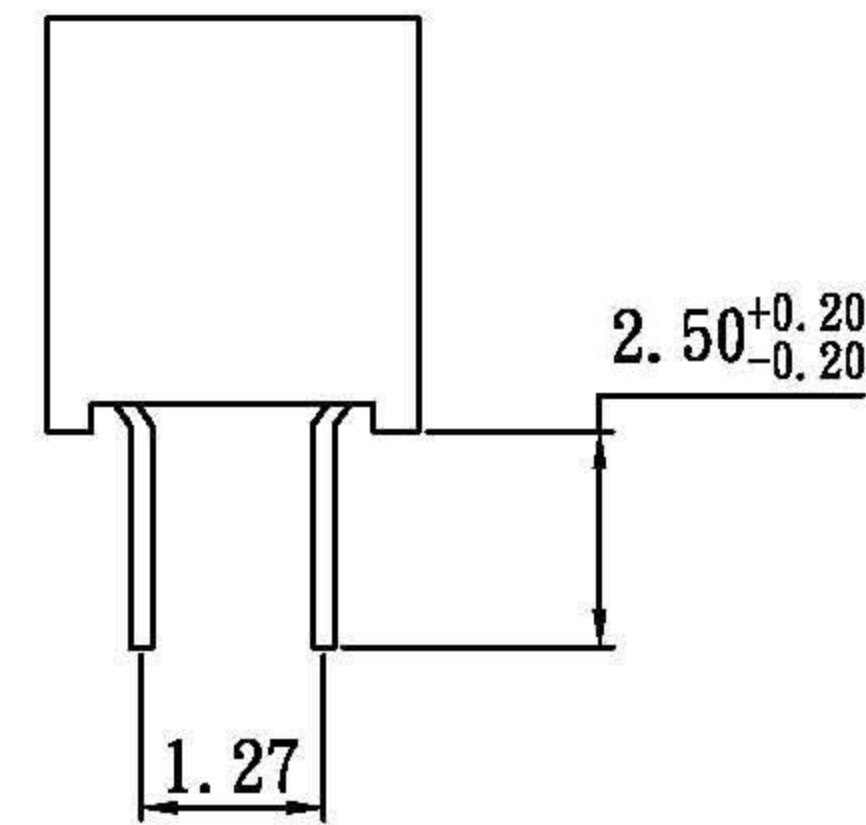
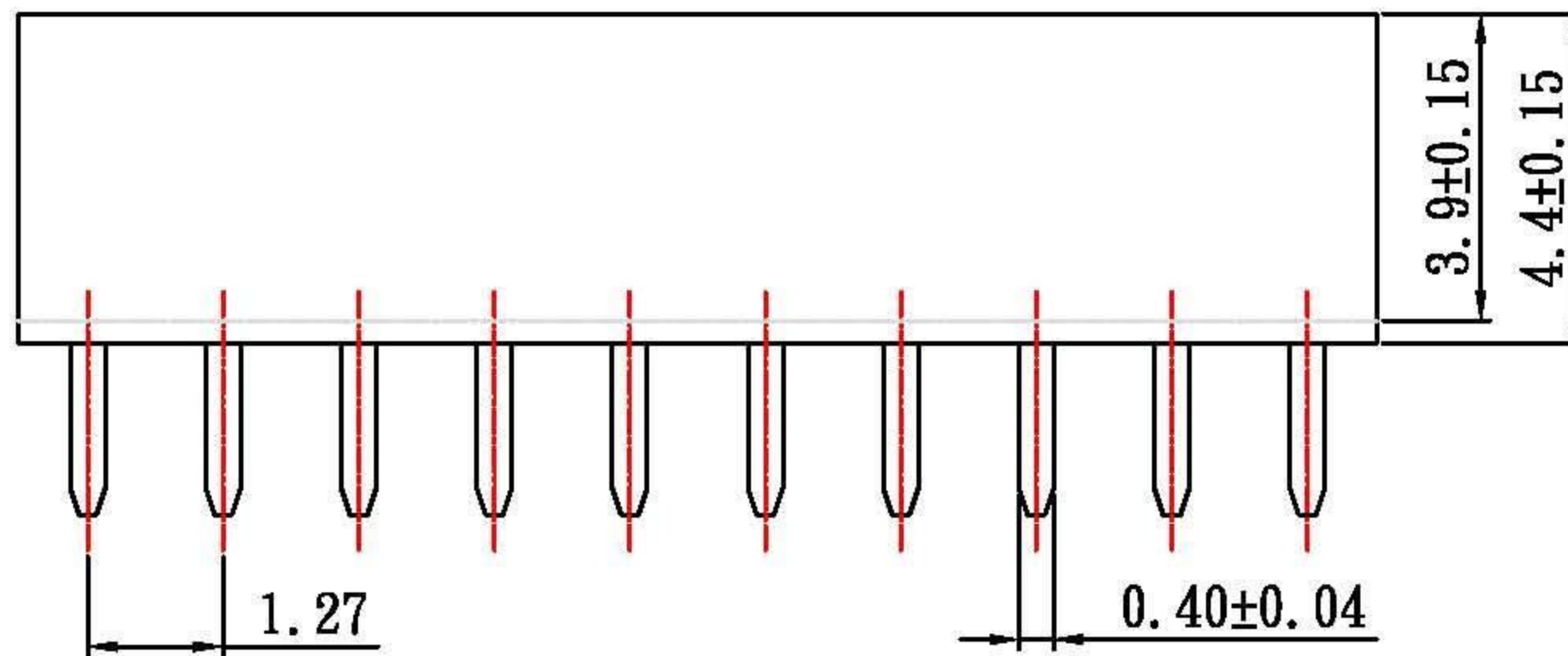


Specifications

Current Rating: 1 Amp.  
 Insulation Resistance: 5000Megohms Min.  
 Dielectric Withstanding Voltage: AC 500V  
 Operation Temperature: -40°C ~ +105°C.  
 Max. Processing Temp: 230°C For 30~80 Seconds  
 (260°C For 10 Seconds)  
 Contact Material: Phosphor Bronze  
 Housing: LCP (UL94V-0)



P. C. B Layout

<b>RoHS Compliant</b>		<b>HSM 玄茂科技股份有限公司</b> Hsuan Mao Technology CO., LTD.	
APPD. Betty	SCALE 参考	TOLERANCE .0 ±.35 .00 ±.25 .000 ±.05	PART NAME 品名
DWG. Karen		UNIT M M	1.27*1.27mm FEMALE HEADER DUAL ROW H:4.3mm 2*XXP STRAIGHT TYPE W/O LOCATING PEGS ROHS
DATE 2013/03/27	PAGE 1 OF 1	SIZE A 4 REV. C	PART NO. 料號 C4828-XXBSXHNXR