

Type A Lock

Material:

Housing: LCP, UL94V-0, Black.

Contacts: Phosphor Bronze, Gold Plated on Contact Area and Matte Tin Plated on Solder Tail over Nickel 50 u" Min.

Counterweight: Brass

Latches: Brass

Electrical Characteristics:

Current Rating: 1.4 AMP.

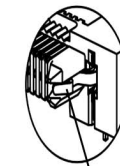
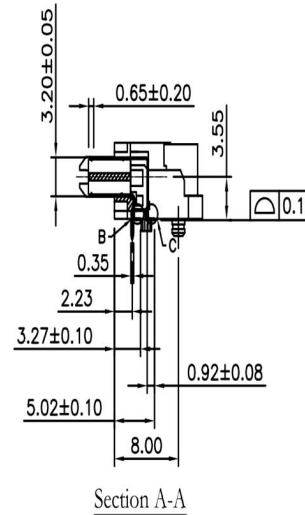
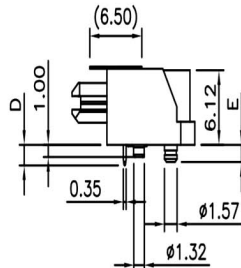
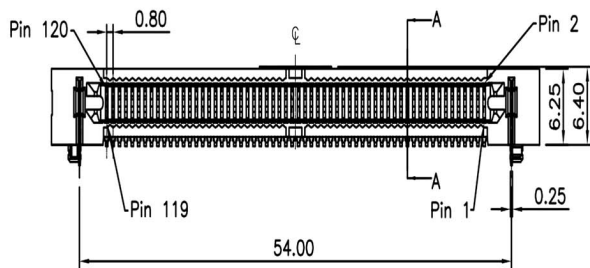
Dielectric Withstanding Voltage: AC 900V.

Insulation Resistance: 50000MΩ min.

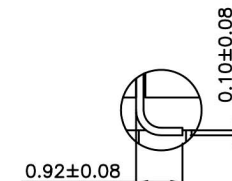
Contact Resistance: Δ15mΩ max.

Operating Temperature: -55°C~+125°C.

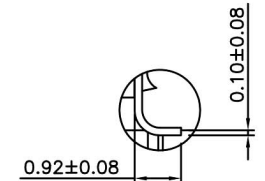
***RoHS Compliant**



Type B Lock

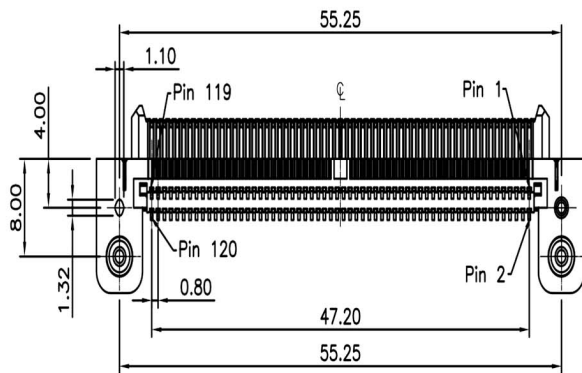


Detail B
Scale 5:1



Detail C
Scale 5:1

PCB Thickness	Code	Lock	Metal Post
Dimension		D	E
1.58	1	1.68	1.40
2.36	2	2.46	2.19



RoHS
Compliant

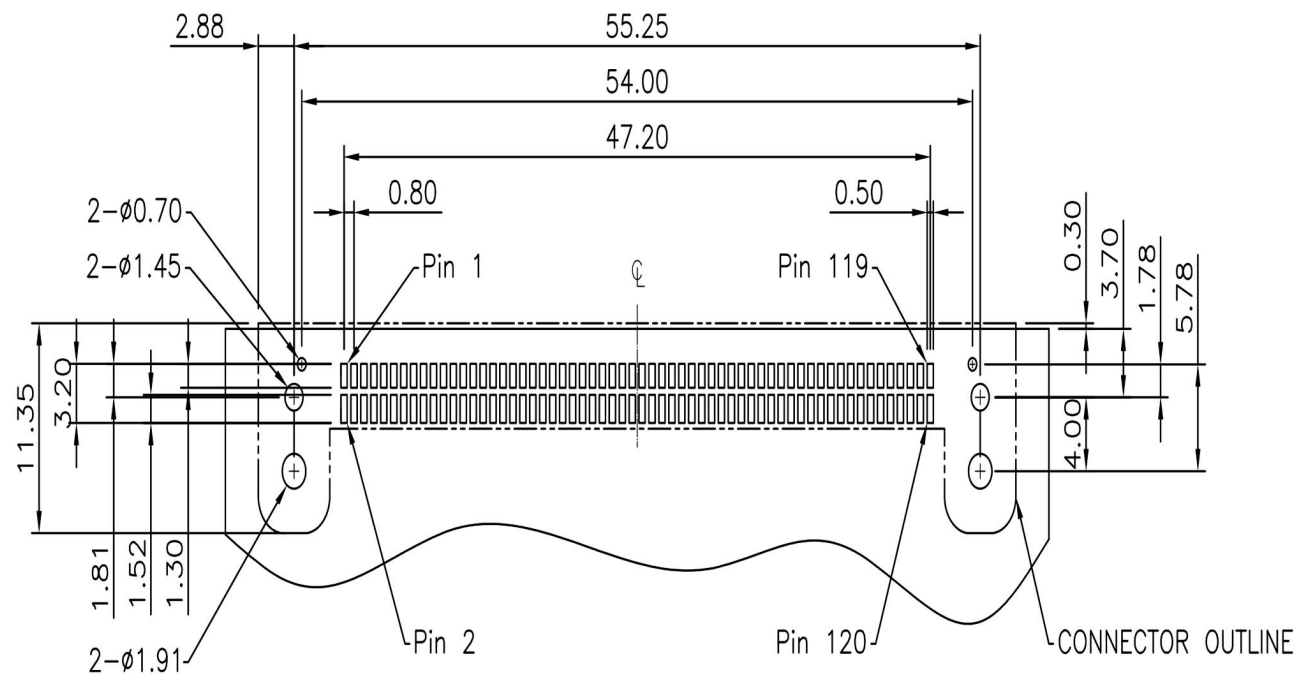
HSM 玄茂科技股份有限公司
HSUAN MAO TECHNOLOGY CO., LTD.

APPD.
核准
Betty
DWG.
製圖
DATE 制表日
2019/12/19

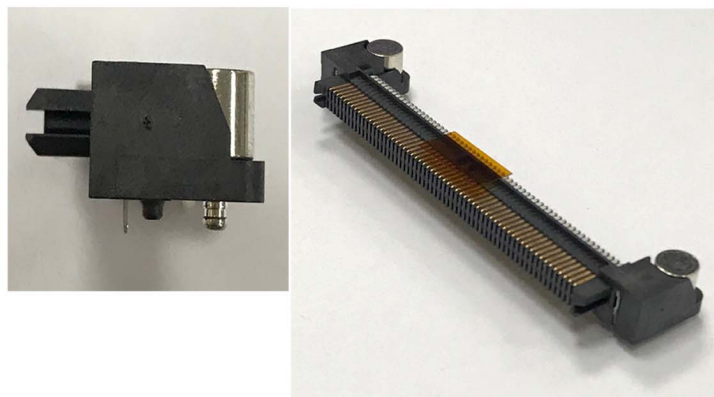
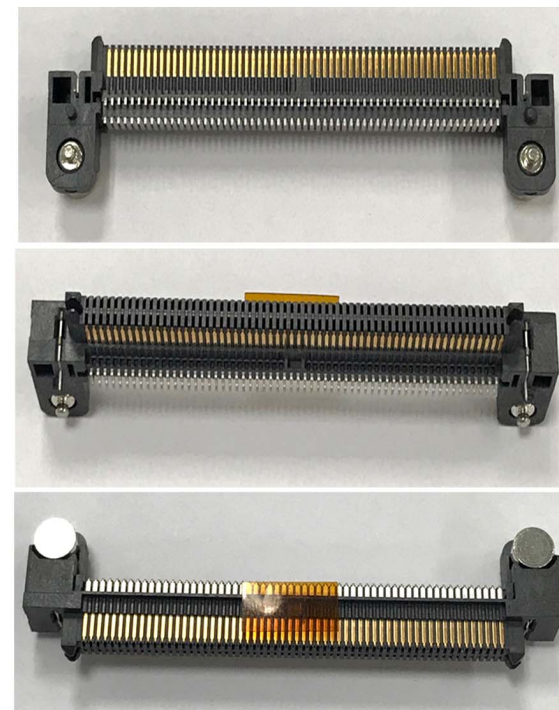
SCALE
比例 參考
UNIT
單位 M M
PAGE
張數 1 OF 2

Tolerances
× = ±0.50
.x = ±0.25
.xx = ±0.15
SIZE:
紙張尺寸 A 4
REV.
版次 A

PART NAME 品名
0.8mm High Speed Board To Board Connector 120P
Male SMT Type H=6.25mm Selective Gold 10U" Plating
Sigma Pin: 1.35mm With Metal Post With Plastic Post
File+Reel Packing ROHS
PART NO.
料號 C6013-C0MYAXAFFR



Recommended PCB Layout



RoHS Compliant		HSM 玄茂科技股份有限公司 HSUAN MAO TECHNOLOGY CO., LTD.	
APPD. 核准		Tolerances x = ±0.50 .x = ±0.25 .xx = ±0.15	PART NAME 品名 0.8mm High Speed Board To Board Connector 120P Male SMT Type H=6.25mm Selective Gold 10U" Plating Signa Pin:1.35mm With Metal Post With Plastic Post File+Reel Packing ROHS
DWG. 製圖	Betty	SCALE 比例 參考	PART NO. 料號 C6013-C0MYAXAFFR
DATE 制表日 2019/12/19	UNIT 單位 MM	SIZE. 紙張尺寸 A4	
	PAGE 張數 2 OF 2	REV. 版次 A	