

1

2

3

4

5

6

7

8

A

B

C

D

E

F

G

H

A

B

C

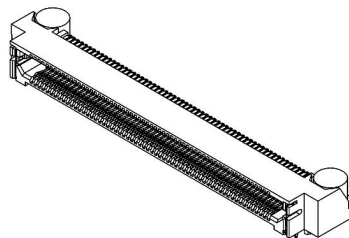
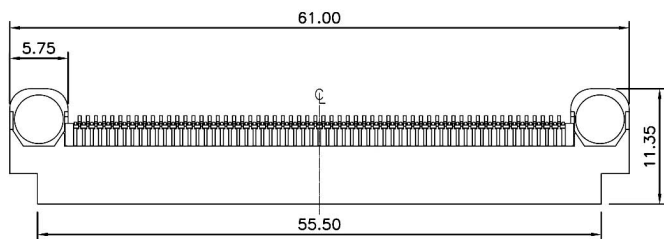
D

E

F

G

H

**Material:**

Housing: LCP, UL94V-0, Black.

Contacts: Phosphor Bronze, Gold Plated on Contact Area and Matte Tin Plated on Solder Tail over Nickel 50 u" Min.

Counterweight: Brass

Latches: Phosphor Bronze

Electrical Characteristics:

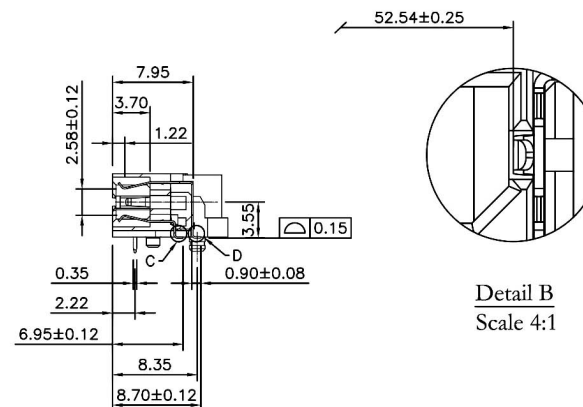
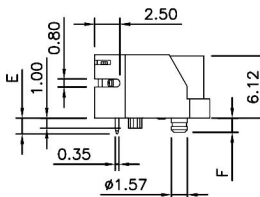
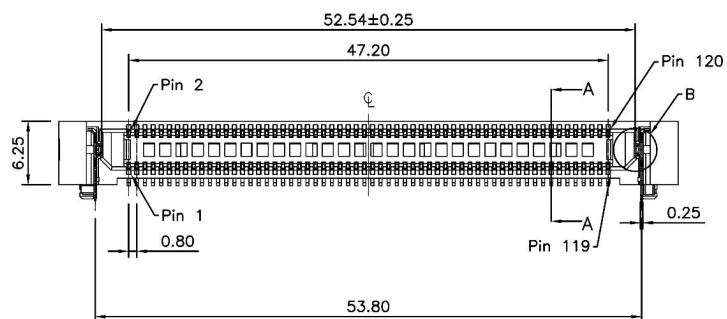
Current Rating: 1.4 AMP.

Dielectric Withstanding Voltage: AC 900V.

Insulation Resistance: 50000MΩ min.

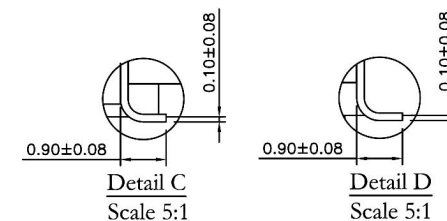
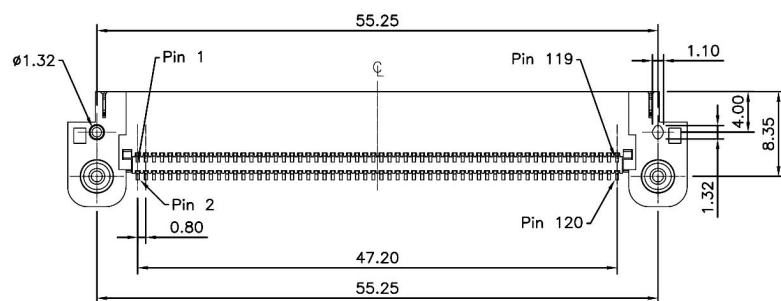
Contact Resistance: Δ15mΩ max.

Operating Temperature: -55°C~+125°C.

***RoHS Compliant**Detail B
Scale 4:1

PCB Thickness	Code	Lock	Metal Post
Dimension		E	F
1.58	1	1.55	1.40
2.36	2	2.34	2.19

Section A-A

Detail C
Scale 5:1Detail D
Scale 5:1RoHS
Compliant

HSM 玄茂科技股份有限公司
HSUAN MAO TECHNOLOGY CO., LTD.

APPD.
核准DWG.
製圖

DATE 制表日

2019/12/19

SCALE
比例 參考UNIT
單位 M MPAGE
張數 1 OF 2

Tolerances

x = ±0.50
.x = ±0.25
.xx = ±0.15SIZE
紙張尺寸 A 4REV.
版次 APART NAME 品名
0.8mm High Speed Board To Board Connector
120P Female SMT Type H=6.25mm
With Metal Post With Lock With Plastic Post
ROHSPART NO.
料號 C6014-C0FYXYXXR

1

2

3

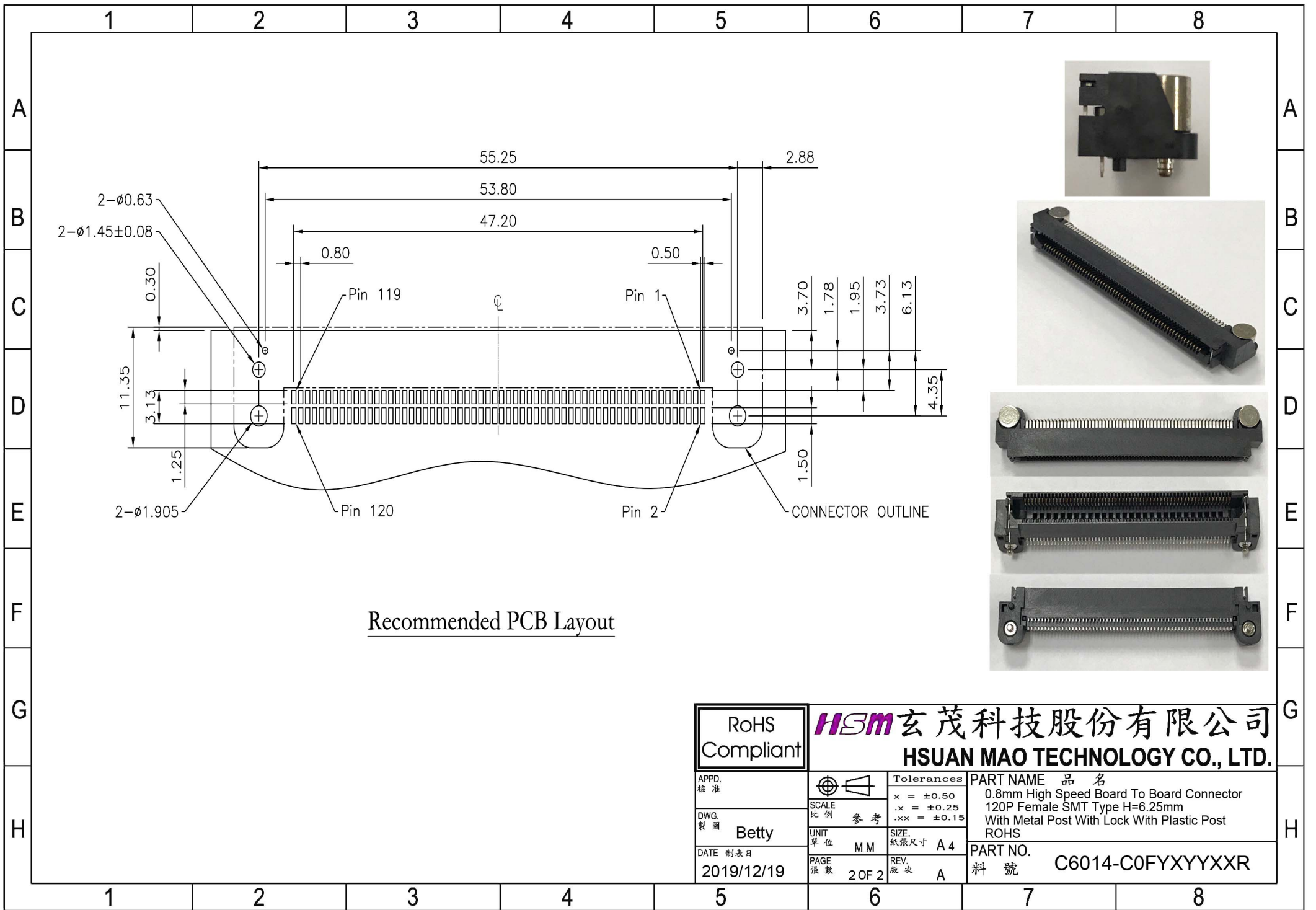
4

5

6

7

8



Recommended PCB Layout

RoHS Compliant		HSM 玄茂科技股份有限公司 HSUAN MAO TECHNOLOGY CO., LTD.	
APPD. 核准		Tolerances x = ±0.50 .x = ±0.25 .xx = ±0.15	PART NAME 品名 0.8mm High Speed Board To Board Connector 120P Female SMT Type H=6.25mm With Metal Post With Lock With Plastic Post ROHS
DWG. 製圖 Betty	SCALE 比例 參考	SIZE. 紙張尺寸 A4	PART NO. 料號 C6014-C0FYXYYXXR
DATE 制表日 2019/12/19	UNIT 單位 MM	REV. 版次 A	
PAGE 張數 2 OF 2			