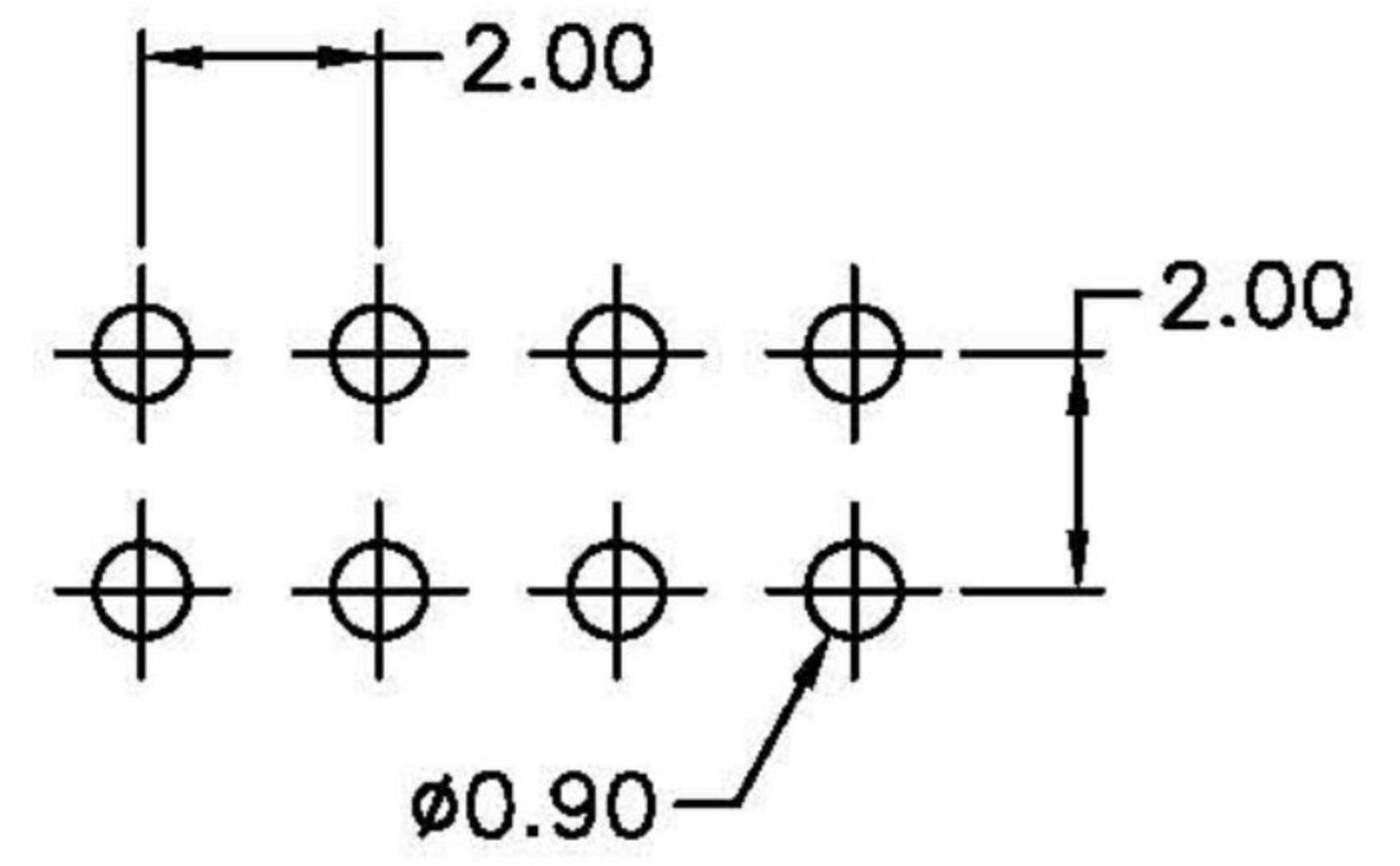


Specifications
 Current Rating: 2Amp
 Insulation Resistance: 1000MΩMin.
 Dielectric Withstanding: 500VAC
 Contact Resistance: 20mΩMax.
 Operating Temperature: -40°C to +105°C
 Materials
 Contact Material: Brass
 Insulator Material: Polyester, UL 94V-0
 NYLON 6T

Recommended P.C.Board Layout
 (Tolerance: ±0.05)



RoHS Compliant		HSM 玄茂科技股份有限公司 HSUAN MAO TECHNOLOGY CO., LTD.	
APPD. 核准 HELEN	SCALE 比例 參考	TOLERANCE 容許公差	PART NAME 品名 2.0mm X 2.0mm PIN HEADER DUAL ROW H=4.0mm STRAIGHT TYPE 2XXXP GOLD FLASH PLATING (C=4.0mm D=2.8mm) ROHS
DWG. 製圖 ABBY		UNIT 單位 MM	
DATE 制表日 2012/10/17	PAGE 張數 1 OF 1	REV. 版次 A	PART NO. 料號 C6300-XXBSGASOR