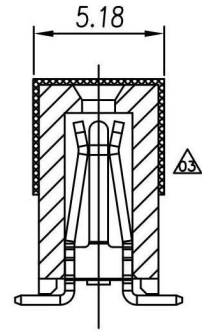
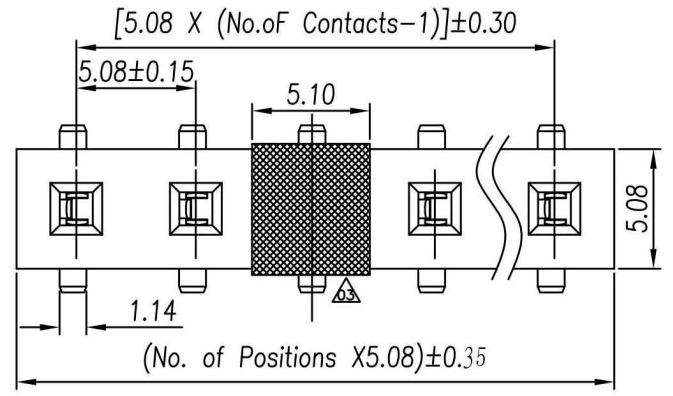


1 2 3 4 5 6 7 8

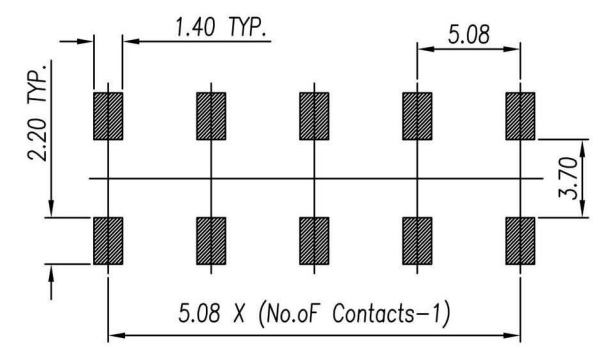
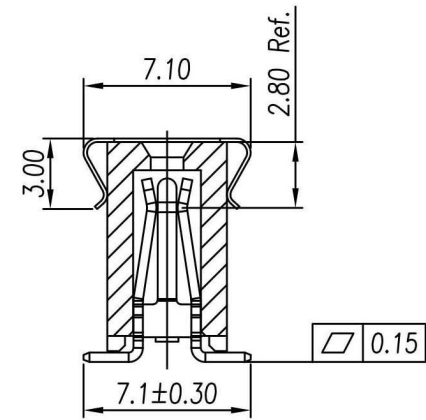
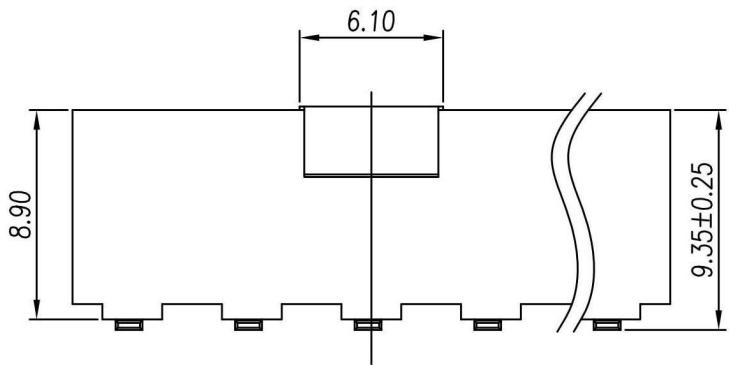
A
B
C
D
E
F
G
H

A
B
C
D
E
F
G
H



NOTES:
 1. UNLESS OTHERWISE SPECIFIED,ALL TOLERANCES FOLLOW DRAWING COMMON STANDARD.
 2. MATERIAL:
 -HOUSING- LCP +30%G.F. FLAMMABILITY UL-94-0 OR OTHER HIGH LEVEL PLASTIC, COLOR:BLACK.
 -TERMINAL- PHOSPHOR BRONZE
 - CAP - Steel.

Recommended P.C.B. Layout
 (Tolerance:±0.05)



RoHS Compliant		HSM 玄茂科技股份有限公司 HSUAN MAO TECHNOLOGY CO., LTD.								
APPD. 核准	SCALE 比例 参考	GENERAL TOLERANCE	PART NAME 品名							
DWG. 製圖		<table border="1"> <tr> <td>X' ± 3.0'</td> <td>X ± 0.25</td> </tr> <tr> <td>.X' ± 2.0'</td> <td>.X ± 0.20</td> </tr> <tr> <td>.XX' ± 1.0'</td> <td>.XX ± 0.13</td> </tr> <tr> <td>.XXX' ± 0.5'</td> <td>.XXX ± 0.08</td> </tr> </table>	X' ± 3.0'	X ± 0.25	.X' ± 2.0'	.X ± 0.20	.XX' ± 1.0'	.XX ± 0.13	.XXX' ± 0.5'	.XXX ± 0.08
X' ± 3.0'	X ± 0.25									
.X' ± 2.0'	.X ± 0.20									
.XX' ± 1.0'	.XX ± 0.13									
.XXX' ± 0.5'	.XXX ± 0.08									
DATE 制表日	UNIT 單位	SIZE. 紙張尺寸	MATTE TIN PLATING							
2015/03/12	M M	A 4	BLACK COLOR ROHS							
	PAGE 張數	REV. 版次	PART NO. 料號							
	1 OF 1	A	C6900-XXADYHX0R							

1 2 3 4 5 6 7 8