

1 2 3 4 5 6 7 8

A

B

C

D

E

F

G

H

A

B

C

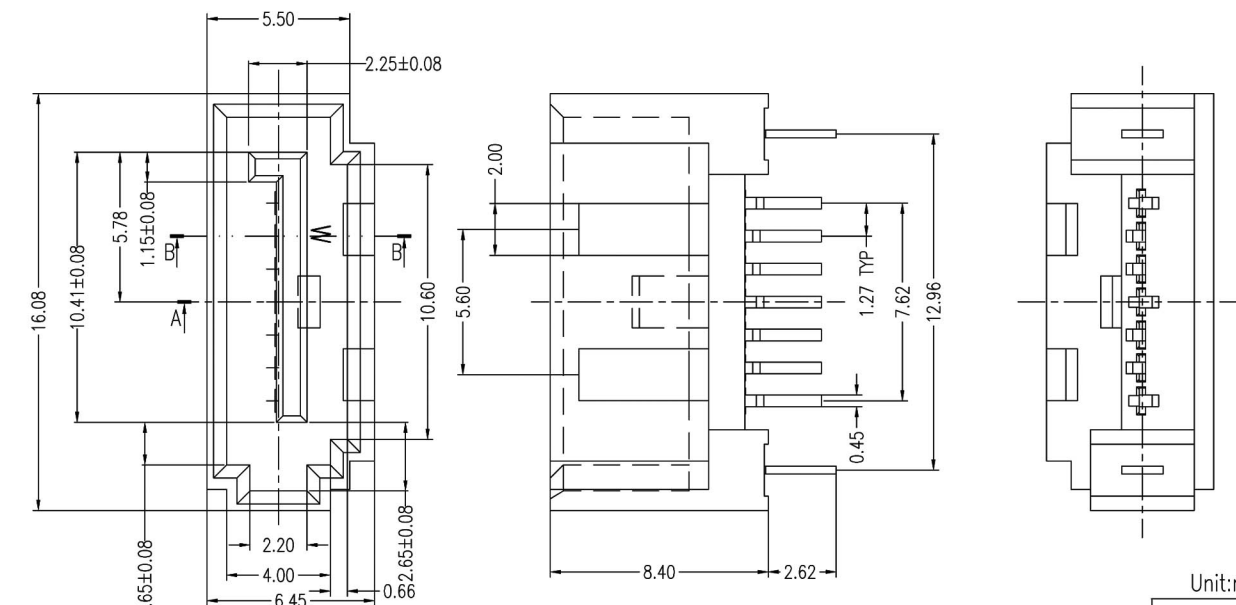
D

E

F

G

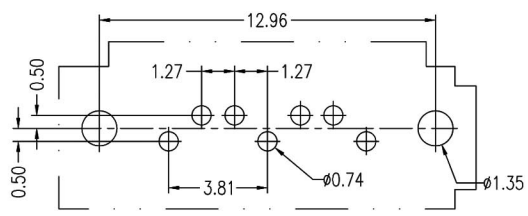
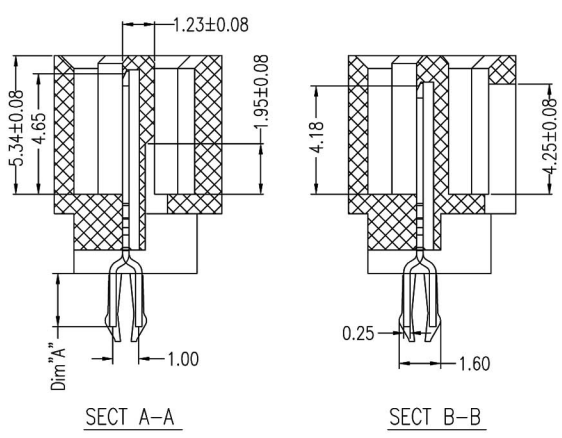
H



NOTES:

- Material:**
 Housing: Nylon46, UL 94V-0 rated.
 Color: Black.
 Contact: Brass
 Plating: Gold Plating over Nickel on Contact Area.
 Tin Plating on Solder tail.
 Harpoon: Brass.
 Plating: Tin Plating over Nickel.
- Mechanical:**
 Insertion Force: 45N Max.
 Withdrawal Force: 10N Min.
 Durability: 500 Cycles
- Electrical Specification:**
 Current Rating: 1.5 Ampere per Contact.
 Contact Resistance: 30mΩ Max.
 Insulation Resistance: 1000MΩ Min.
 Dielectric Withstanding Voltage: 500 VAC.
- Environmental:**
 Operating Temperature: -55°C to +85°C

Unit:mm
 Dim`A`
 2.15~2.30



P.C.B. Layout
(T=1.60mm)

RoHS Compliant		HSM 玄茂科技股份有限公司		HSUAN MAO TECHNOLOGY CO., LTD.	
APPD. 核准		DECIMALS X ± .38	ANGLES ± 3°	PART NAME 品名	
DWG. 製圖	Hedy	SCALE 比例 參考	SIZE. 紙張尺寸 A 4	ATA CONNECTOR 7P MALE STRAIGHT DIP PLASTIC BODY + METAL POSTS SELECTIVE GOLD 15U" BLACK INSULATOR ROHS	
DATE 制表日	2015/10/30	UNIT 單位 MM	REV. 版次 A	PART NO. 料號 C7000-07MSPHB0R	
		PAGE 張數 1 / 1			

1 2 3 4 5 6 7 8