

SPECIFICATION

MATERIAL

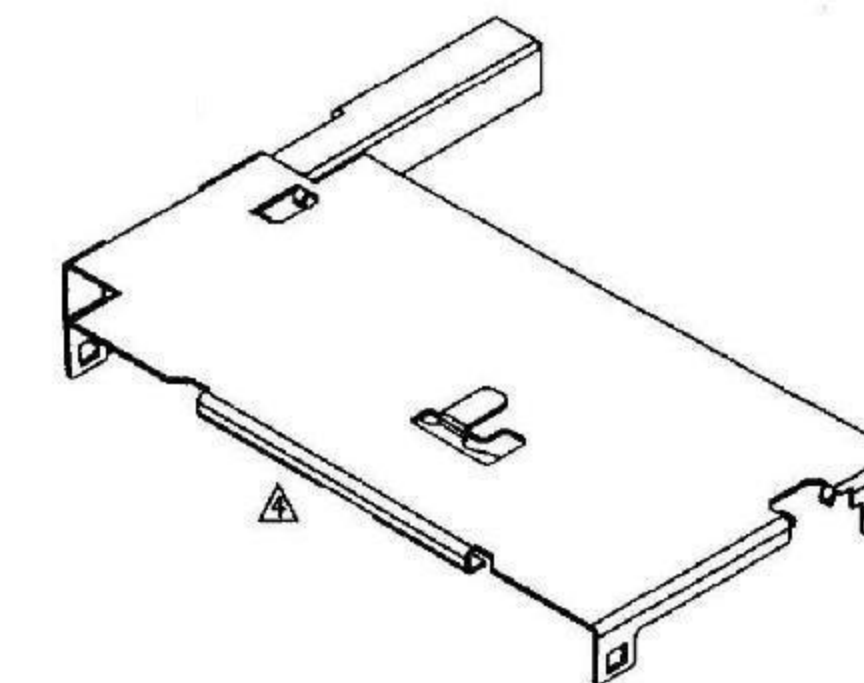
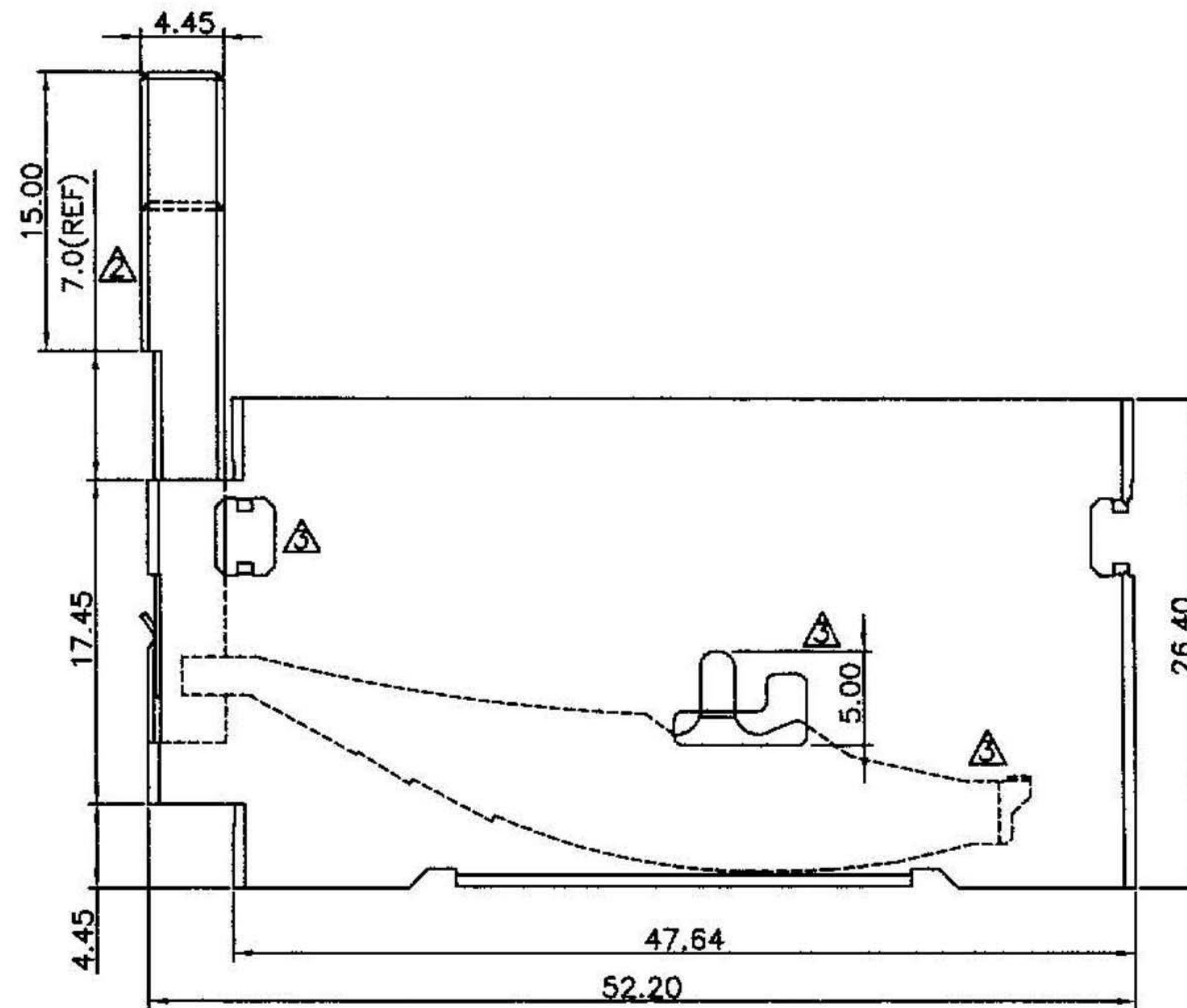
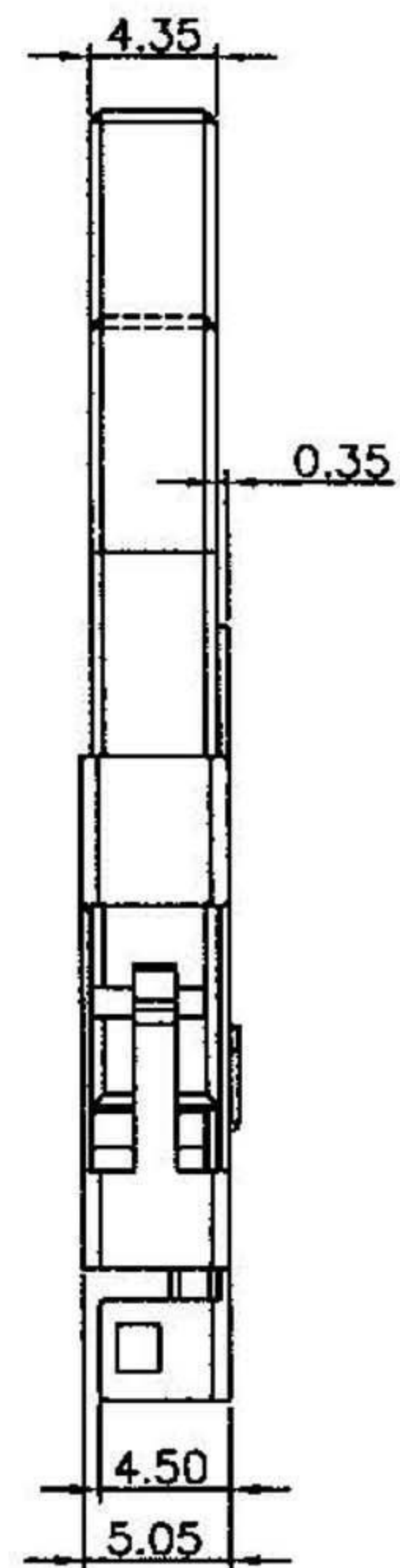
Push Button: Glass Reinforced PBT UL94V-0

Cover: Stainless Steel

Pivot Shell: Stainless Steel

SPECIFICATION (規格說明)

PUSH & PULL CYCLE (推壓次數)	TEST TO 10,000
INSULATION RESISTANCE (絕緣阻抗)	NO
CONTACT RESISTANCE(SIGNAL) (接觸阻抗)	NO
DIELECTRIC WITHSTANDING VOLTAGE (耐電壓衝擊)	NO
OP. TEMPERATURE (操作溫度)	-10°C to +70°C
PUSH EJECT BUTTON FORCE	4 Kg Max
PRESS-FIT RETENTION FORCE (插入 PCB 夾持力)	NO
CONTACT RETENTION IN HOUSING (端子與膠芯夾持力)	NO



RoHS Compliant		HSM 玄茂科技股份有限公司 HSUAN MAO TECHNOLOGY CO., LTD.	
APPD. 核准 BETTY	SCALE 比例 參考	TOLERANCE 容許公差 ANG. ±5° 0. ±0.5 .0 ±0.3 .00 ±0.2	PART NAME 品名 7753-AA-1 CF CARD SOCKET TYPE 1 15MM ROHS LOW-LEAD
DWG. 製圖 KAREN		UNIT 單位 MM	SIZE. 紙張尺寸 A 4
DATE 制表日 2012/08/28	PAGE 張數 1 OF 1	REV. 版次 B	PART NO. 料號 C7754-DEA00000R