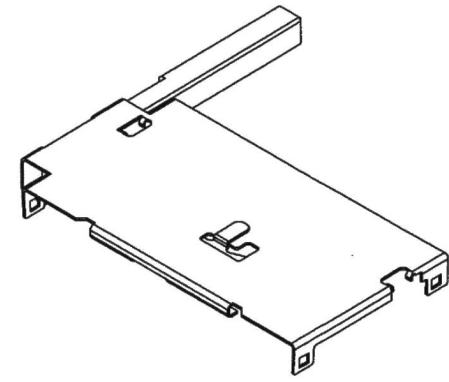


SPECIFICATION
MATERIAL
 Push Button: Thermal Plastic UL94V-0
 Cover: Stainless Steel
 Pivot Shell: Stainless Steel
 ⚠ Rated Voltage: 35V/AC Max



○ For SIP
 (ST) For cmk/cpk

⚠※
 When assemble ejector shell to C.F Connector
 one side snapped then other side

APPD. 核准 Angel		SCALE 比例 参考	UNLESS OTHERWISE SPECIFIED TOLERANCE ANG. ±5° 0. ±0.5 .0 ±0.3 .00 ±0.2	PART NAME 品名	
DWG. 製圖 Yumi				EJECTOR FOR CF CARD SOCKET TYPE 2 22.05MM ROHS LOW-LEAD	
DATE 制表日 2010/02/11		UNIT 單位 M M	SIZE. 紙張尺寸 A 4	PART NO.	
PAGE 張數 1 OF 1		REV. 版次 A	料號 C7754-DEC00000R		

RoHS Compliant **HSM** 玄茂科技股份有限公司
HSUAN MAO TECHNOLOGY CO., LTD.