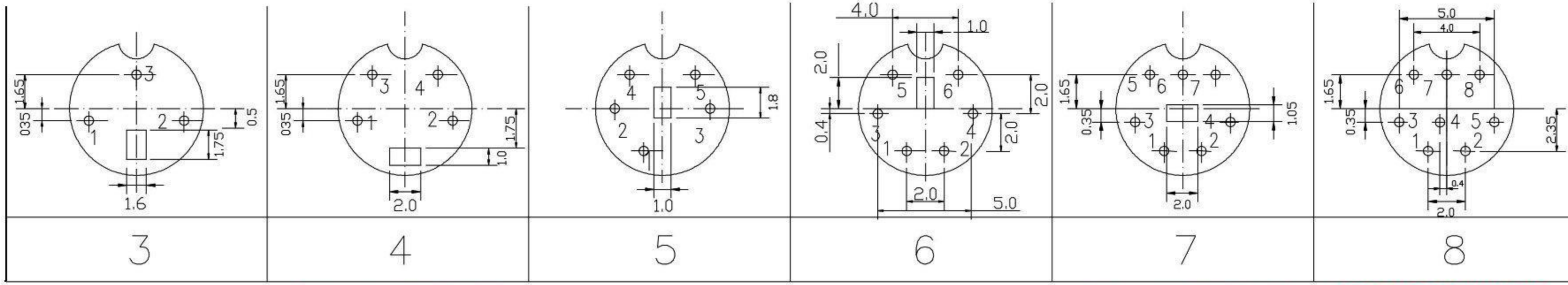


1 2 3 4 5 6 7 8

A



A

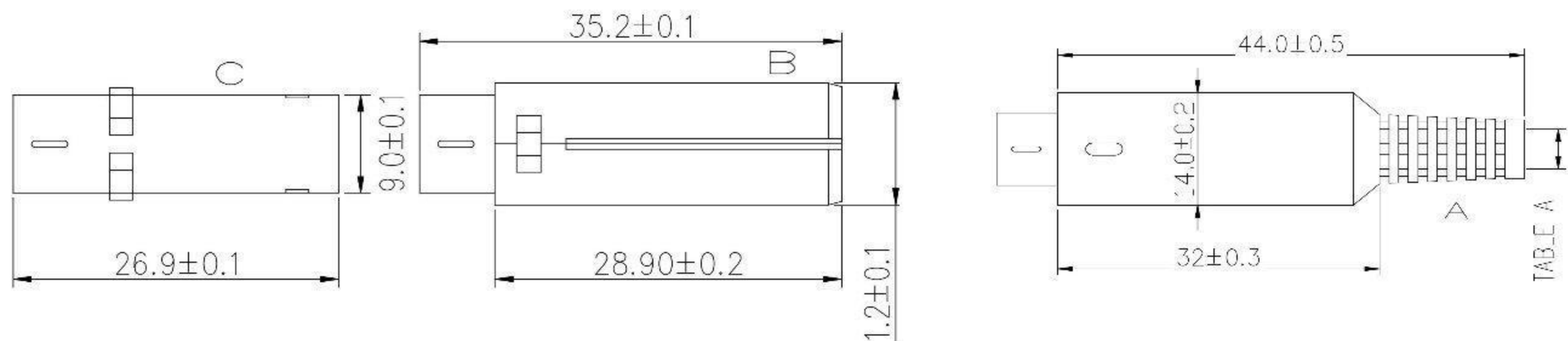
B

B

C8011-03MBVB02R C8011-04MBVB01R C8011-05MBVB01R C8011-06MBVB02R C8011-07MBVB01R C8011-08MBVB01R

C

C



○	7.0φ BACK SHELL
○	6.0φ BACK SHELL
○	5.0φ BACK SHELL (STANDARD)
	COVER DIM.

TABLE A

D

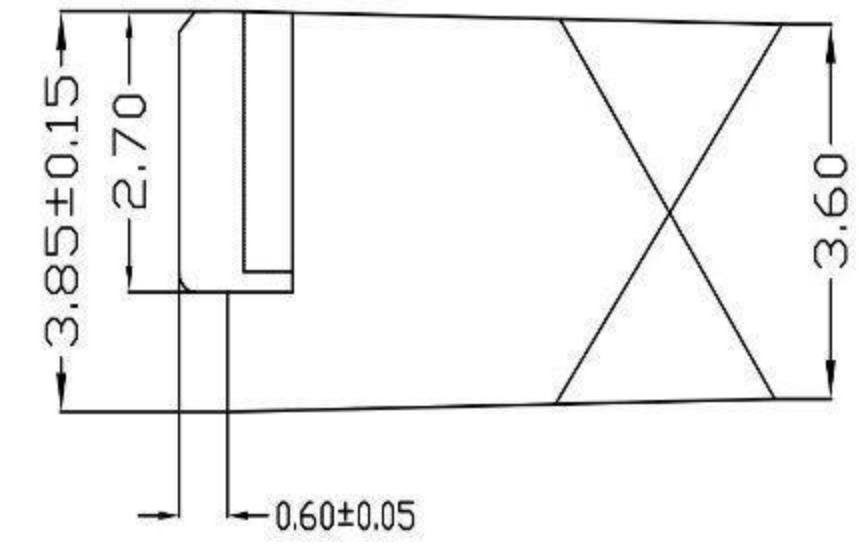
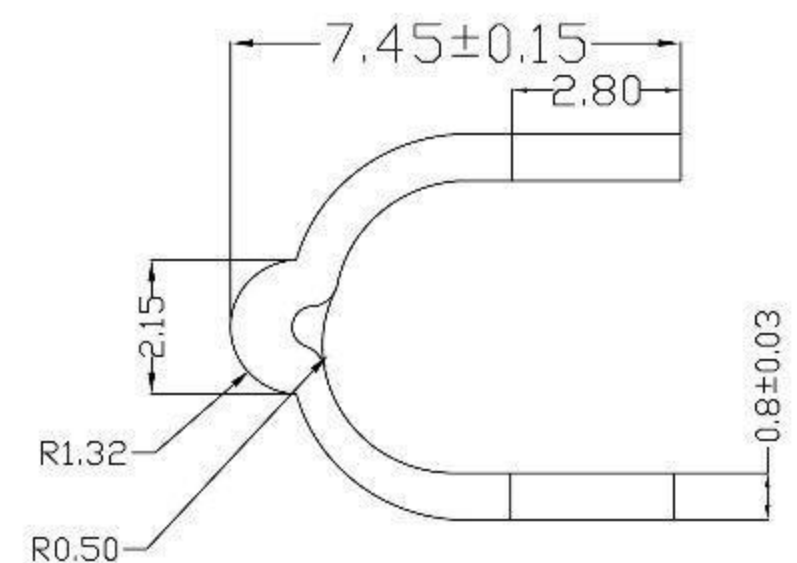
D

SPECIFICATIONS:

- 1.RATING:100V AC 1A MAX
- 2.INSULATION RESISTANCE: 50M OHM MIN AT 500V DC.
3. DIELECTRIC STRENGTH: 500V AC / 1 MINUTE.
- 4.INSERTION FORCE: 4.5KG MAX.
- 5.WITHDRAWAL FORCE: 0.9KG ~ 3KG.

MATERIAL:

- A.COVER: EVA+PE-LL
- B.SHELL: ABS(PA-757)
- C.METAL SHIELD:
BRASS NICKEL PLATED
- D.HOUSING: NY6+FB (PA-1010C2)
- E.CONTACT:
BRASS SILVER PLATED



SR NOTES

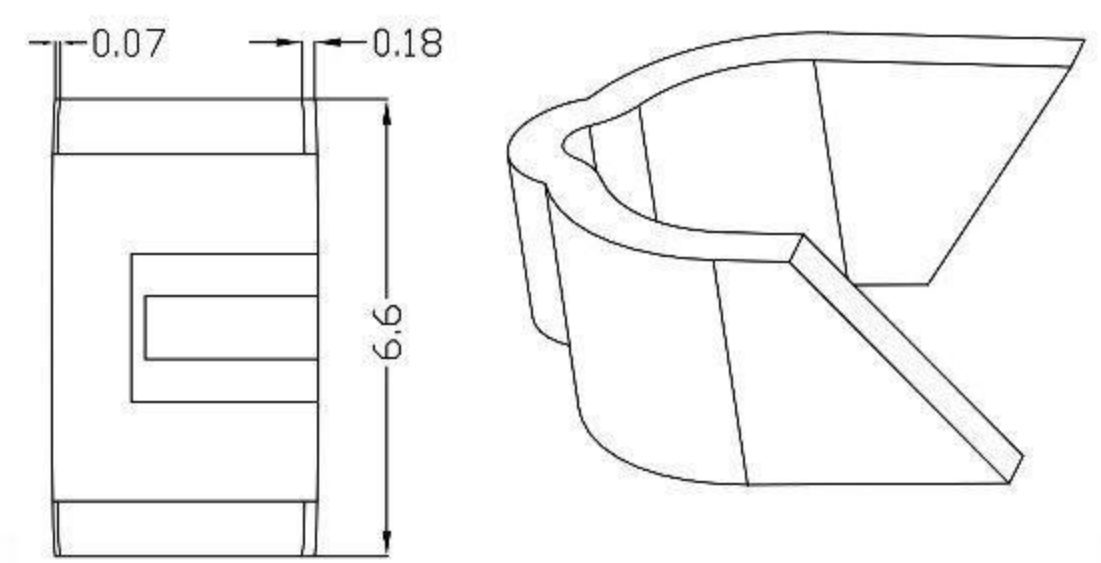
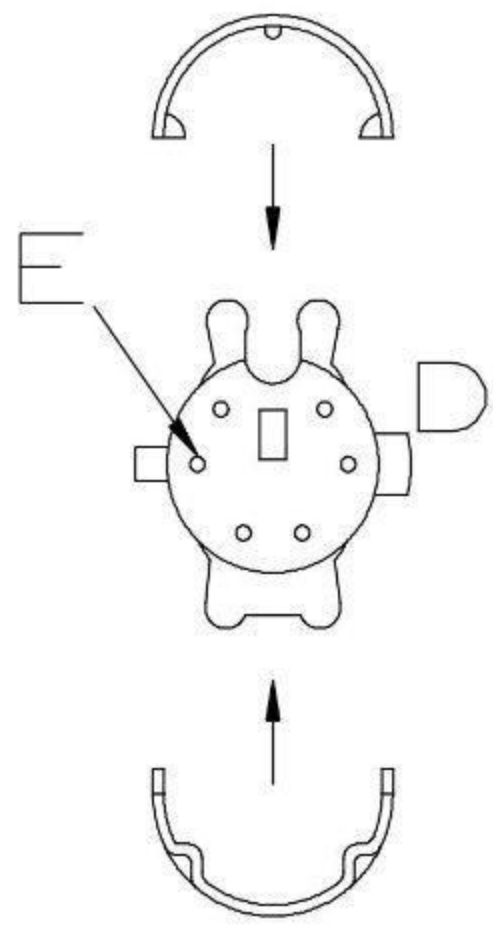
- 1.MATERIAL:Fe 0.8t
NICKEL PLATED

E

E

F

F



G

G

RoHS Compliant **HSM** 玄茂科技股份有限公司
HSUAN MAO TECHNOLOGY CO., LTD.

APPD. 核准 BETTY	SCALE 比例 参考	TOLERANCE .X± 0.2 .XX± 0.1	PART NAME 品名 MINI DIN ASSEMBLY TYPE XXP MALE NICKEL SHELL MACHINED PIN WITH CABLE CLAMP SILVER PLATING ROHS
DWG. 製圖 KAREN	UNIT 單位 MM	SIZE 紙張尺寸 A4	PART NO. 料號 C8011-XXMBVB0(1,2)R
DATE 制表日 2014/08/18	PAGE 張數 1 OF 1	REV. 版本 A	

H

H

1 2 3 4 5 6 7 8