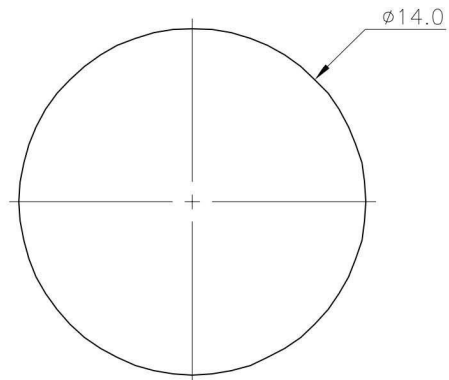


UNLESS OTHERWISE SPECIFIED, TOLERANCE ON DECIMAL:±0.3

RECOMMENDED PANEL CUTOUT



SPECIFICATION :

- CURRENT CARRYING CAPACITY
 - AC : 100V 1A MAX.
 - DC : 12V 2A MAX.
- CONTACT RESISTANCE : 30m OHM MAX.
- INSULATION RESISTANCE : 50M OHM MIN. AT DC 250V.
- VOLTAGE WITHSTAND : AC 250V FOR ONE MINUTE.
- INSERTION FORCE : 4.5 KG MAX.
WITHDRAWAL FORCE : 0.5 - 3.0 KG
- THE OPERATING TEMPERATURE: -40°C ~ +85°C.
- THE LIFE CYCLES: 1000 CYCLES.

T:1.6 Dimensions of PC board holes
Tolerance : ±0.05(Printed-top view)

ARRANGEMENT OF CONTACTS					
NO. OF CONTACTS	4	5	6	7	8
MODEL NO.	C8097-04PVBY00R	Not available	C8097-06PVBY00R	Not available	Not available
HOLE LAYOUT					

3	GROUND CONTACT	1	C2680	t=0.4	Cu/Sn PLATED
2	CONTACT FOOT	4~8	C5191	t=0.2	Ag PLATED
1	HOUSING	1	PBT 4815		UL-94V0(BLACK)
LTR	PART NAME	QTY	MATERIAL	REMARK	
RoHS Compliant		HSM 玄茂科技股份有限公司 HSUAN MAO TECHNOLOGY CO., LTD.			
APPD. 核准	ABBY	SCALE 比例	参考	TOLERANCE 容許公差	PART NAME 品名
DWG. 製圖	HELEN	UNIT 單位	MM	0 ± .00 ± ANG ±	MINI DIN JACK SCREW TYPE XXP VERTICAL TYPE WITH NUT PIN: SILVER PLATED ROHS
DATE 制表日	2023/8/9	PAGE 張數	1 OF 1	REV. 版次	B
				PART NO.	C8097-XXPVBY00R
				料號	C8097-XXPVBY00R