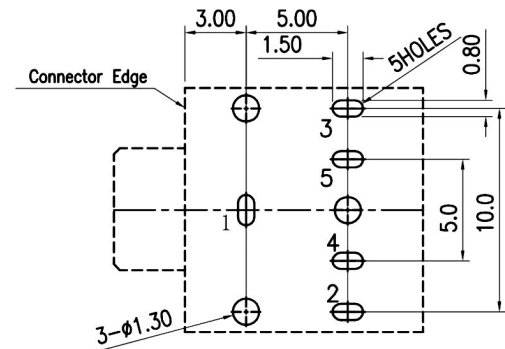
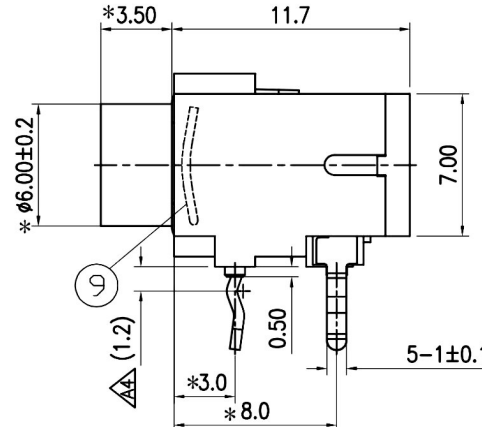
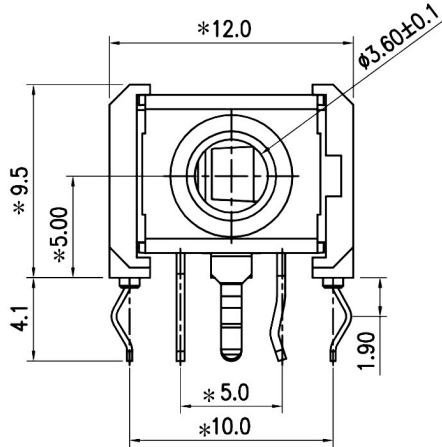


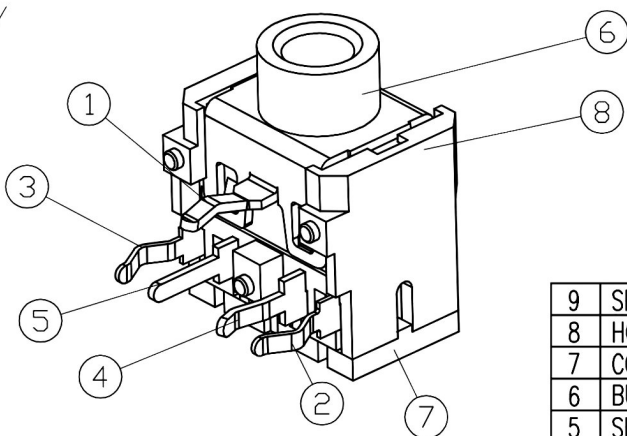
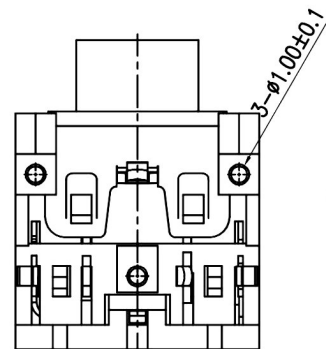
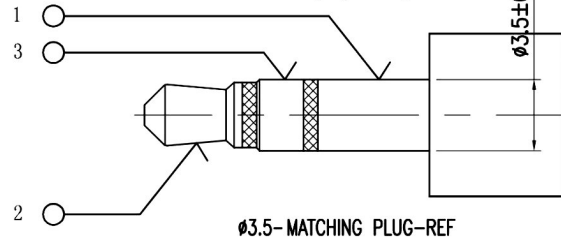
1 2 3 4 5 6 7 8

A  
B  
C  
D  
E  
F  
G  
H

A  
B  
C  
D  
E  
F  
G  
H

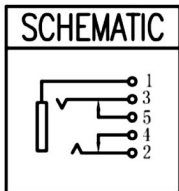


Recommend of PC Board Holes  
Tolerance : ±0.05(Top view)



Notes:  
 1. Electrical Characteristics:  
 1-1. Rating : DC 30V 0.5 A ;  
 1-2. Contact Resistance: 50mΩ Max.(Initial),  
 100mΩ Max.(Final) After test: ≤50mΩ ;  
 1-3. Dielectric Withstanding Voltage: 500V AC for One Minute ;  
 1-4. Insulation Resistance: 100MΩ Min. Measured By 500 VDC;  
 2. Mechanical Characteristics:  
 2-1. Plug Insertion Force 0.3~3.0Kgf (initial),  
 0.3~3.0Kgf (Final) life test;  
 2-2. Plug Extraction Force: 0.3~3.0Kgf (initial),  
 0.3~3.0Kgf (Final) life test;  
 3. Durability Test: 5,000 Cycles min;  
 4. Operating temperature:-25°C ~ +70°C;  
 5. Soldering Heat Resistance Wave soldering 230° C;  
 6. Plug Interface Dimensions Conform To EIAJ RC-5325A Spec;  
 7. Packaging: Plastic Tray;

9	SPRING	1	SWC	Ni PLATED
8	HOUSING	1	PA66	BLACK
7	COVER	1	PBT	BLACK
6	BUSHING	1	HPB59-3	Ni PLATED
5	SHUNT TERMINAL	1	C2680 t=0.40	Sn PLATED
4	SHUNT TERMINAL	1	C2680 t=0.40	Sn PLATED
3	RING SPRING	1	C5191 t=0.25	Sn PLATED
2	TIP SPRING	1	C5191 t=0.30	Sn PLATED
1	EARTH TERMINAL	1	C2680 t=0.50	Sn PLATED
LTR	PART NAME	QTY	MATERIAL	REMARK



RoHS Compliant		<b>HSM 玄茂科技股份有限公司</b> <b>HSUAN MAO TECHNOLOGY CO., LTD.</b>	
APPD. 核准 HELEN	SCALE 比例 参考	TOLERANCE XX ±0.30 XX' ±1 XXX ±0.25 XXX' ±1 XXXX ±0.20	PART NAME 品名 3.5ΦPHONE JACK 5P WITH METAL RING WITH BRACKET BLACK COLOR ROHS
DWG. 製圖 ABBY	UNIT 單位 MM	SIZE. 紙張尺寸 A 4	PART NO. 料號 C8103-05MYTB00R
DATE 製表日 2019/08/06	PAGE 張數 1 OF 1	REV. 版次 B	

1 2 3 4 5 6 7 8