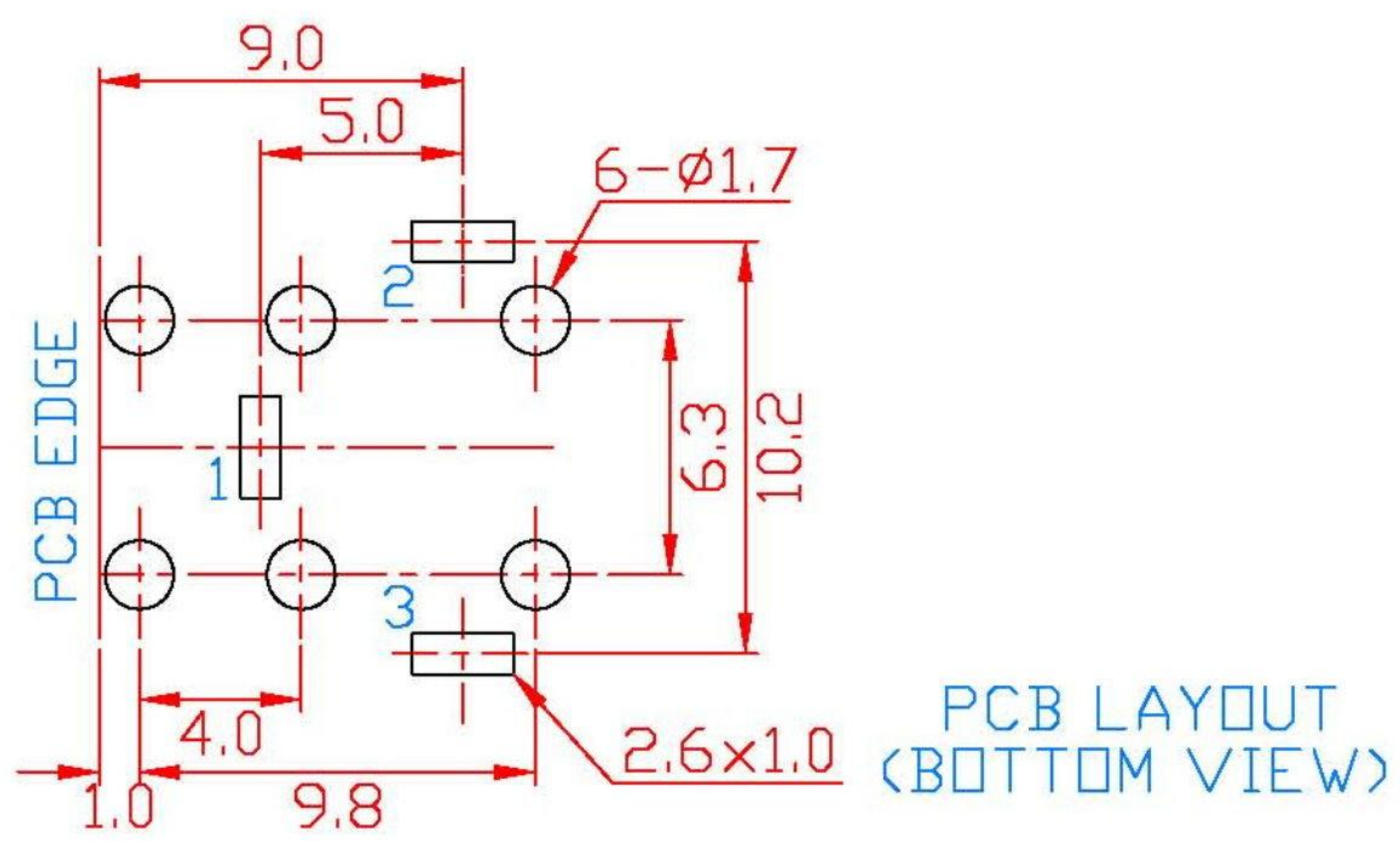
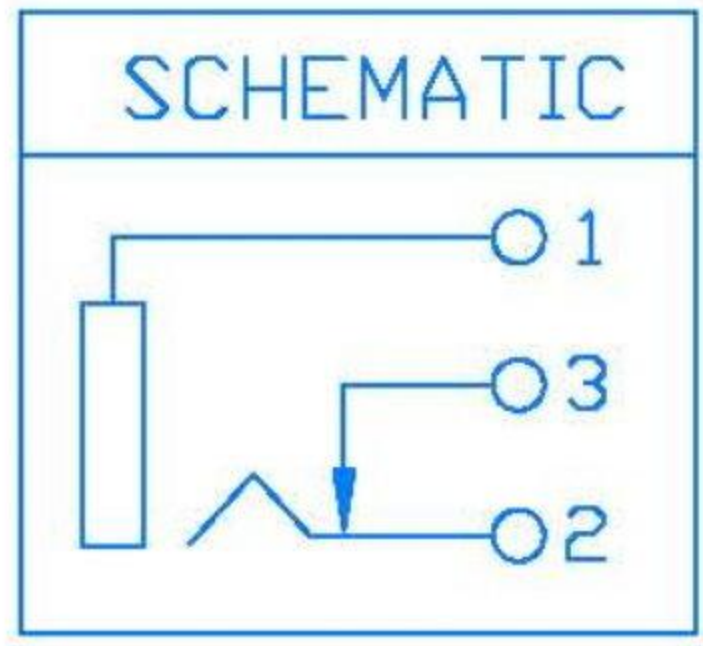


**Specification:**  
 Contact Resistance: 30m Ohm Max. At AC 100mA Max.1KHz.  
 Insulation Resistance: 100M Ohm Min. At 500V DC.  
 Rated Voltage And Current: DC 12V,2A Max.  
 Dielectric Withstanding Voltage: 500VAC At 60Hz For 1 Minute.  
 Durability (Life Test): 4000 Cycles.  
 Insertion Force: 0.3~3.0 Kg.  
 Extraction Force: 0.3~3.0 Kg.



NO.	NAME	MATERIAL	FINISH	Q'TY
1	BARREL	BRASS T:0.4	NICKEL PLATED	1
2	SPRING TERMINAL	PHOS. BRONZE T:0.30	TIN PLATED	1
3	TERMINAL	BRASS T:0.4	TIN PLATED	1
4	HOUSING	PBT G.F.	RED	1

RoHS Compliant APPD. 核准 HELEN DWG. 製圖 ABBY DATE 制表日 2012/10/24		<b>HSM 玄茂科技股份有限公司</b> <b>HSUAN MAO TECHNOLOGY CO., LTD.</b>		TOLERANCE 容許公差 X ±0.38 .X ±0.25 .XX ±0.13 .XXX ±0.05		PART NAME 品名 RCA JACK RIGHT ANGLE 3P W/6 PLASTIC POSTS RED INSULATOR ROHS	
UNIT 單位 MM PAGE 張數 1 OF 1		SCALE 比例 參考 SIZE. 紙張尺寸 A4 REV. 版次 A		PART NO. 料號 C8105-03BTR000R			