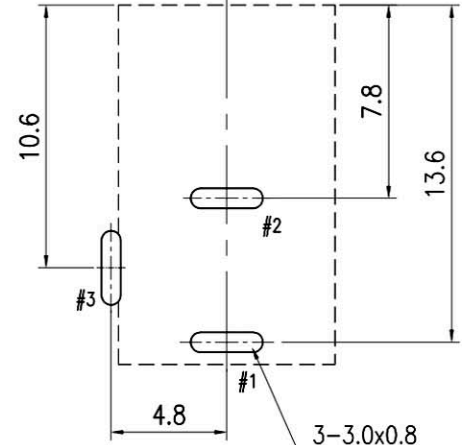
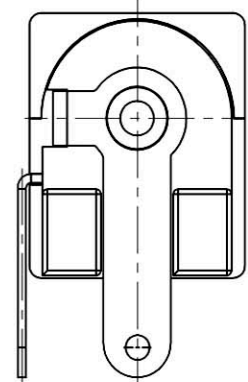
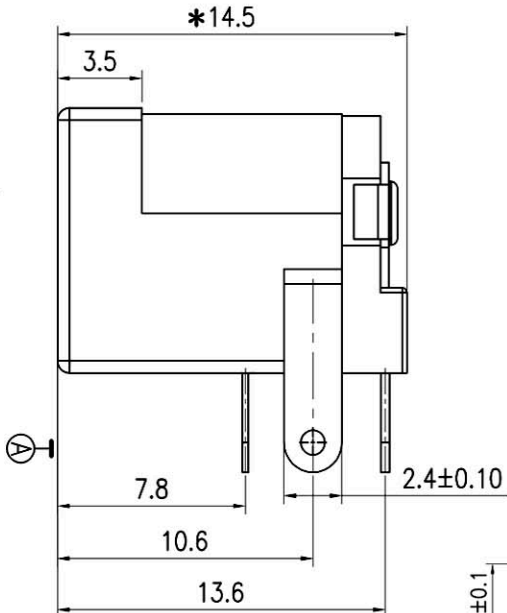
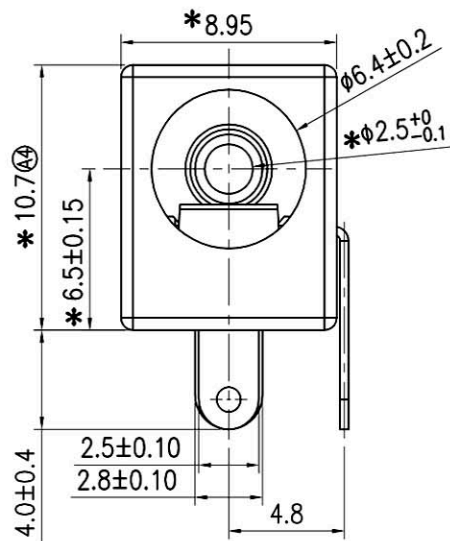
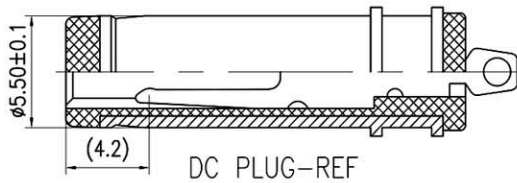


1 2 3 4 5 6 7 8

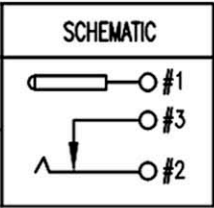
A
B
C
D
E
F
G
H



Recommend of PC Board Holes
Tolerance : ±0.05(Top view)



- Notes:
- Electrical Characteristics:
 - Rating : DC 20 V 2 A ;
 - Contact Resistance: 50mΩ Max.(Initial), 100mΩ Max.(Final) After test: ≤50mΩ ;
 - Dielectric Withstanding Voltage: 500V AC for One Minute ;
 - Insulation Resistance: 100MΩ Min. Measured By 500 VDC;
 - Mechanical Characteristics:
 - Plug Insertion Force 0.3~3.0Kgf (initial), 0.3~2.0Kgf (Final) life test;
 - Plug Extraction Force: 0.3~3.0Kgf (initial), 0.3~2.0Kgf (Final) life test;
 - Durability Test: 5,000 Cycles min;
 - Operating temperature:-25°C ~ +70°C;
 - Soldering Heat Resistance Wave soldering 230°C;
 - Plug Interface Dimensions Conform To EIAJ RC-5321 Spec;
 - Packaging: Plastic Bag;



6	COVER	1	PBT	UL-94V0(BLACK)
5	HOUSING	1	PBT	UL-94V0(BLACK)
4	PIN	1	COPPER ALLOY	Ni PLATED
3	CURVE PIECE	1	C2680	t=0.35 MB:Ni Sn PLATED
2	SPRING	1	C5210	t=0.25 MB:Ni Sn PLATED
1	FLAT PIECE	1	C2680	t=0.35 MB:Ni Sn PLATED

RoHS Compliant

HSM 玄茂科技股份有限公司
HSUAN MAO TECHNOLOGY CO., LTD.

APPD. 核准 Betty		TOLERANCE X ±0.30 .X° ±3° XX ±0.20 .XX° ±1° XXX ±0.15	PART NAME 品名 DC POWER JACK φ2.5 RIGHT ANGLE TYPE TIN PLATED BLACK INSULATOR ROHS
DWG. 製圖 Lena		SCALE 比例 參考	
DATE 制表日 2023/3/23	UNIT 單位 MM	SIZE 線規尺寸 A4	PART NO. 料號 C8111-DCRTB000R
	PAGE 張數 1 OF 1	REV. 版本 C	

1 2 3 4 5 6 7 8