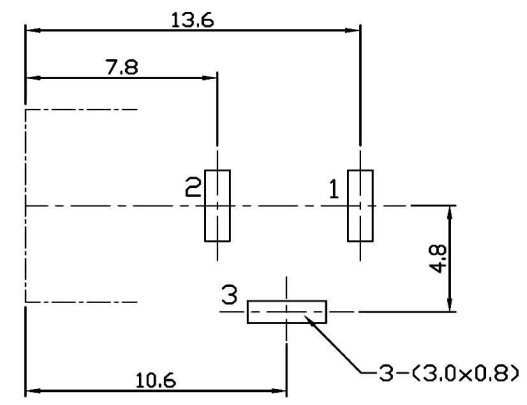
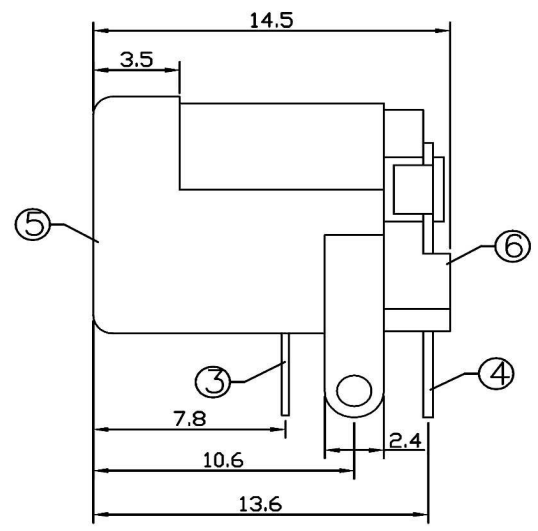
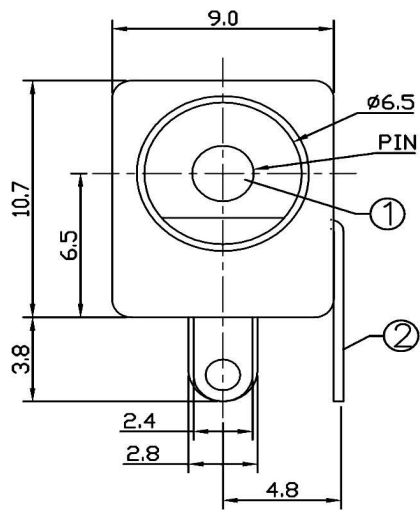


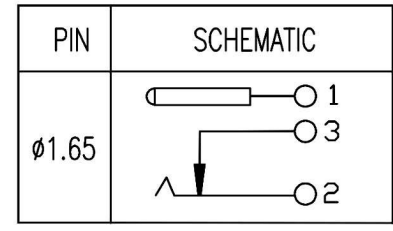
1 2 3 4 5 6 7 8

A  
B  
C  
D  
E  
F  
G  
H

A  
B  
C  
D  
E  
F  
G  
H



T:1.6 Dimensions of PC board holes  
Tolerance : ±0.05(Printed-top view)



UNLESS OTHERWISE SPECIFIED, TOLERANCE ON DECIMAL: ±0.3

6	COVER	1	PBT 4815	UL-94V0(BLACK)
5	HOUSING	1	PBT 4815	UL-94V0(BLACK)
4	FLAT PIECE	1	C2680 t=0.4	Sn PLATED
3	SPRING	1	C5191 t=0.3	Sn PLATED
2	CURVE PIECE	1	C2680 t=0.4	Sn PLATED
1	PIN	1	H59(COPPER ALLOY)	Ni PLATED
LTR	PART NAME	QTY	MATERIAL	REMARK

<p>RoHS Compliant</p>	<p><b>HSM</b> 玄茂科技股份有限公司 HSUAN MAO TECHNOLOGY CO., LTD.</p>
<p>APPD. 核准</p>	<p>PART NAME 品名</p>
<p>DWG. 製圖</p>	<p>DC POWER JACK ∅1.65 RIGHT ANGLE TYPE NICKEL PLATED BLACK INSULATOR ROHS</p>
<p>DATE 制表日</p>	<p>PART NO. 料號</p>
<p>2015/06/18</p>	<p>C8111-FCRNB000R</p>

1 2 3 4 5 6 7 8