

1 2 3 4 5 6 7 8

A

B

C

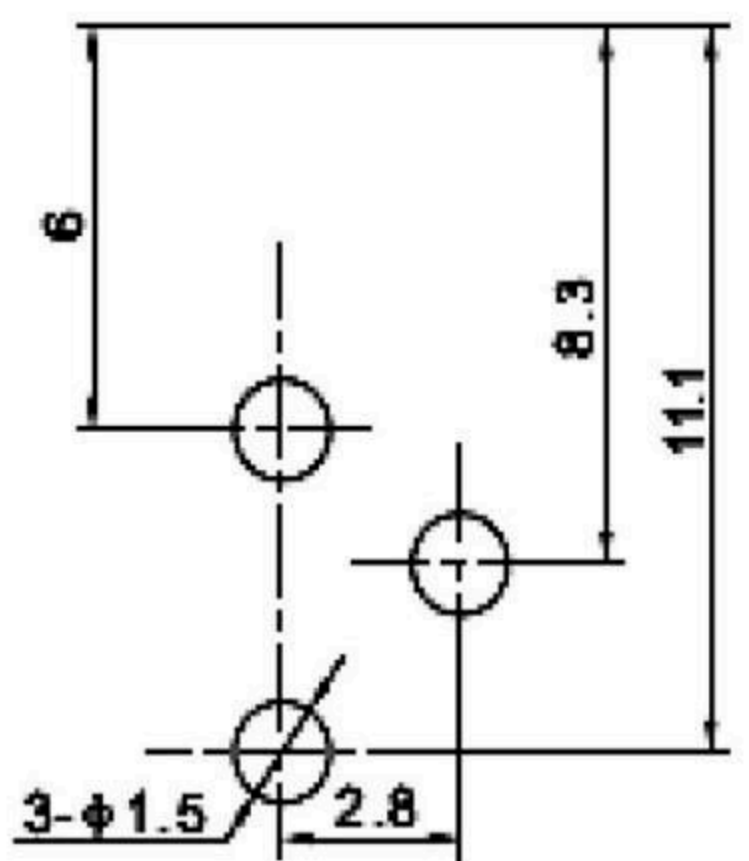
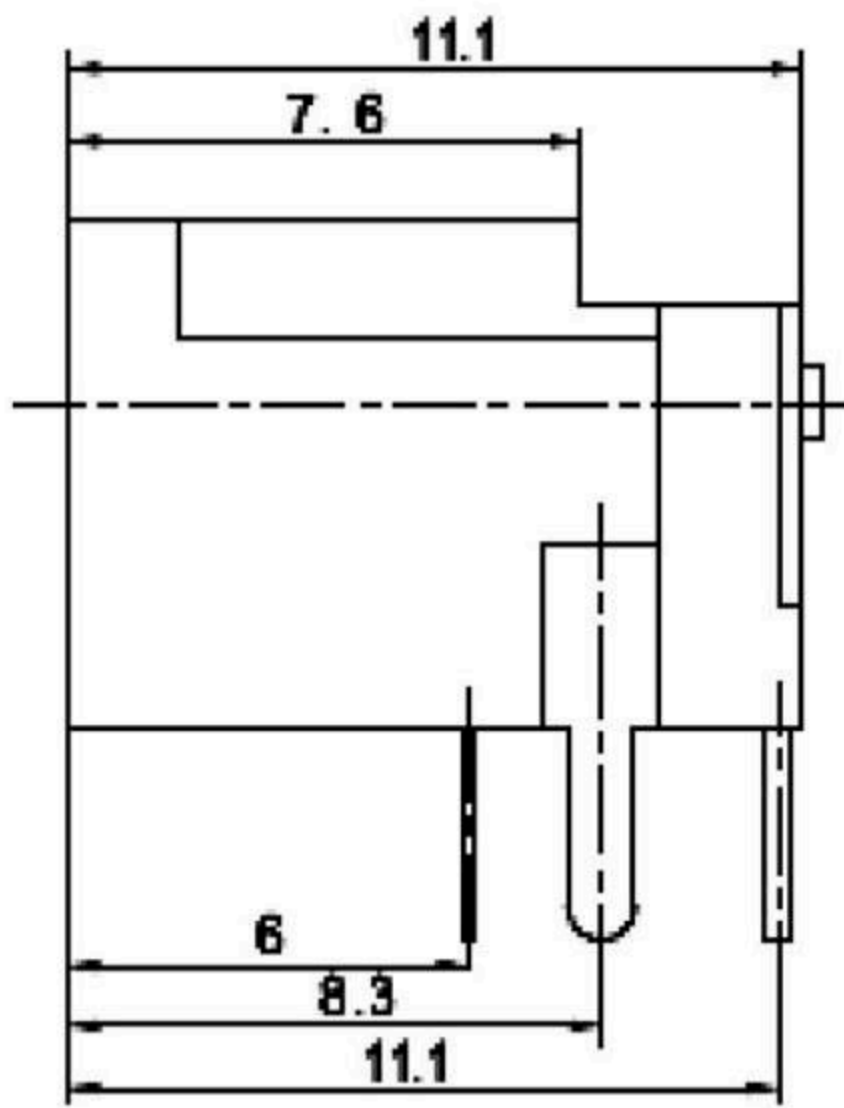
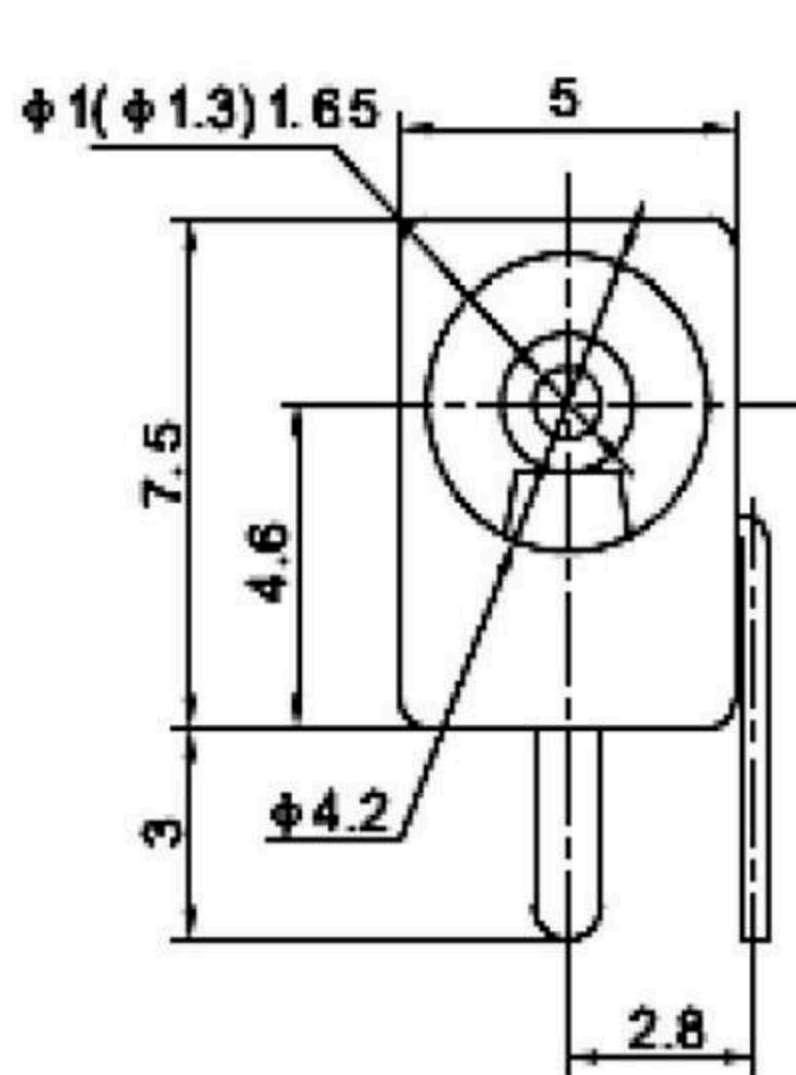
D

E

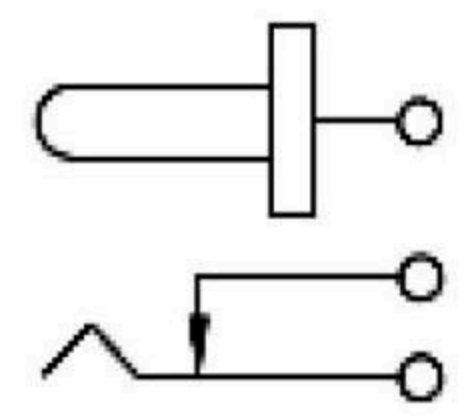
F

G

H



P.C.B LAYOUT



6	COVER	PBT/PA	1	BLACK
5	HOUSING	PBT/PA	1	BLACK
4	FLAT PIECE	BRASS/SUS	1	Sn-Platin
3	SPRING	BRASS/SUS	1	Sn-Platin
2	CURVE PIECE	BRASS/SUS	1	Sn-Plating
1	PIN	BRASS/SUS	1	Ni-Plating
NO.	DESCRIPTION	MATERAL	QTY.	PLATING

RoHS
Compliant

HSM 玄茂科技股份有限公司
HSUAN MAO TECHNOLOGY CO., LTD.

APPD. 核准		TOLERANCE 容許公差
DWG. 製圖	SCALE 比例	.X ±0.1 .XX ±0.05
DATE 制表日	UNIT 單位	SIZE 紙張尺寸
2014/5/20	M M	A 4
	PAGE 張數	REV. 版次
	1 OF 1	A

PART NAME 品名	DC POWER JACK RIGHT ANGLE PIN :1.3mm NORMAL CLOSE FLAT TYPE TIN PLATED BLACK COLOR ROHS
PART NO. 料號	C8112-ACFTB000R

1 2 3 4 5 6 7 8