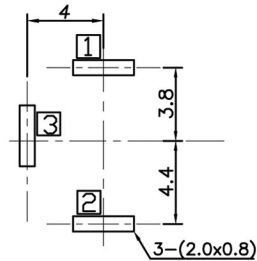
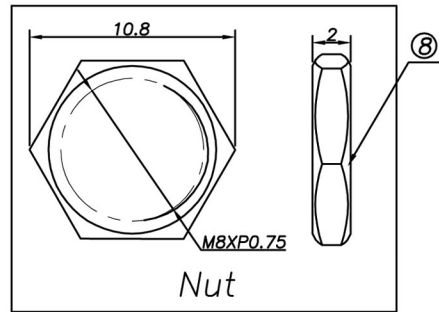


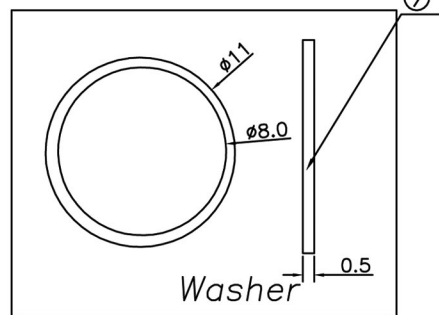
Plug



P. C. B LAYOUT TOP VIEW



Nut



Washer

Schematic		Pin	PART.No
		2.0mm	C8123-CCDYTB00R
		2.5mm	C8123-DCDYTB00R

NO.	DESCRIPTION	QTY	MATERIAL	PLATING
⑧	Nut	1	BARSS	Ni-Plating
⑦	Washer	1	Iron	Ni-Plating
⑥	Pin	1	BARSS	Ni-Plating
⑤	Bushing	1	BARSS	Ni-Plating
④	Shunt Terminal	③ 1	BARSS	Cu-Sn-Plating
③	Tip Spring	② 1	BARSS	Cu-Sn-Plating
②	Center pin terminal	① 1	BARSS	Cu-Sn-Plating
①	Housing	1	PBT	Black

SPECIFICATION

1. Rated Load : 30V 0.5A;
2. Contact resistance: $\leq 30m\Omega$;
3. Insulation resistance: $\geq 100M\Omega$;
4. Withstand voltage: AC500V ;
5. Insertion and extraction force: 3-30N;
6. life test: 5,000 cycles.

RoHS Compliant **HSM 玄茂科技股份有限公司**
HSUAN MAO TECHNOLOGY CO., LTD.

APPD. 核准		TOLERANCE 容許公差 .0 ± 0.1 .00 ± 0.05 ANG. ±	PART NAME 品名 DC POWER JACK DIP TYPE $\phi 2.0mm$ OR $\phi 2.5mm$ NORMAL CLOSE TIN PLATING WITH THREAD BLACK INSULATOR W/ASSY.(NUT+WASHER) ROHS
DWG. 製圖 Hedy	SCALE 比例 參考	UNIT 單位 MM	PART NO. 料號 C8123-XCDYTB00R
DATE 制表日 2019/07/15	PAGE 張數 1 / 1	REV. 版次 B	