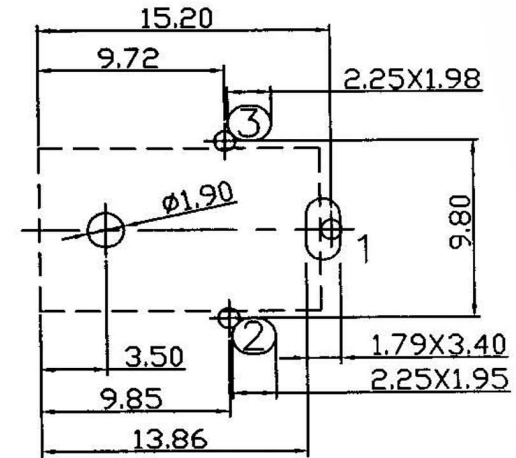
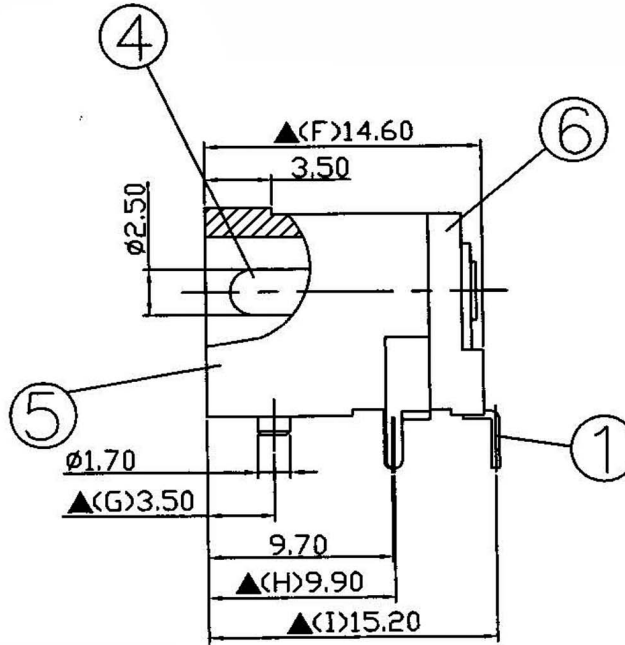
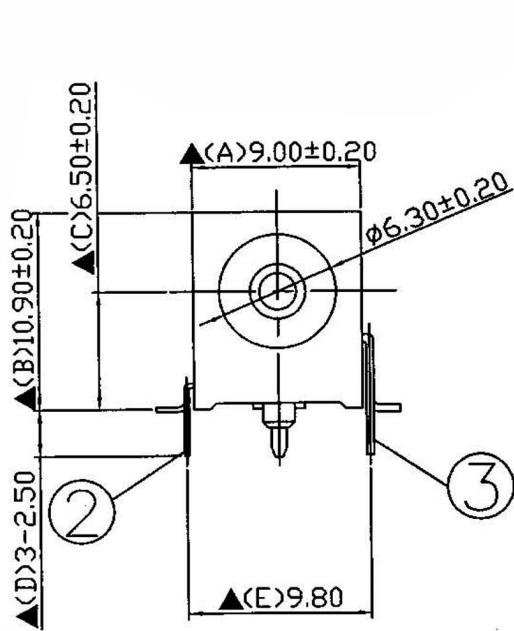
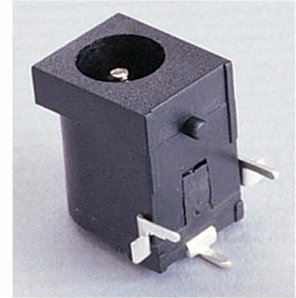


SPECIFICATIONS:

Contact Resistance : 30mΩ max
 Insulation Resistance : 100MΩ min. at DC 500V
 Dielectric Withstand Voltage : AC 500V for one minute
 Remark: ▲: The Most Important Dimension



Pin Hole Layout
(Jack Bottom View)

6.	Cover	PA9T	1	Black Color
5.	Housing	PA9T	1	Black Color
4.	Pin(2.5 ϕ)	Copper	1	Nickel Plated
3.	Break Terminal	0.4T Brass	1	Silver Plated
2.	Sleeve Spring	0.25T Phosphor Bronze	1	Silver Plated
1.	Pin Terminal	0.4T Brass	1	Silver Plated
NO.	Description	Material	Q'TY	Finish

RoHS Compliant	HSM 玄茂科技股份有限公司 HSUAN MAO TECHNOLOGY CO., LTD.	
APPD. 核准 BETTY	TOLERANCE 容許公差 0 ± 0.3 .00 ± ANG. ± SIZE. 紙張尺寸 A 4 REV. 版次 A	PART NAME 品名 DC POWER JACK PIN : 2.5mm NORMAL CLOSE FLAT TYPE SILVER PLATED BLACK INSULATOR WITH LOCATING PEG
DWG. 製圖 BETTY		PART NO. 料號 C8125-DCVBY000R
DATE 制表日 2009/06/15	UNIT 單位 M M PAGE 張數 1 OF 1	