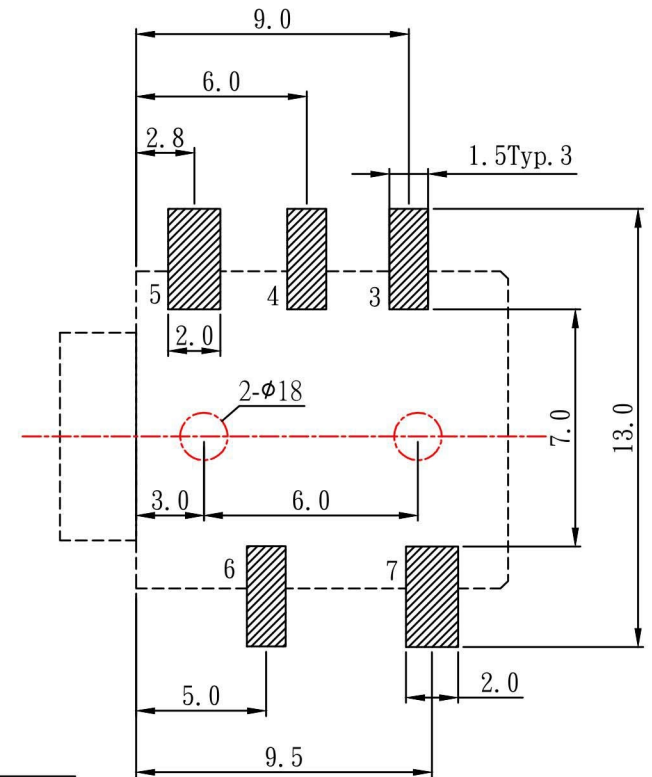
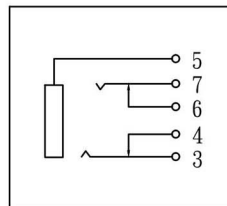


PCB LAYOUT TOP VIEW



3	TERMINAL	BRASS	5	Au-Plated
2	COVER	PA66	1	BLACK
1	HOUSING	PA66	1	BLACK
NO	DESCRIPTION	MATERIAL	QTY	PLATING

RATING:DC30V 0.3A  
 WITHSTAND VOLTAGE:AC500V(50Hz)/min  
 CONTACT RESISTANCE: ≤ 30mΩ  
 INSULATION RESISTANCE: ≥ 100MΩ  
 WITHDRAW FORCE:3-25N  
 LIFE TEST:5,000 cycles



**RoHS**  
Compliant

**HSM** 玄茂科技股份有限公司  
 HSUAN MAO TECHNOLOGY CO., LTD.

APPD.		TOLERANCE	PART NAME 品名
DWG.	SCALE 参考	.0 ± 0.3 .00 ± 0.25 ANG. ± 5°	3.5φ EARPHONE JACK 5P WITH TWO PLASTIC POSTS GOLD PLATING BLACK INSULATOR ROHS
DATE	UNIT M M	SIZE. A 4	PART NO.
2019/12/23	PAGE 1 OF 1	REV. B	料號 C8129-05CGBX00R