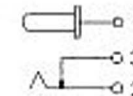
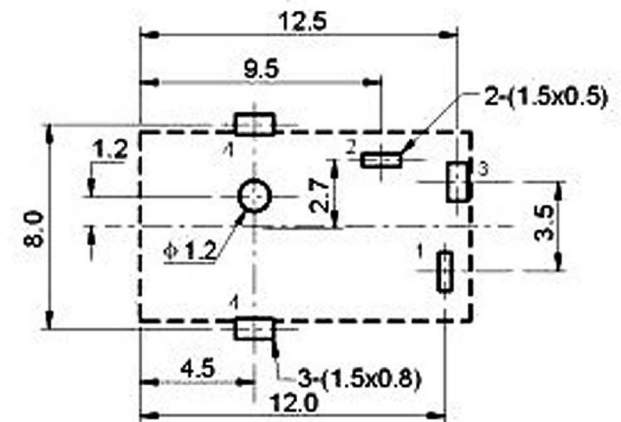


P.C.B LAYOUT TOP VIEW



RATING: DC30V 0.5A
 WITHSTAND VOLTAGE: AC500V(50Hz)/min
 CONTACT RESISTANCE: 50mΩ max
 INSULATION RESISTANCE: 100MΩ min
 WITHDRAW FORCE: 3-30N
 LIFE TEST: 5,000 cycles

3	HOUSING	PBT/PA	1	BLACK
2	TEMINAL	BRASS	3	Ag-Plating
1	PIN	BRASS	1	Ni-Plating
NO.	DESCRIPTION	MATERIAL	QTY.	PLATING

RoHS Compliant		HSM 玄茂科技股份有限公司 HSUAN MAO TECHNOLOGY CO., LTD.	
APPD. 核准 DWG. 製圖 Hedy DATE 制表日 2012/07/20	 TOLERANCE 容許公差 X±0.1 XX±0.05 SCALE 比例 參考 UNIT 單位 MM PAGE 張數 1 / 1	PART NAME 品名 DC POWER JACK RIGHT ANGLE TYPE PINφ1.65mm NORMAL CLOSE FLAT TYPE TIN PLATED WITH LOCATING POST(PLASTIC) WITH SHIELDED BLACK INSULATOR ROHS PART NO. 料號 C8131-FCTB0000R	H H