

1 2 3 4 5 6 7 8

A

B

C

D

E

F

G

H

A

B

C

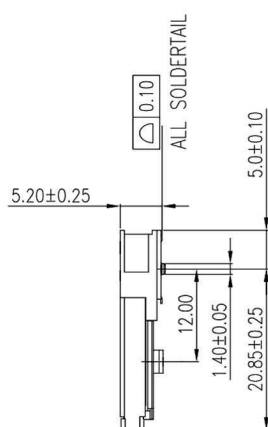
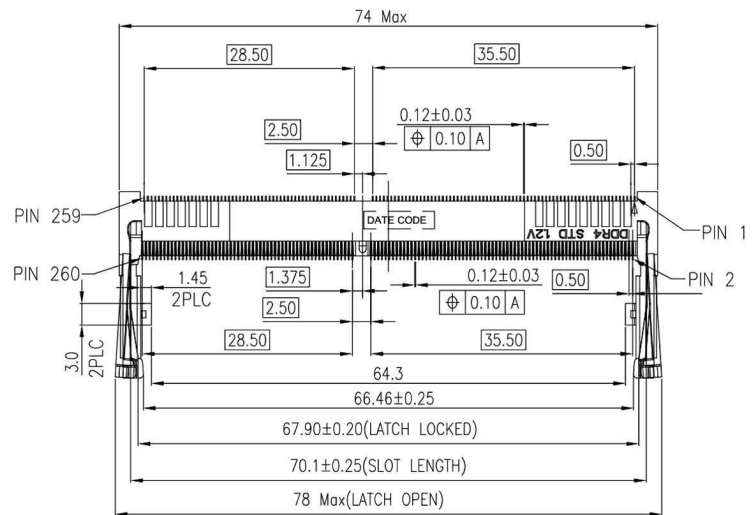
D

E

F

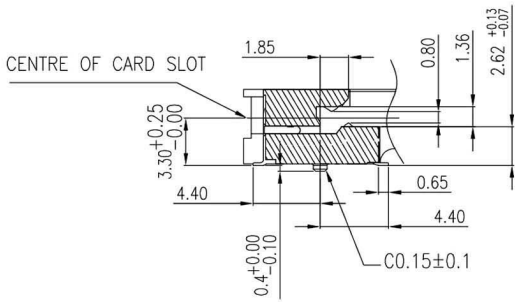
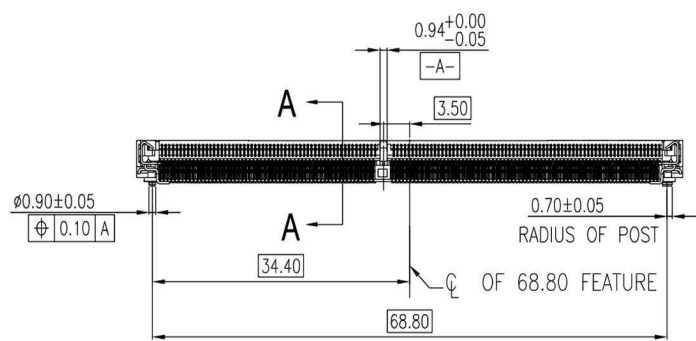
G

H

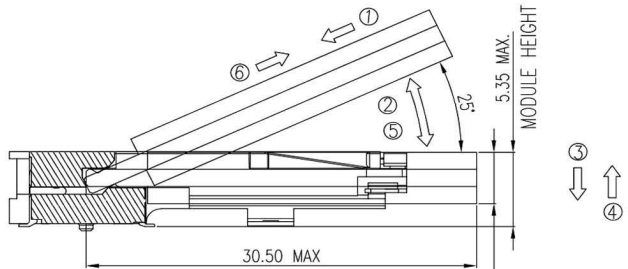


NOTES:

- Material:
 Housing: LCP, UL 94V-0 Rated.
 Color: Black.
 Contact: Phosphor Bronze.
 Plating: Gold Plating on Contact Area.
 Gold Flash Plating on Solder Tail.
 50u" Min. Nickel Underplating Over All.
 Solder Peg and Metal Latch: Stainless Steel.
 Plating: Gold Flash Plating on Solder Tail.
 50u" Min. Nickel Underplating Over All.



SECTION:A-A
SCALE 2:1



MATING/UNMATING VIEW
SCALE 2:1

MATING: ① INSERTING(30°) → ② ROTATING → ③ FIXED
 UNMATING: ④ UNFIXED → ⑤ ROTATING → ⑥ WITHDRAWING

RoHS Compliant		HSM 玄茂科技股份有限公司 HSUAN MAO TECHNOLOGY CO., LTD.	
APPD. 核准	SCALE 比例 参考	UNLESS OTHERWISE SPECIFIED DIMENSIONS ARE IN MM TOLERANCES ARE: DECIMALS ANGLES X ± .38 ± 3° XX ± .25 XXX ± .20	PART NAME 品名
DWG. 製圖 Betty	UNIT 單位 MM	SIZE. 紙張尺寸 A 4	DDR4 SO-DIMM RIGHT ANGLE SMT STANDARD TYPE H=5.2mm 260P 1.2V
DATE 制表日 2019/12/10	PAGE 張數 1 OF 2	REV. 版次 A	PART NO. 料號 C8169-R0CBLSBSR

1 2 3 4 5 6 7 8

