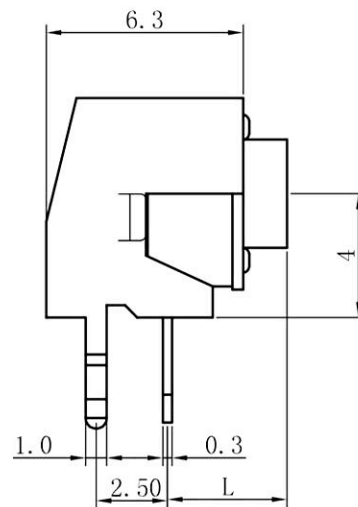
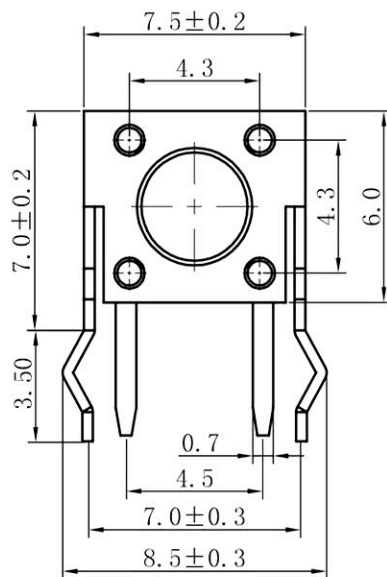


Knob Height(mm):(Option)

#	L	H	#	L	H	#	L	H
A	3.15	4.3	L	6.35	7.5	P	12.35	13.5
Q	3.35	4.5	G	6.85	8.0	J	12.85	14.0
B	3.85	5.0		7.85	9.0		13.15	14.5
	4.35	5.5		8.85	10.0	R	13.85	15.0
U	4.85	6.0	I	9.85	11.0		14.15	15.5
	5.35	6.5	M	10.85	12.0		14.85	16.0
C	5.85	7.0		11.85	13.0		15.85	17.0

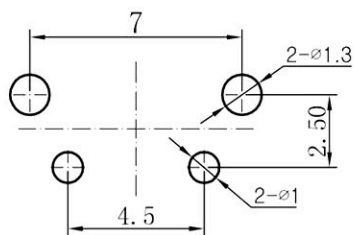


**MATERIAL:**  
 1.Stem:PPA,Black Color.  
 2.Bracket:Brass,t=0.35mm.Tin Plating.  
 3.Contact Form:Stainless Steel,Silver Plating.  
 4.Base:PPA,Black Color.  
 5.Terminal:Brass,t=0.35mm.Silver Plating.

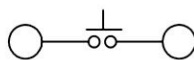


**SPECIFICATION:**

1. Temperature Range: -25~+85°C.
2. Voltage Rating: DC 12V 50mA.
3. Contact Resistance: ≤ 50mΩ.
4. Insulation Resistance: ≥ 100MΩ.
5. Withstand Voltage: AC 250V(50Hz) / min.
6. Operating force: "C":250±50gf or "A":160±50gf.
7. Life Test:100,000cycles



PCB LAYOUT



Circuit Diagram

RoHS  
Compliant

**HSM** 玄茂科技股份有限公司  
**HSUAN MAO TECHNOLOGY CO., LTD.**

APPD. 核准 HELEN  
 DWG. 製圖 ABBY  
 DATE 制表日 2024/05/07

SCALE 比例 參考  
 UNIT 單位 MM  
 PAGE 張數 1 OF 1

TOLERANCE 容許公差  
 0 ± 0.35  
 .00 ± 0.25  
 ANG. ± 3°  
 SIZE. 紙張尺寸 A4  
 REV. 版本 C

PART NAME 品名  
 TACT SWITCH RIGHT ANGLT TYPE  
 PORD. SIZE:6.0X7.5MM  
 OPERATING FORCE:160gf OR 250gf  
 BLACK COLOR BAG PACKING ROHS

PART NO.  
 料號 C8299-X(A,C)BB0000R