

P.C.B. LAYOUT



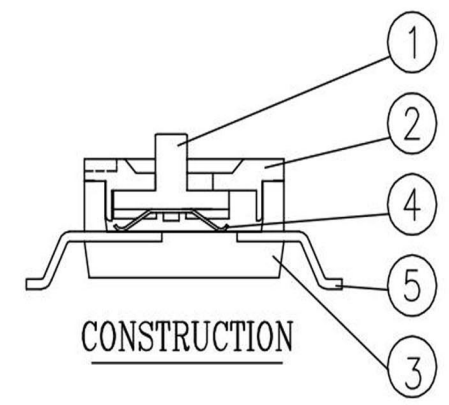
CIRCUIT DIAGRAM

ITEM	DES	MATERIALS	TREATMENT
1	ACTUATOR	UL94V-0 NYLON	MOLDED WHITE
2	COVER	UL94V-0 NYLON	MOLDED BLACK
3	BASE	UL94V-0 NYLON	MOLDED BLACK
4	CONTACT	BERYLLIUM COPPER	GOLD PLATED AT CONTACT AREA
5	TERMINAL	BRASS	GOLD PLATING

C8303-01LNJXB0R

W/ TAPE SEALED:  
C8303-01SYJXB0R

W/O TAPE SEALED:  
C8303-01SNJXB0R



CONSTRUCTION

RoHS Compliant		<b>HSM</b> 玄茂科技股份有限公司 HSUAN MAO TECHNOLOGY CO., LTD.	
APPD. 核准 Betty	SCALE 比例 参考 UNIT 單位 MM PAGE 張數 1 OF 1	TOLERANCE 0-4 ±0.05 4-16 ±0.1 16-50 ±0.15 SIZE 紙張尺寸 A 4 REV. 版次 D	PART NAME 品名 DIP SWITCH SMT TYPE 1P GOLD 3U" PLATING BLACK COLOR ROHS PART NO. 料號 C8303-01XXJXB0R
DATE 制表日 2016/06/01			