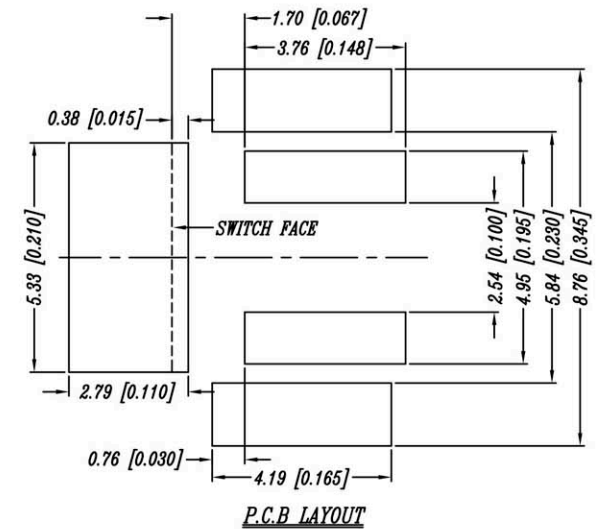
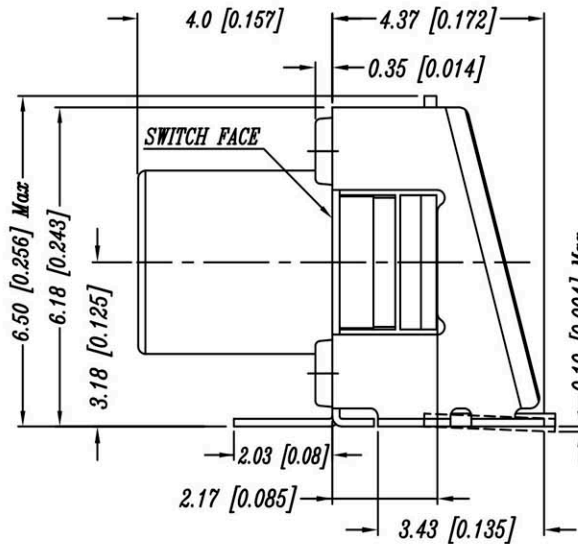
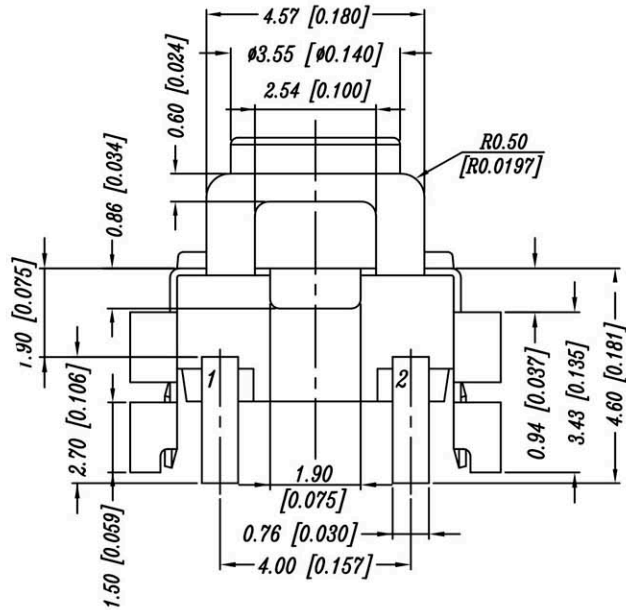
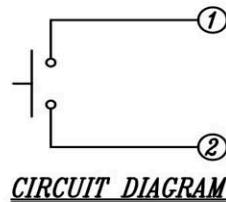


ITEM	DESC.	Q'TY	MATERIALS	TREATMENT
1	COVER	1	STAINLESS STEEL	WITH SILVER PLATING
2	STEM	1	□ & A=HIGH - TEMP THERMOPLASTIC NYLON UL94V - 0 S=SILICONE	-
3	CONTACT	1	STAINLESS STEEL	①WITH SILVER PLATING ②GOLD PLATED
4	BLOCK	1	HIGH - TEMP THERMOPLASTIC NYLON UL94V - 0	MOLDED BLACK
5	SEAL	1	SILICONE RUBBER	-
6	BASE	1	HIGH-TEMP THERMOPLASTIC LPC	MOLDED BLACK
7	TERMINAL	1	BRASS	①WITH SILVER PLATING ②GOLD PLATED



NOTE:
 1. ALL DIMENSIONS ARE IN MILLIMETERS, BRACKETED DIMENSIONS ARE IN INCHES.
 2. GENERAL TOLERANCES MAX ± 0.20mm.



RoHS Compliant		HSM 玄茂科技股份有限公司 HSUAN MAO TECHNOLOGY CO., LTD.	
APPD. 核准 DWG. 製圖 DATE 制表日 2017/5/16	SCALE 比例 參 考 UNIT 單位 M M PAGE 張數 1 OF 1	TOLERANCE 容許公差 0 ± 0.2 .00 ± 0.15 ANG. ± 2° SIZE 紙張尺寸 A 4 REV. 版本 A	PART NAME 品名 TACT WITCH RIGHT ANGLE SMT TYPE 4.37x6.3mm KONB HEIGHT : 4.0mm OPERATING FORCE:260g RED COLOR REEL PACKING ROHS PART NO. 料 號 C8312-CBRR0000R