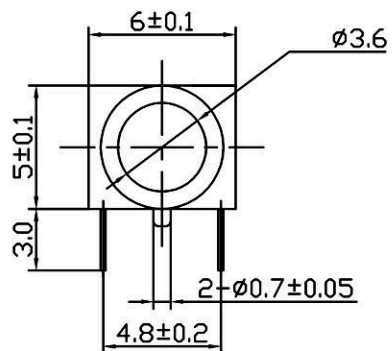
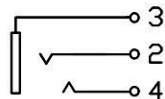
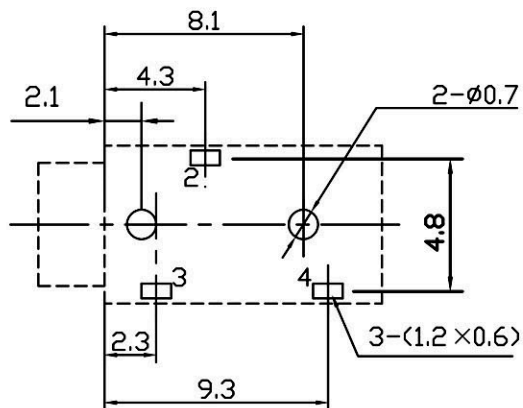


P. C. B LAYOUT TOP VIEW



Specification:  
 Rating: 30V 0.5A  
 Contact resistance: ≤30mΩ  
 Insulation resistance: ≥100MΩ  
 Withstand voltage: AC500V(50Hz)/min  
 Insertion&Extraction force: 3~20N  
 Life test: 5000Cycles



RoHS Compliant **HSM** 玄茂科技股份有限公司  
 HSIUAN MAO TECHNOLOGY CO., LTD.

APPD. 核准 Betty		TOLERANCE 容許公差	PART NAME 品名
DWG. 製圖 Lena		0 ± 0.35 .00 ± 0.25 ANG. ± 3°	
DATE 制表日 2024/01/25	UNIT 單位 MM	SIZE 紙張尺寸 A4	PART NO. 料號 C8523-03CTB000R
	PAGE 張數 1 OF 1	REV. 版本 A	

HOUSING	1	PBT	BLACK
TERMINAL	3	PHOSPHOR BRONZE	TIN PLATED
PART NAME	Q'TY	MATERIAL	REMARK

1 2 3 4 5 6 7 8